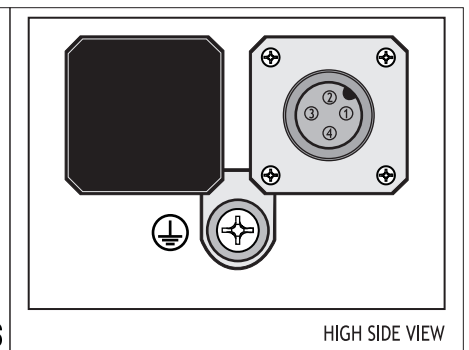
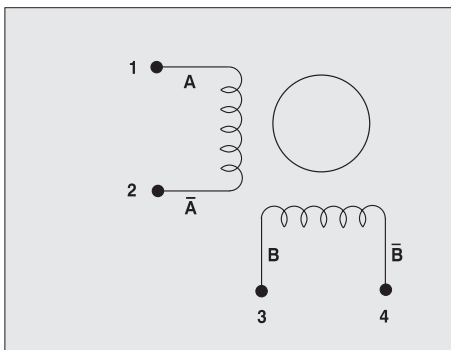


Dimensions in mm.

**FEATURES**  
**CARATTERISTICHE**

| MODEL<br>MODELLO                     |  | SP 2566-5200                               |
|--------------------------------------|--|--|
| BASIC STEP ANGLE                     |  | 1.8 ± 0.09°                                |
| BIPOLAR CURRENT                      | (Amp)                                  | 3  |
| RESISTANCE                           | (Ohm)                                  | 0.94                                       |
| INDUCTANCE                           | (mH)                                   | 4.4  |
| BIPOLAR HOLDING TORQUE               | (Ncm)                                  | 170  |
| ROTOR INERTIA                        | (Kgm <sup>2</sup> x 10 <sup>-7</sup> ) | 360  |
| THEORETICAL ACCELERATION             | (rad x sec. <sup>-2</sup> )            | 47200                                      |
| BACK E.M.F.                          | (V/Krpm)                               | 55   |
| MASS                                 | (Kg)                                   | 1.2  |
| INTERNATIONAL STANDARDS              |  | UL, CSA, CE, RoHS                          |
| INSULATION VOLTAGE                   | (V)                                    | 250 V <sub>AC</sub> (350 V <sub>DC</sub> ) |
| PROTECTION DEGREE - INSULATION CLASS |  | IP65 - F                                   |

R.T.A. s.r.l. PAVIA (ITALY) SANYO DENKI CO., Ltd (JAPAN)



Allegato EMC 10-14 (Ed. 04-09-17)

**Suggested driver: contact R.T.A.**



R.T.A. s.r.l.  
Via E. Mattei - Fraz. Divisa  
27020 MARCIGNAGO (PV) ITALY  
Tel. +39.0382.929.855 - Fax +39.0382.929.150  
www.rta.it

R.T.A. Deutschland GmbH  
Bublitzer Straße 34  
40599 DÜSSELDORF (Germany)  
Tel. +49.211.749.668.60 - Fax +49.211.749.668.66  
www.rta-deutschland.de

R.T.A. IBERICA-Motion Control Systems S.L.  
C/Generalitat 22, 1° 3°  
08850 GAVA - BARCELONA (Spain)  
Tel. +34.936.388.805 - Fax +34.936.334.595  
www.rta-iberica.es