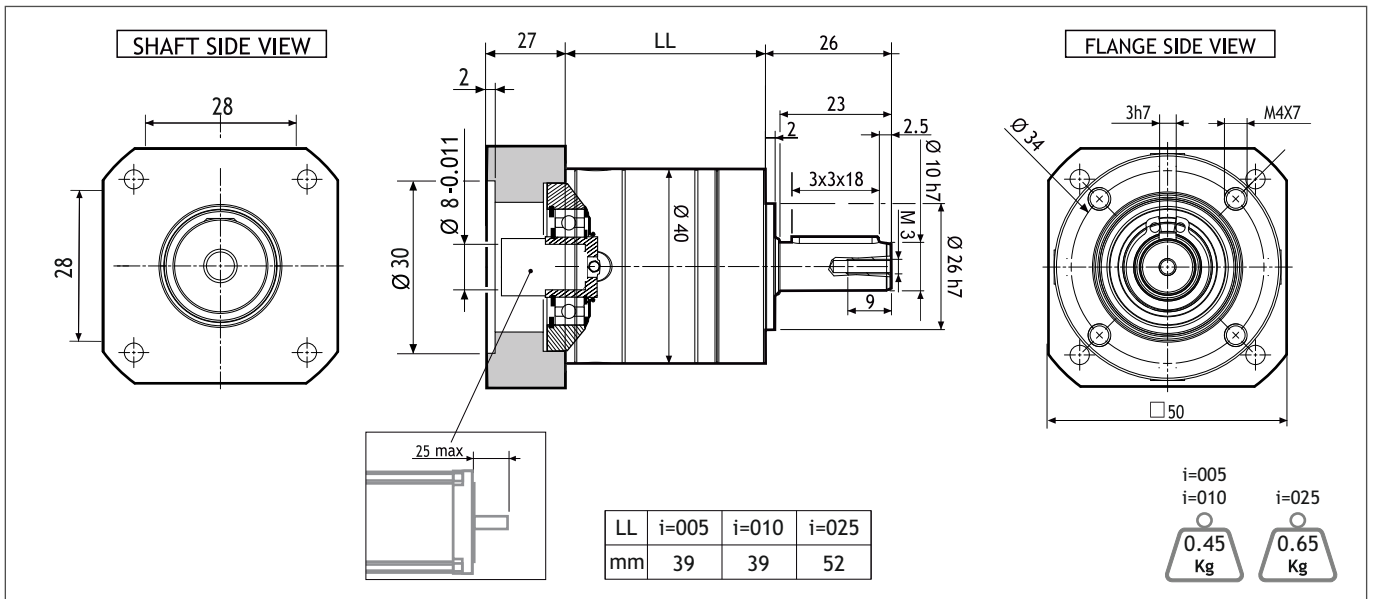


SG P12-040-0XX-1X-R2-0100

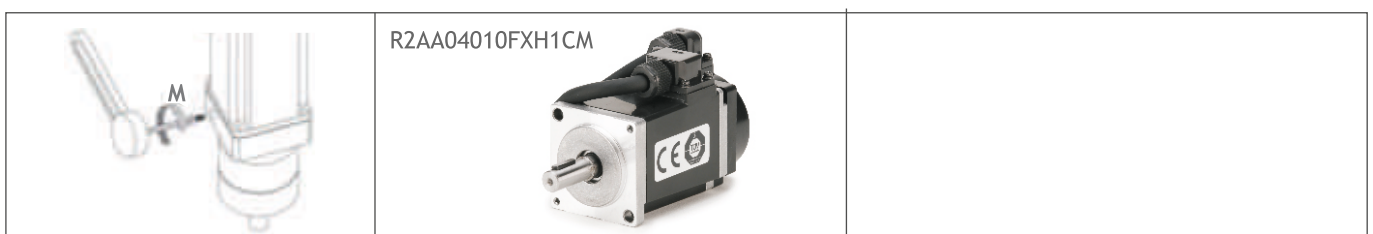


Dimensions (Units:mm)



MODEL	Rated output torque [Nm]	Maximum acceleration output torque [Nm]	Emergency step output torque [Nm]	Backlash [arcmin]	Nominal input speed [min ⁻¹]	Maximum momentary input speed [min ⁻¹]	Torsional stiffness [Nm/arcmin]	Maximum radial force applying on output shaft [N]	Maximum axial force applying on output shaft [N]	Gear efficiency [%]	Gear moment of inertia [Kg ^m ²]
SG-P12-040-005-15-R2-0100	12	18	30	15'	5000	8000	0.8	220	200	98	1.6x10 ⁻⁶
SG-P12-040-010-15-R2-0100	6	9	25	15'	5000	8000	0.8	220	200	98	1.2x10 ⁻⁶
SG-P12-040-025-19-R2-0100	12	18	30	<19'	5000	8000	0.8	220	200	97	1.5x10 ⁻⁶

Suggested motors



MOUNTING OPERATION MODE: ■ Tightening torque M=5 Nm ■ Locking bolt M4 ■ R.T.A. Quality Control



R.T.A. s.r.l.
Via E. Mattei - Fraz- Divisa
27020 Marcignago (PV) (Italy)
T +39.0382.929.855
F +39.0382.929.150
www.rta.it

R.T.A. Deutschland GmbH
Bublitzer Strasse 34, 40599
Duesseldorf (Germany)
T +49.211.749.668.60
F +49.211.749.668.66
www.rta-deutschland.de

R.T.A. IBERICA
C/Generalitat 22, Local 1
08850 Gava - Barcelona (Spain)
T +34 936.388.805
F +34 936.334.595
www.rta-iberica.es

R.T.A. INDIA Pvt
Teerth Business Center 3rd Floor, Unit No. 7,
Block EL-15, MIDC Bhosari Pimpri-Chinchwad,
Pune 411026 (India)
Tel. +91 9422507445
www.rta-india.in