

SG-P11-070-0XX-12-R2-0X00-00000

i=003

i=005

i=010



PLANETARY GEARBOXES

SG 070

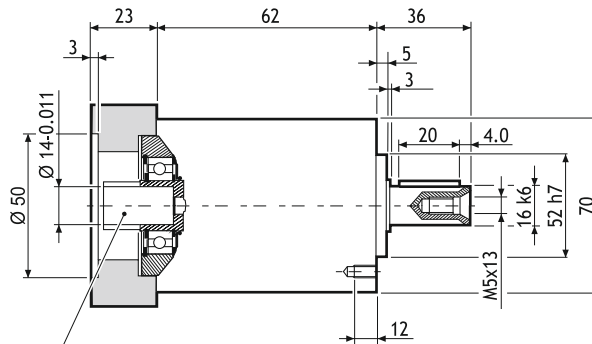
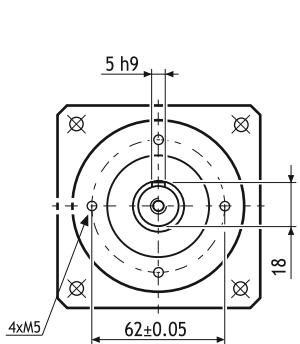
φ=12'

MADE IN ITALY

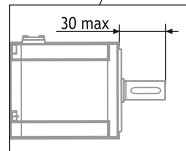
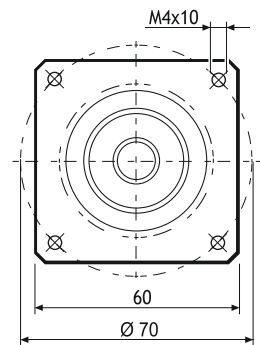
IP64

Dimensions (Units:mm)

SHAFT SIDE VIEW



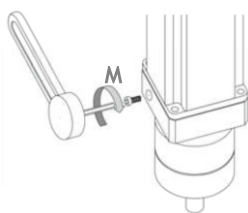
FLANGE SIDE VIEW



2.0 Kg

MODEL	Rated output torque [Nm]	Maximum acceleration output torque [Nm]	Emergency step output torque [Nm]	Backlash [arcmin]	Nominal input speed [min ⁻¹]	Maximum momentary input speed [min ⁻¹]	Torsional stiffness [Nm/arcmin]	Maximum radial force applying on output shaft [N]	Maximum axial force applying on output shaft [N]	Gear efficiency [%]	Gear moment of inertia [Kg ^m ²]
SG-P11-070-003-12-R2-0X00-00000	18	30	60	12'	3300	4000	3	1300	1400	97	0.12x10 ⁻⁴
SG-P11-070-005-12-R2-0X00-00000	25	35	70	12'	3500	5000	3	1300	1400	97	0.09x10 ⁻⁴
SG-P11-070-010-12-R2-0X00-00000	18	30	60	12'	4000	6000	3	1300	1400	97	0.06x10 ⁻⁴

Suggested motors



R2AA06020 SERIES



R2AA06040 SERIES



MOUNTING OPERATION MODE: ■ Tightening torque M=5 Nm

■ Locking bolt M4

■ R.T.A. Quality Control



R.T.A. s.r.l.
Via E. Mattei - Fraz- Divisa
27020 Marcignago (PV) (Italy)
T +39.0382.929.855
F +39.0382.929.150
www.rta.it

R.T.A. Deutschland GmbH
Bublitzer Strasse 34, 40599
Duesseldorf (Germany)
T +49.211.749.668.60
F +49.211.749.668.66
www.rta-deutschland.de

R.T.A. IBERICA
C/Generalitat 22, Local 1
08850 Gava - Barcelona (Spain)
T +34 936.388.805
F +34 936.334.595
www.rta-iberica.es

R.T.A. INDIA Pvt
Teerth Business Center 3rd Floor, Unit No. 7,
Block EL-15, MIDC Bhosari Pimpri-Chinchwad,
Pune 411026 (India)
Tel. +91 9422507445
www.rta-india.in