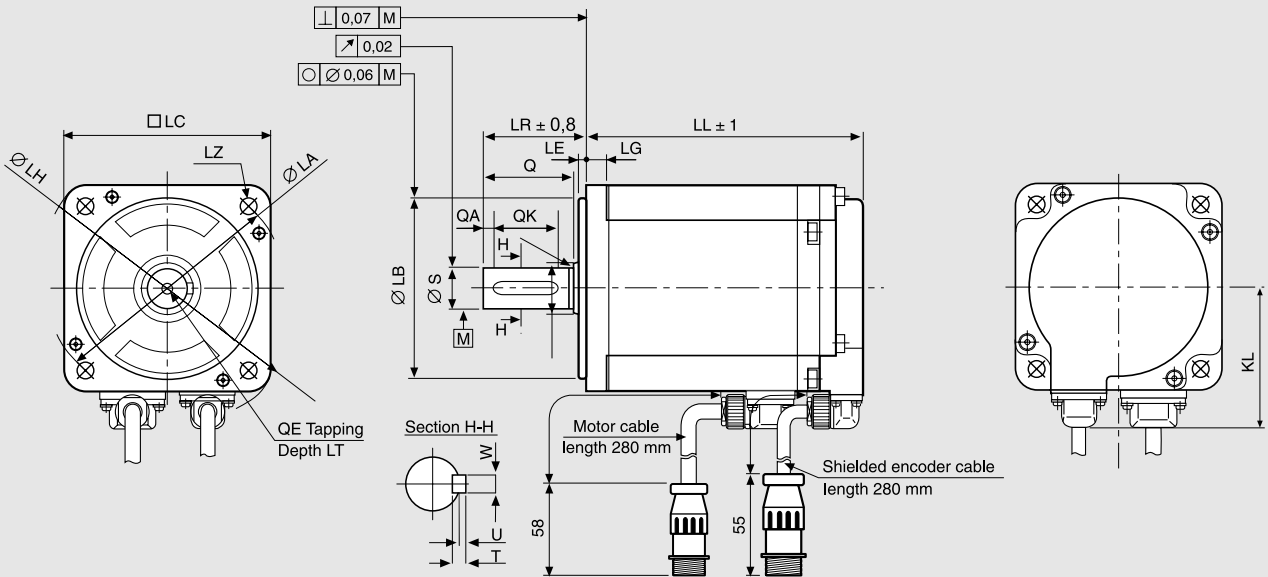


R2AAB8100HXH29M (R2AAB8100HCH29M)

SANYO DENKI
SANMOTION

Dimensions (Unit:mm)



without brake LL	with brake LL	LG	KL	LA	LB	LE	LH	LC	LZ	LR	S	Q	QA	QK	W	T	U	QE	LT
137	163	8	59.4	100	⁰ 80-0.003	3.0	115.5	86	4-Ø6.6	35	⁰ 16-0.011	30	2	25	5	5	2	M5	12

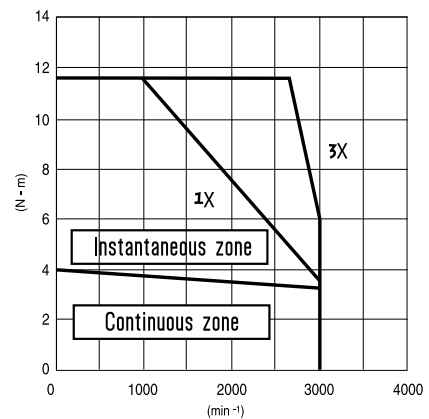
FEATURES

MODEL	R2AAB8100HXH29M	
NOMINAL POWER	(W)	1000
NOMINAL SPEED	(rpm)	3000
MAXIMUM SPEED	(rpm)	3000
NOMINAL TORQUE	(Nm)	3.180
STALL TORQUE	(Nm)	3.920
MAXIMUM TORQUE	(Nm)	11.60
INERTIA	(Kg*m ²)	2.383×10 ⁻⁴
ENCODER	(imp./rev)	131072 (17 bit)
PROTECTION DEGREE		IP67*
WEIGHT	[version with brake] (Kg)	3.50 [4.30]

* Protection degree IP67 (except the edge of the cable).

TORQUE CURVE

R2AAB8100H [1kW] + RS1A03



Indicated performances refer to motor controlled by related RS1 standard amplifiers, RS2 EtherCAT and the new driver RS3.

1χ = torque curve with single-phase power supply
3χ = torque curve with three-phase power supply

Le prestazioni indicate si riferiscono ai motori pilotati con il relativo azionamento Serie R nella versione standard RS1, RS2 EtherCAT e il nuovo driver RS3.

*1χ = curva di coppia con alimentazione di potenza monofase
3χ = curva di coppia con alimentazione di potenza trifase*



Suggested amplifiers: RS1A03AA, RS1A03AL, RS2A03A0K, RS3A03A0AL2