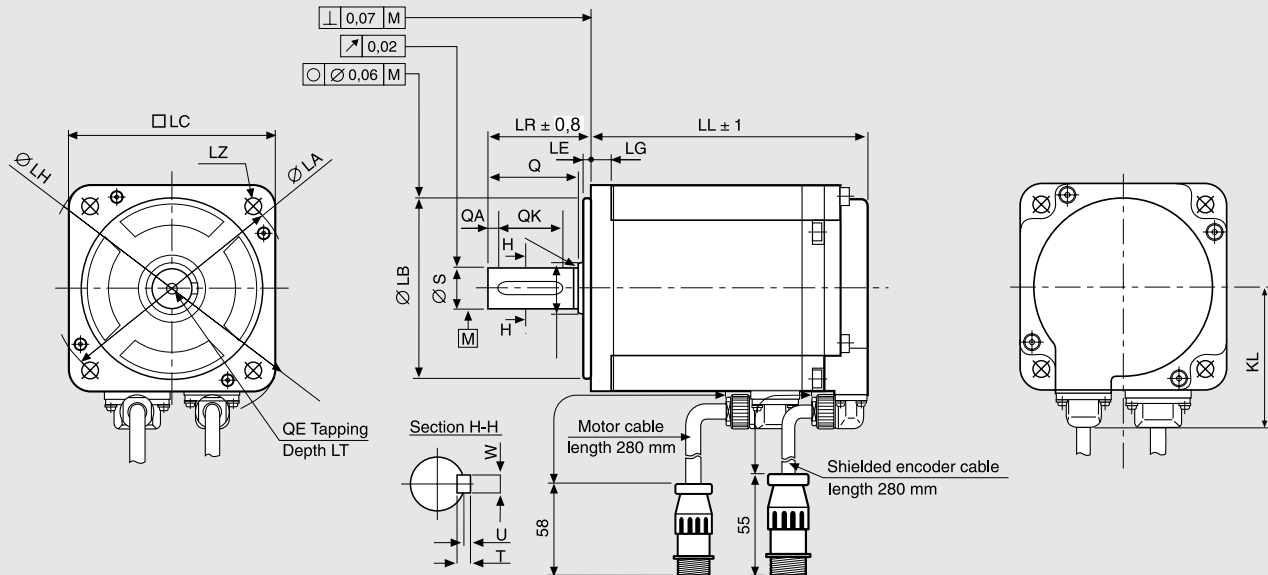


R2AA08075FXH11M (R2AA08075FCH11M)

SANYO DENKI
SANMOTION

Dimensions (Unit:mm)



without brake LL	with brake LL	LG	KL	LA	LB	LE	LH	LC	LZ	LR	S	Q	QA	QK	W	T	U	QE	LT
107.3	143	8	54.4	90	⁰ 70-0.030	3.0	108	80	4-Ø6.6	40	⁰ 16-0.011	35	4	25	5	5	2	M5	12

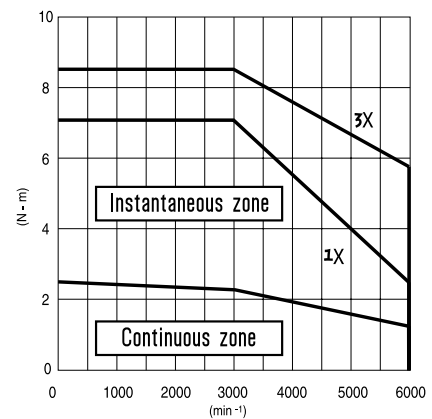
FEATURES

MODEL	R2AA08075FXH11M	
NOMINAL POWER	(W)	750
NOMINAL SPEED	(rpm)	3000
MAXIMUM SPEED	(rpm)	6000
NOMINAL TORQUE	(Nm)	2.390
STALL TORQUE	(Nm)	2.550
MAXIMUM TORQUE	(Nm)	8.50
INERTIA	(Kg*m ²)	1.820×10 ⁻⁴
ENCODER	(imp./rev)	131072 (17 bit)
PROTECTION DEGREE		IP67
WEIGHT	[version with brake] (Kg)	2.60 [3.45]

* Protection degree IP67 (except for the shaft hole and the edge of the cable).

TORQUE CURVE

R2AA08075F [750W] + RS1A03



R.T.A. s.r.l. PAVIA (ITALY) SANYO DENKI CO., Ltd (JAPAN)

WITHOUT BRAKE
R2AA08075FXH11M



Indicated performances refer to motor controlled by related RS1 standard amplifiers, RS2 EtherCAT and the new driver RS3.

1X = torque curve with single-phase power supply
3X = torque curve with three-phase power supply

Le prestazioni indicate si riferiscono ai motori pilotati con il relativo azionamento Serie R nella versione standard RS1, RS2 EtherCAT e il nuovo driver RS3.

*1X = curva di coppia con alimentazione di potenza monofase
3X = curva di coppia con alimentazione di potenza trifase*

WITH BRAKE
R2AA08075FCH11M



Suggested amplifiers: RS1A03AA, RS1A03AL, RS2A03A0K, RS3A03A0AL2