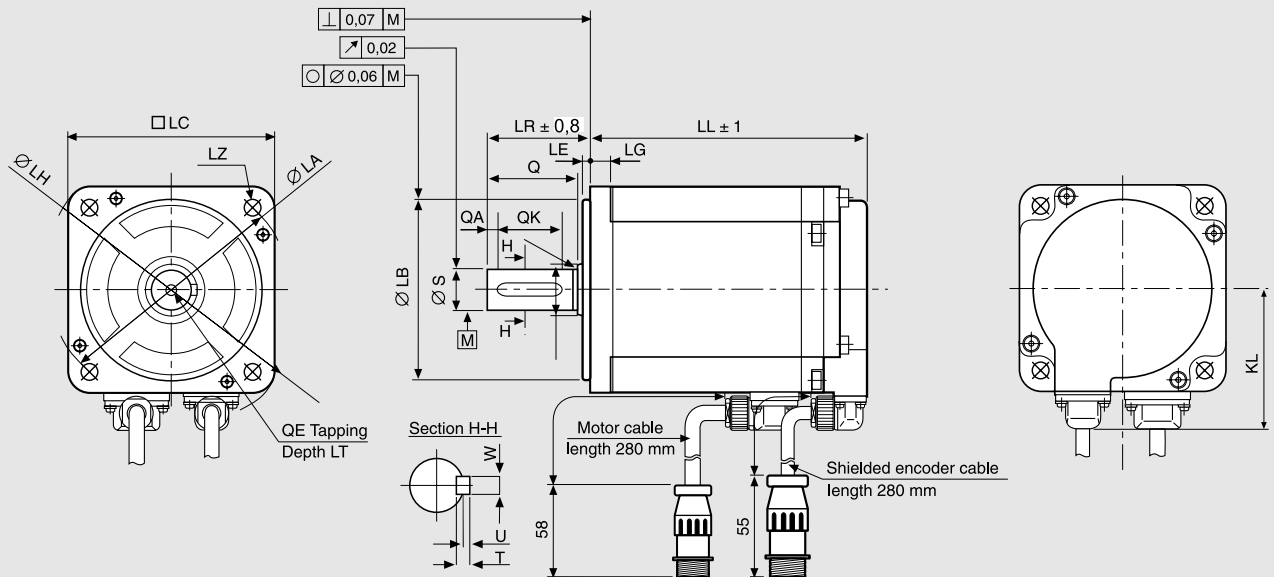


# R2AA06040FXH11M (R2AA06040FCH11M)

SANYO DENKI  
SANMOTION

## Dimensions (Unit:mm)



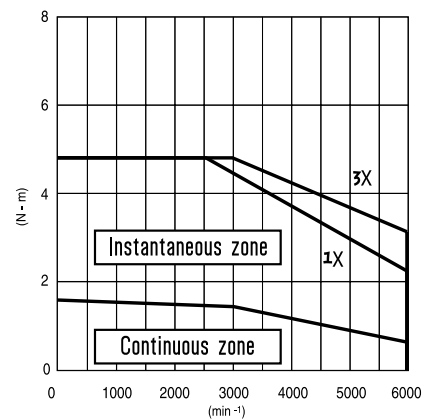
without brake	with brake	LL	LG	KL	LA	LB	LE	LH	LC	LZ	LR	S	Q	QA	QK	W	T	U	QE	LT
95.5	123.5	6	44.6	70	<sup>0</sup> 50-0.025	3.0	82	60	4-Ø5.5	30	<sup>0</sup> 14-0.011	25	2	20	5	5	2	M5	12	

## FEATURES

MODEL	R2AA06040FXH11M
NOMINAL POWER [version with brake] (W)	400 [360]
NOMINAL SPEED (rpm)	3000
MAXIMUM SPEED (rpm)	6000
NOMINAL TORQUE (Nm)	1.270
STALL TORQUE (Nm)	1.370
MAXIMUM TORQUE (Nm)	4.80
INERTIA (Kg*m <sup>2</sup> )	0.412*10 <sup>-4</sup>
ENCODER (imp./rev)	131072 (17 bit)
PROTECTION DEGREE	IP67
WEIGHT [version with brake] (Kg)	1.30 [1.65]

## TORQUE CURVE

R2AA06040F [400W] + RS1A03



\* Protection degree IP67 (except for the shaft hole and the edge of the cable).



Indicated performances refer to motor controlled by related RS1 standard amplifiers, RS2 EtherCAT and the new driver RS3.

1X = torque curve with single-phase power supply  
3X = torque curve with three-phase power supply

*Le prestazioni indicate si riferiscono ai motori pilotati con il relativo azionamento Serie R nella versione standard RS1, RS2 EtherCAT e il nuovo driver RS3.*

1X = curva di coppia con alimentazione di potenza monofase  
3X = curva di coppia con alimentazione di potenza trifase



Suggested amplifiers: RS1A03AA, RS1A03AL, RS2A03AOK, RS3A02A0L2