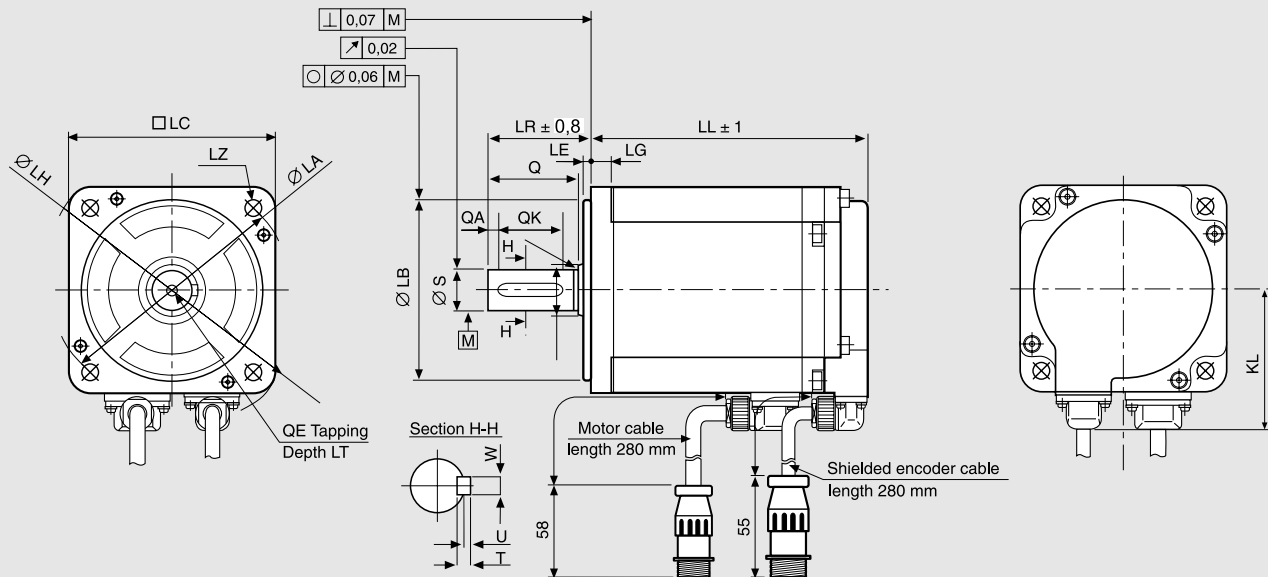


# R2AA06020FXH11M (R2AA06020FCH11M)

SANYO DENKI  
SANMOTION

## Dimensions (Unit:mm)



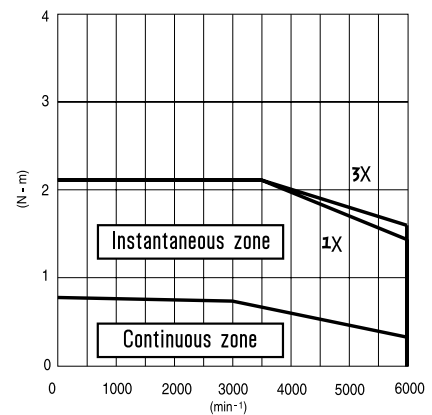
without brake LL	with brake LL	LG	KL	LA	LB	LE	LH	LC	LZ	LR	S	Q	QA	QK	W	T	U	QE	LT
69.5	97.5	6	44.6	70	<sup>0</sup> 50-0.025	3.0	82	60	4-Ø5.5	30	<sup>0</sup> 14-0.011	25	2	20	5	5	2	M5	12

## FEATURES

MODEL	R2AA06020FXH11M
NOMINAL POWER [version with brake] (W)	200
NOMINAL SPEED (rpm)	3000
MAXIMUM SPEED (rpm)	6000
NOMINAL TORQUE (Nm)	0.637
STALL TORQUE (Nm)	0.686
MAXIMUM TORQUE (Nm)	2.20
INERTIA (Kg*m <sup>2</sup> )	0.219*10 <sup>-4</sup>
ENCODER (imp./rev)	131072 (17 bit)
PROTECTION DEGREE	IP67
WEIGHT [version with brake] (Kg)	0.84 [1.19]

\* Protection degree IP67 (except for the shaft hole and the edge of the cable).

## TORQUE CURVE R2AA06020F [200W] + RS1A01



R.T.A. s.r.l. PAVIA (ITALY) SANYO DENKI CO., Ltd (JAPAN)

WITHOUT BRAKE  
R2AA06020FXH11M



Indicated performances refer to motor controlled by related RS1 standard amplifiers, RS2 EtherCAT and the new driver RS3.

1 $\chi$  = torque curve with single-phase power supply  
3 $\chi$  = torque curve with three-phase power supply

*Le prestazioni indicate si riferiscono ai motori pilotati con il relativo azionamento Serie R nella versione standard RS1, RS2 EtherCAT e il nuovo driver RS3.*

1 $\chi$  = curva di coppia con alimentazione di potenza monofase  
3 $\chi$  = curva di coppia con alimentazione di potenza trifase

WITH BRAKE  
R2AA06020FCH11M



Suggested amplifiers: RS1A01AA, RS1A01AL, RS2A03A0K, RS3A02A0AL2