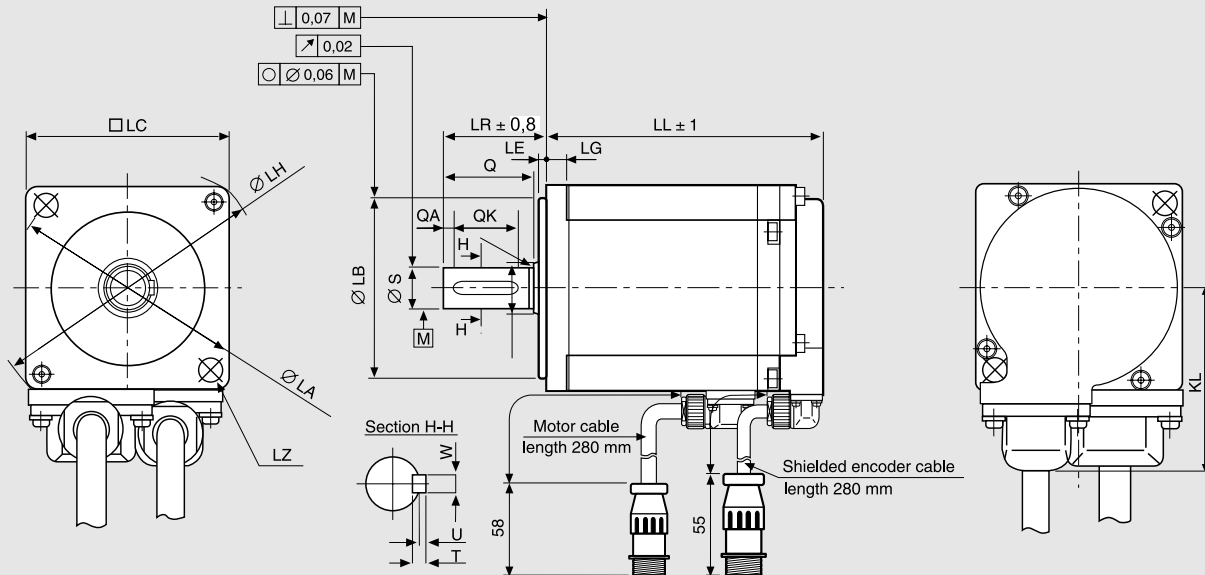


# R2AA04010FXH1CM (R2AA04010FCH1CM6)

SANYO DENKI  
SANMOTION

## Dimensions (Unit:mm)



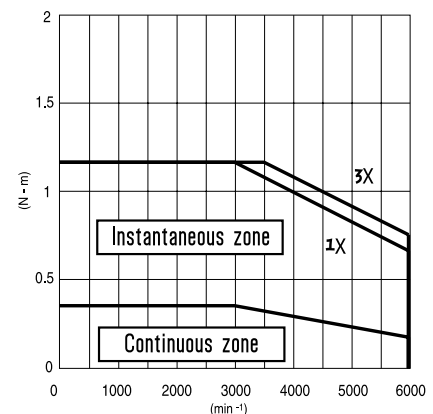
without brake LL	with brake LL	LG	KL	LA	LB	LE	LH	LC	LZ	LR	S	Q	QA	QK	W	T	U	QE	LT
72	108	5	35.4	46	30-0.021 <sup>0</sup>	2.5	56	40	2-Ø4.5	25	8-0.009 <sup>0</sup>	20	2	12	3	3	1.2	--	--

## FEATURES

MODEL	R2AA04010FXH1CM
NOMINAL POWER [version with brake] (W)	100 [90]
NOMINAL SPEED (rpm)	3000
MAXIMUM SPEED (rpm)	6000
NOMINAL TORQUE (Nm)	0.318
STALL TORQUE (Nm)	0.318
MAXIMUM TORQUE (Nm)	1.18
INERTIA (Kg*m <sup>2</sup> )	0.0627×10 <sup>-4</sup>
ENCODER (imp./rev)	131072 (17 bit)
PROTECTION DEGREE	IP67*
WEIGHT [version with brake] (Kg)	0.39 [0.62]

\* Protection degree IP67 (except for the shaft hole and the edge of the cable).

## TORQUE CURVE R2AA04010F [100W] + RS1A01



R.T.A. s.r.l. PAVIA (ITALY) SANYO DENKI CO., Ltd (JAPAN)

WITHOUT BRAKE  
R2AA04010FXH1CM



Indicated performances refer to motor controlled by related RS1 standard amplifiers, RS2 EtherCAT and the new driver RS3.

1X = torque curve with single-phase power supply  
3X = torque curve with three-phase power supply

*Le prestazioni indicate si riferiscono ai motori pilotati con il relativo azionamento Serie R nella versione standard RS1, RS2 EtherCAT e il nuovo driver RS3.*

1X = curva di coppia con alimentazione di potenza monofase  
3X = curva di coppia con alimentazione di potenza trifase

WITH BRAKE  
R2AA04010FCH1CM6



**Suggested amplifiers: RS1A01AA, RS1A01AL, RS2A03A0K, RS3A02A0AL2**