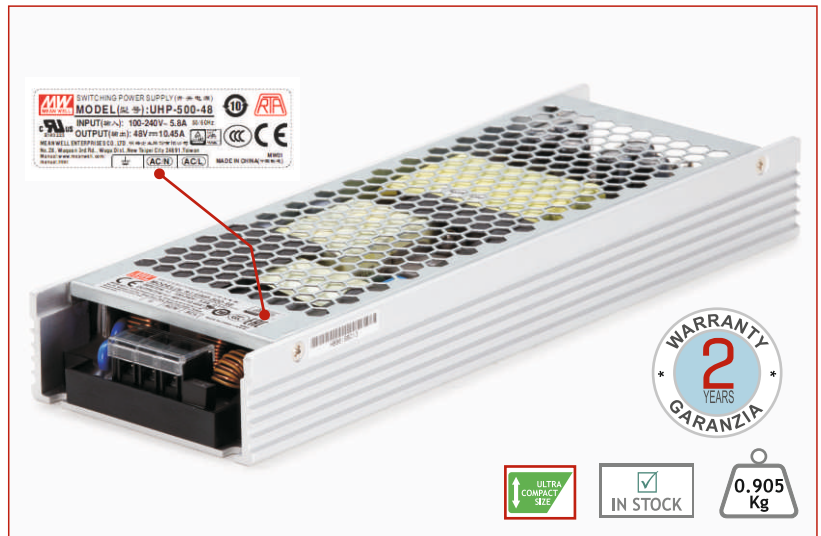


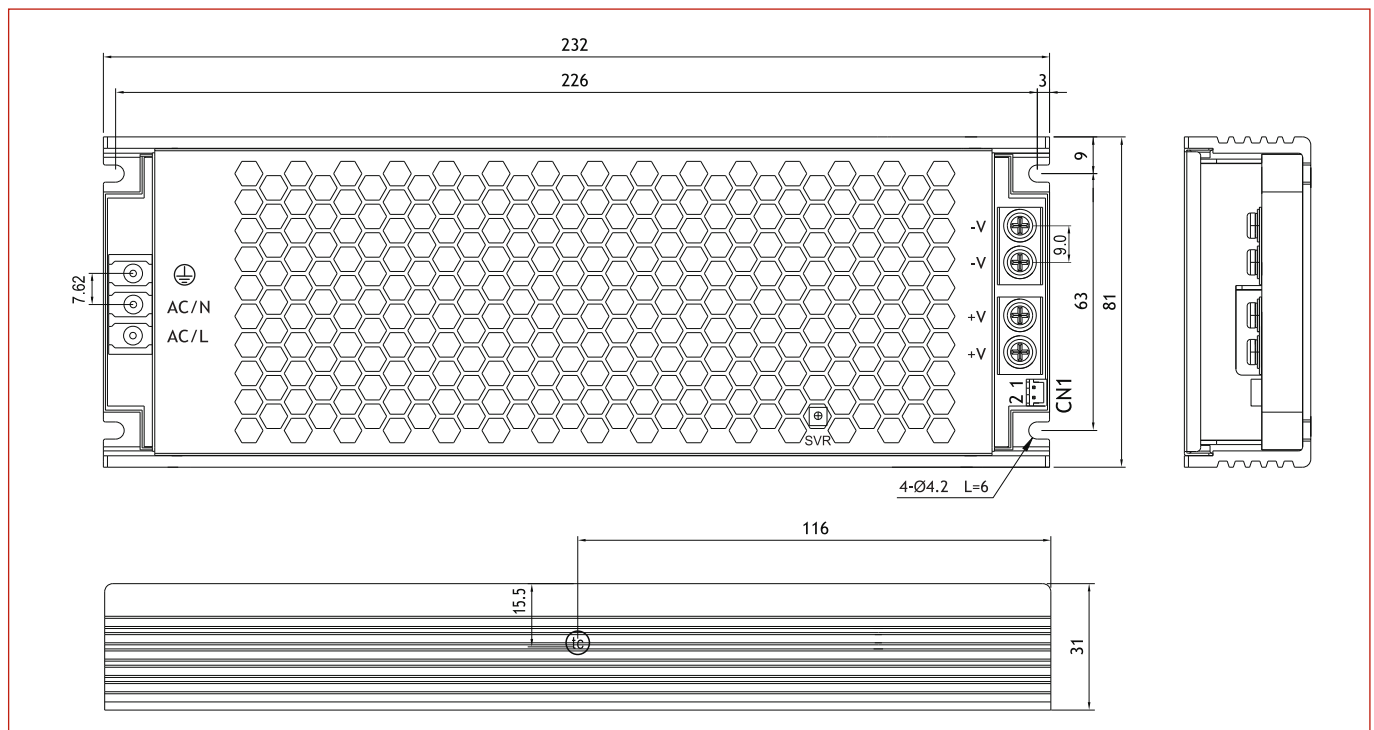
R-UHP 500-XX SWITCHING POWER SUPPLY

Main Features

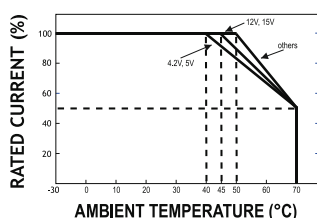
- 41.7 A output - 12 VDC
- 20.9 A output - 24 VDC
- 10.45 A output - 48 VDC
- AC input voltage range: 90~264 VAC
- -30~+70 °C ambient temperature
- Protections: Short Circuit, Overload, Over Voltage, Over Temperature
- V_{DC_OK} signal active
- Led indicator for power on
- Warranty: 24 months



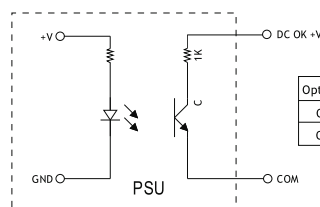
Dimensions (Units:mm)



MORE INFO



DERATING CURVE



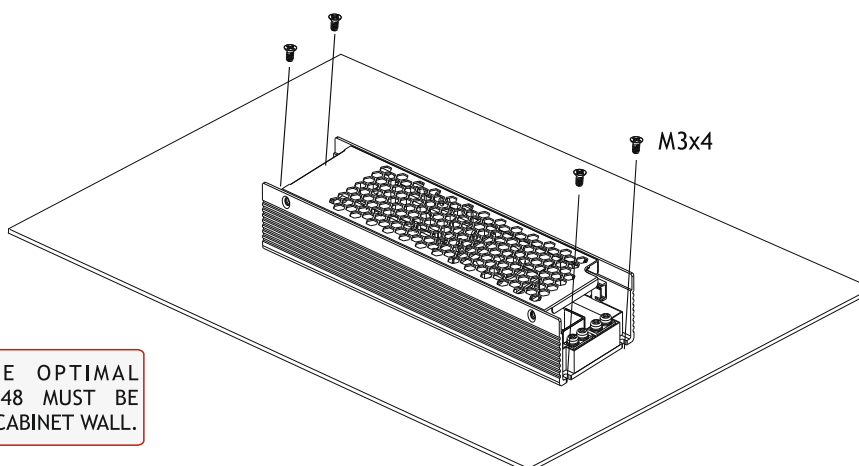
Optocoupler C-E Pin Conduction	PSU turns on	DC ok
Optocoupler C-E Pin Open	PSU turns off	DC fail
Optocoupler Rating(max.)	15Vdc/10mA resistive load	

V_{DC_OK} FUNCTION MANUAL

Specifications

MODEL		R-UHP 500-12	R-UHP 500-24	R-UHP 500-48
OUTPUT	DC VOLTAGE	12V	24V	48V
	RATED CURRENT	41.7A	20.9A	10.45A
	RATED POWER (convection)	500.4W	501.6W	501.6W
	VOLTAGE ADJ. RANGE	11.4 ~ 12.6	22.8 ~ 25.2V	45.6-50.4V
	VOLTAGE TOLERANCE Note.3	±1.0%	±1.0%	±1.0%
	LINE REGULATION	±0.3%	±0.3%	±0.3%
	LOAD REGULATION	±0.5%	±0.5%	±0.5%
INPUT	VOLTAGE RANGE Note.3	90 ~ 264VAC 127 ~ 370VDC	90 ~ 264VAC 127 ~ 370VDC	90 ~ 264VAC 127 ~ 370VDC
	FREQUENCY RANGE	47 ~ 63Hz	47 ~ 63Hz	47 ~ 63Hz
	EFFICIENCY	94%	94.5%	95%
	AC CURRENT (Typ.)	4.85A/115VAC 2.6A/230VAC	4.85A/115VAC 2.6A/230VAC	4.85A/115VAC 2.6A/230VAC
PROTECTION	OVERLOAD	110-140% rated output power Protection type : Hiccup mode, recovers automatically after fault condition is removed		
	OVER VOLTAGE	13.2 ~ 15.6	26.4 ~ 31.2V	52.8 ~ 62.4V
	OVER TEMPERATURE	Protection type :Shut down O/P voltage, re-power on to recover		
FUNCTION	VDC_OK SIGNAL(Optional)	Contact rating(max.):30Vdc/1A resistive load		
ENVIRONMENT	WORKING TEMP.	-20 ~ +70°C (Refer to "Derating Curve")		
	WORKING HUMIDITY	20 ~ 90% RH non-condensing		
	VIBRATION	10 ~ 500Hz, 5G 10min./1cycle, 60min. each along X, Y, Z axes		
SAFETY & EMC (Note.5)	SAFETY STANDARDS	UL60950-1,TUV EN60950-1,EN60335-1,CCC GB4943, EAC TP TC 004 approved, Design refer to EN61558-1,-2-16		
	WITHSTAND VOLTAGE	I/P-O/P:3 75KVAC I/P-FG:2KVAC O/P-FG:1 25KVAC		
	ISOLATION RESISTANCE	I/P-O/P, I/P-FG, O/P-FG:100M Ohms/500VDC/25°C/70%RH		
	EMC EMISSION	Compliance to EN55032,GB9254,Class B, EN55014,EN61000-3-2,-3,EAC TP TC 020		
	EMC IMMUNITY	Compliance to EN61000-4-2,3,4,5,6,8,11;EN61000-6-2 (EN50082-2), heavy industry level ,criterial A, EAC TP TC020		
OTHERS	MTBF	168K hrs min. MIL-HDBK-217F (25°C)		
NOTE	<ol style="list-style-type: none"> All parameters NOT specially mentioned are measured at 230 VAC input, rated load and 25°C ambient temperature. Tolerance: includes set up tolerance, line regulation and load regulation. Please check the derating curve for more details. The ambient temperature derating of 5°C /1000m is needed for operating altitude greater than 2000m (6500ft). The power supply is considered a component which will be installed into a final equipment. The final equipment must be re-confirmed that is still meets EMC directives. 			

Mounting



IN ORDER TO ASSURE OPTIMAL DISSIPATION, R-UHP 500-48 MUST BE INSTALLED ON ELECTRICAL CABINET WALL.