

MC4N-ECAT

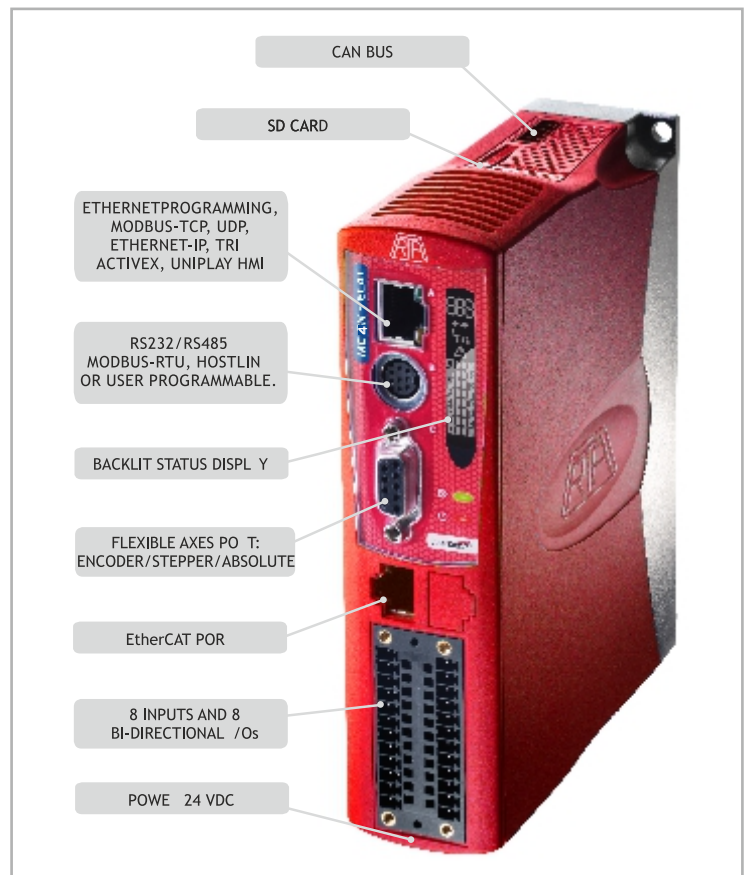
Mini EtherCAT[®] Master

INTRODUCTION

- High performance motion coordinator for remote servo and stepper drives via EtherCAT bus.
- EtherCAT amplifiers can be connected and driven in cyclic synchronous position, speed or torque modes.
- Same simple programming as the traditional analog axes, with the possibility to set up drives and process alarms over the EtherCAT bus.
- Ideal for high axes count machines or robotic applications.
- Remote placement of the modules from the master if needed.

HIGHLIGHTS

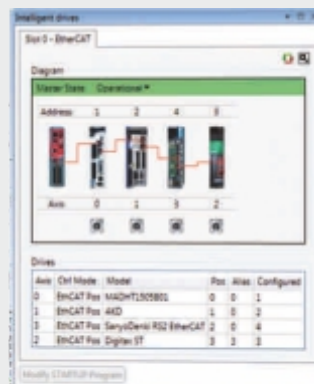
- Up to 32 EtherCAT digital drive axes.
- Up to 1024 EtherCAT I/O
- Ethercat CoE protocol to CiA402
- Linear, circular, helical and spherical interpolation
- EnDAT and SSI absolute encoder supported
- Ethernet-IP / Modbus TCP / Trio Activex / Uniplay HMI / UDP / Ethernet interface built-in
- Precise 64 Bit motion calculation with 532 Mhz ARM 11 processor
- IEC 61131-3 programming
- Robotic transformations
- High speed registration inputs
- SD memory card slot
- CANopen I/O expansions
- RoHS, UL and CE approved



EASY PROGRAMMING SYSTEM

The built-in Ethernet port allows programming and connection of common PLC and HMI protocols.

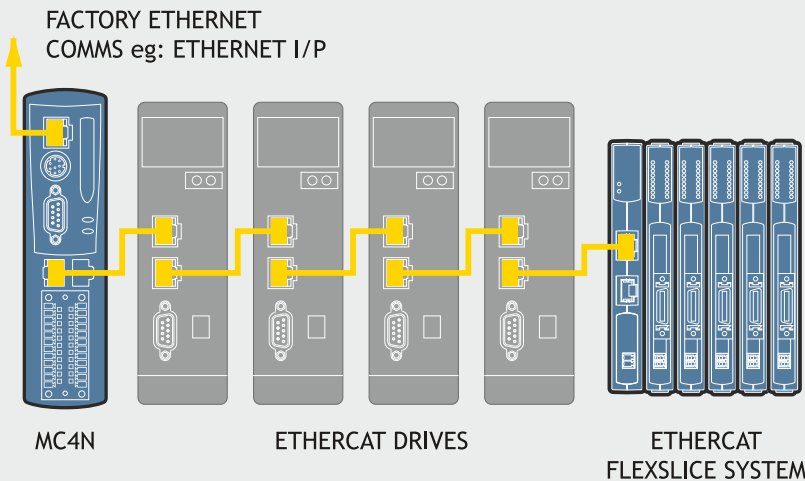
Standard IEC 61131-3 languages available, allowing a fully functional PLC programming system.



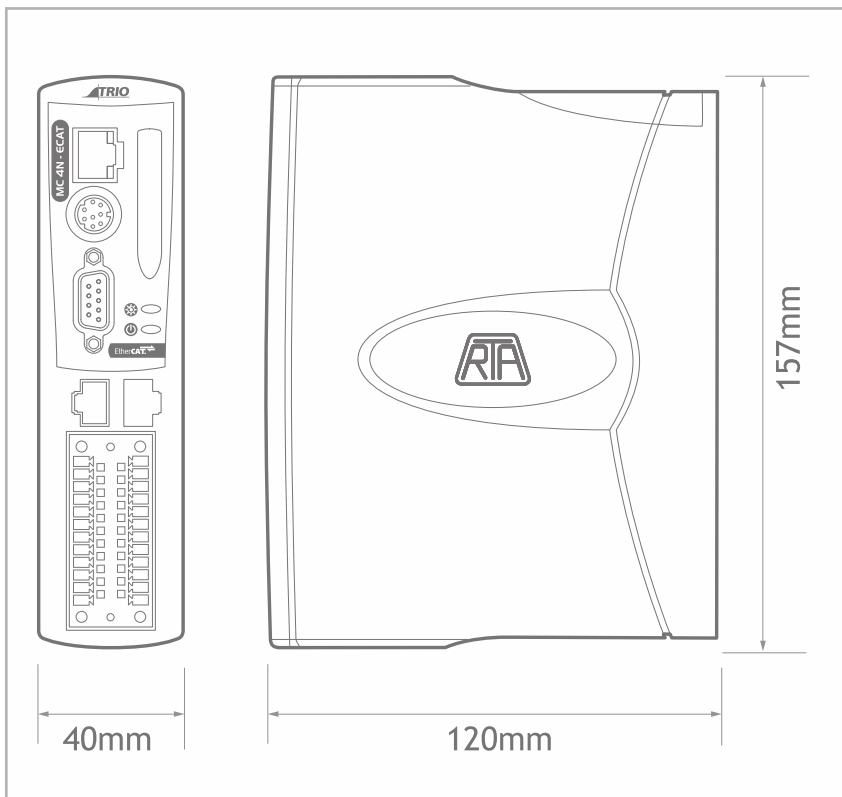
EtherCAT[®]

SPECIFICATIONS

- Programming and connection of common PLC and HMI protocols through the built-in Ethernet port.
- Versions for 2, 4, 8, 16 and 32 axes available, all featuring 32 software axes.
- Backlit LCDs display for easy reading.
- Metal backplate for maximum noiselessness.



MECHANICAL DIMENSIONS



MAXIMUM VERSATILITY

Built-in support for digital drives and I/Os of most brands on the market.



R.T.A. s.r.l.
Via E. Mattei - Fraz. Divisa
27020 MARCIGNAGO (PV) ITALY
Tel. +39.0382.929.855
Fax +39.0382.929.150
www.rta.it

R.T.A. Deutschland GmbH
Bublitzer Straße 34
40599 DÜSSELDORF (Germany)
Tel. +49.211.749.668.60
Fax +49.211.749.668.66
www.rta-deutschland.de

R.T.A. IBERICA-Motion Control Systems S.L.
C/Generalitat 22, Local 1.
08850 GAVA - BARCELONA (Spain)
Tel. +34.936.388.805
Fax +34.936.334.595
www.rta-iberica.es

R.T.A India Pvt
Flat n. 201, Wind Residency
Vishal Nagar, D.P. Road, Pimple Nilakh,
411027 Pune (India)
Tel. +91.9422507445
www.rta-india.in