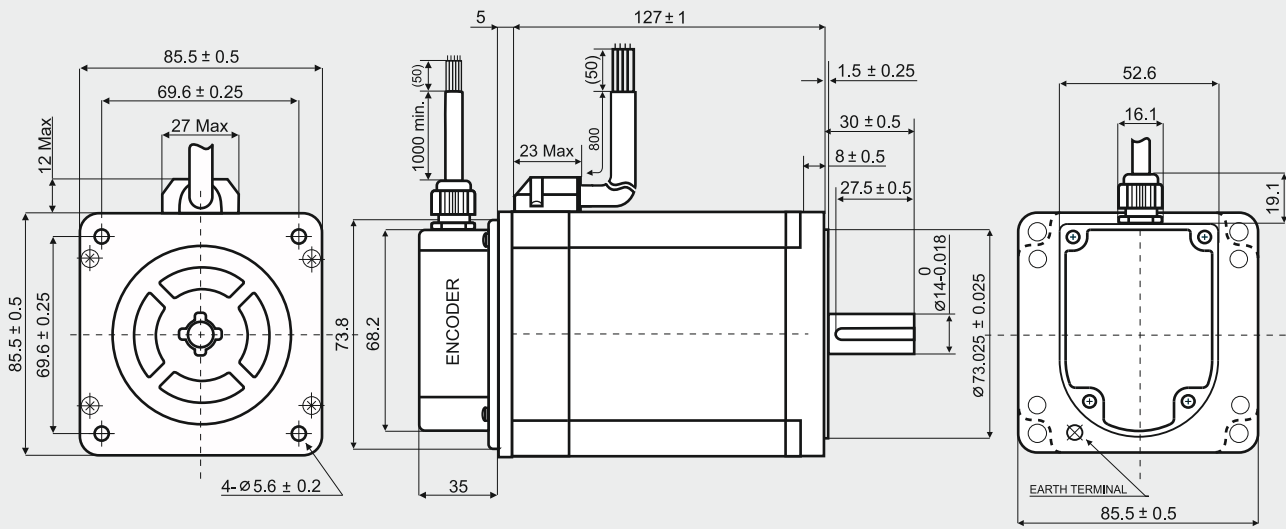


# EM 3F3M-14D0

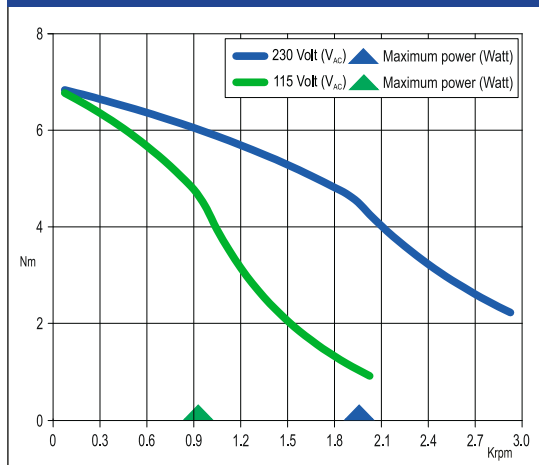
## Dimensions (Unit:mm)



## SANYO DENKI MOTOR FEATURES

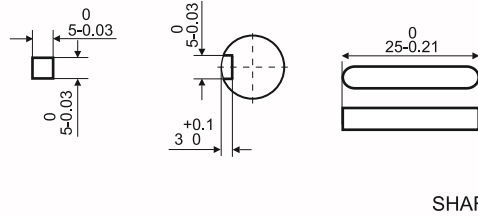
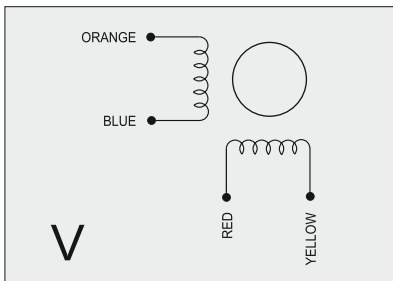
MODEL	EM 3F3M-14D0	
SANYO DENKI MOTOR CODE	SM 2863-5126	
BASIC STEP ANGLE	1.8° ± 0.09°	
BIPOLAR PARALLEL CURRENT	(Amp)	4.0
RESISTANCE	(Ohm)	1.0
INDUCTANCE	(mH)	7.9
BIPOLAR HOLDING TORQUE	(Ncm)	920
ROTOR INERTIA	(Kg·m <sup>2</sup> × 10 <sup>-7</sup> )	4500
THEORETICAL ACCELERATION	(rad × sec. <sup>-2</sup> )	20500
BACK E.M.F.	(V/Krpm)	241
MASS	(Kg)	4.0
INTERNATIONAL STANDARDS	UL, CSA	
INSULATION VOLTAGE	(V)	250 VAC (350 VDC)
PROTECTION DEGREE - INSULATION CLASS	IP43 - F	
LEADS CODE	V	

## TORQUE/SPEED CURVE



## ENCODER FEATURES

POWER SUPPLY VOLTAGE	(Volt)	5 V <sub>DC</sub> ± 5%
CURRENT CONSUMPTION	(mAmp)	40
HIGH LEVEL OUTPUT	(Volt)	3.4 (TIP) - 2.4 (MIN) (I <sub>max</sub> =20 mA)
LOW LEVEL OUTPUT	(Volt)	0.2 (TIP) - 0.4 (MAX) (I <sub>max</sub> =20 mA)
OUTPUT SIGNAL	Differential (SINGLE ENDED version available)	
RESOLUTION	400 cycles per revolution (500 & 1000 CPR version available)	
MAXIMUM FREQUENCY	(KHz)	60
INDEX VERSION	Available upon request	



LEADS COLOR	ENCODER
BROWN	CHANNEL A-
BLUE	CHANNEL A+
PURPLE	CHANNEL B-
GREEN	CHANNEL B+
BLACK	GND (0 V)
RED	+ DC (5 V)
SHIELD	

Suggested R.T.A. drive model: 230 Vac X-PLUS



R.T.A. s.r.l.  
Via E. Mattei - Fraz. Divisa  
27020 MARCIGNAGO (PV) ITALY  
Tel. +39.0382.929.855  
Fax +39.0382.929.150  
www.rta.it

R.T.A. Deutschland GmbH  
Bublitzer Straße 34  
40599 DÜSSELDORF (Germany)  
Tel. +49.211.749.668.60  
Tel. +49.211.749.668.66  
www.rta-deutschland.de

R.T.A. IBERICA-Motion Control Systems S.L.  
C/Generalitat 22, Local 1.  
08850 GAVA - BARCELONA (Spain)  
Tel. +34.936.388.805  
Fax +34.936.334.595  
www.rta-iberica.es

R.T.A India Pvt  
Flat n. 201, Wind Residency  
Vishal Nagar, D.P. Road, Pimple Nilakh,  
411027 Pune (India)  
Tel. +91.9422507445  
www.rta-india.in