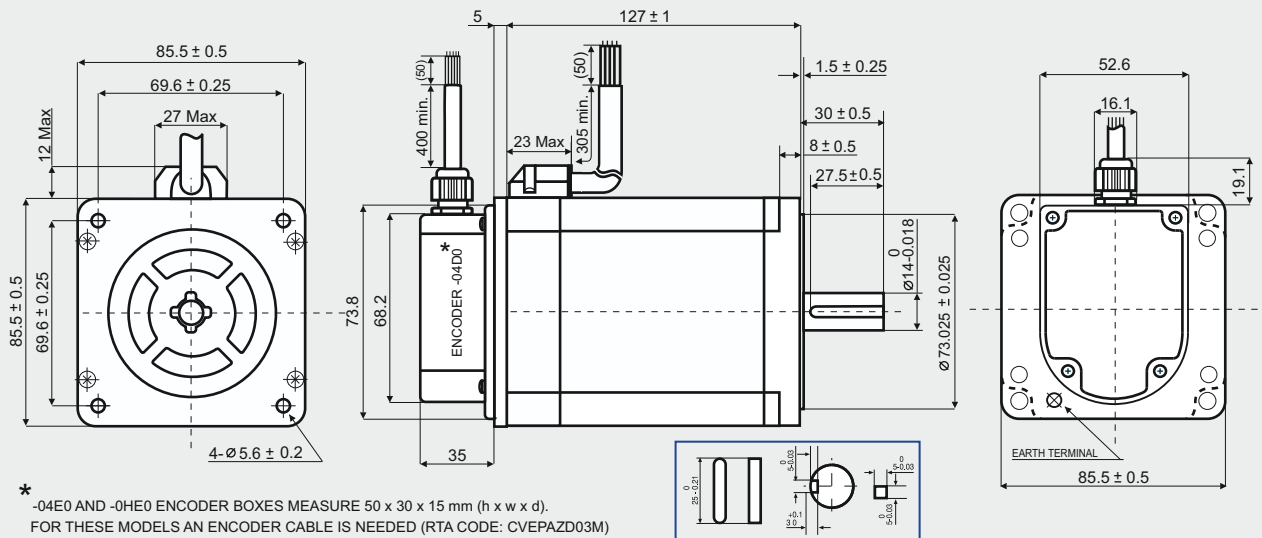


EM 3F3M-OXXO

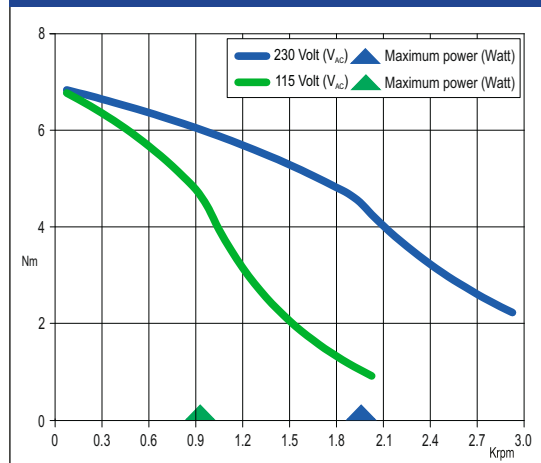
Dimensions (Unit:mm)



SANYO DENKI MOTOR FEATURES

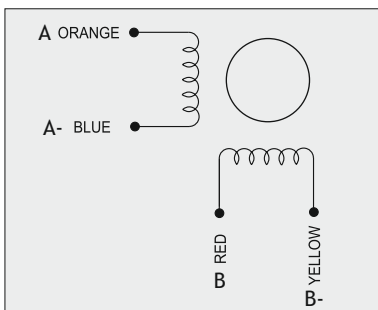
MODEL	EM 3F3M-OXXO
SANYO DENKI MOTOR CODE	SM 2863-5126
BASIC STEP ANGLE	1.8° ± 0.09°
BIPOLAR PARALLEL CURRENT (Amp)	4.0
RESISTANCE (Ohm)	1.0
INDUCTANCE (mH)	7.9
BIPOLAR HOLDING TORQUE (Ncm)	920
ROTOR INERTIA (Kg·m ² × 10 ⁻⁷)	4500
THEORETICAL ACCELERATION (rad × sec. ⁻²)	20500
BACK E.M.F. (V/Krpm)	241
MASS (Kg)	4.0
INTERNATIONAL STANDARDS	UL, CSA
INSULATION VOLTAGE (V)	250 VAC (350 VDC)
PROTECTION DEGREE - INSULATION CLASS	IP43 - F
LEADS CODE	V

TORQUE/SPEED CURVE



R.T.A. s.r.l. PAVIA (ITALY) SANYO DENKI CO., Ltd (JAPAN)

ENCODER OPTIONS:	EM 3F3M-04D0	EM 3F3M-04E0 *	EM 3F3M-0HE0 *
RESOLUTION	400 cpr	400 cpr	4000 cpr
INDEX	No	Yes	Yes
CURRENT CONSUMPTION (mA)	50	50	85
HIGH LEVEL OUTPUT (Volt)	5 (TIP) - 4.75 (MIN) (I _{MAX} =25mA)	3.4 (TIP) - 2.4 (MIN) (I _{MAX} =20mA)	3.4 (TIP) - 2.4 (MIN) (I _{MAX} =20mA)
LOW LEVEL OUTPUT (Volt)	0.25 (TIP) - 0.6 (MAX) (I _{MAX} =25mA)	0.2 (TIP) - 0.4 (MAX) (I _{MAX} =20mA)	0.2 (TIP) - 0.4 (MAX) (I _{MAX} =20mA)
OUTPUT SIGNAL	Differential	Differential	Differential
MAXIMUM FREQUENCY (KHz)	100	100	720
POWER SUPPLY VOLTAGE (Volt)	5 V _{DC} ± 10%	5 V _{DC} ± 10%	5 V _{DC} ± 10%



ENCODER CABLE / ENCODER PIN OUT

DESCRIPTION	04D0 WIRES	04E0 PINS	0HE0 PINS
CHANNEL A+	BLUE	6 GREEN	6 GREEN
CHANNEL A-	BROWN	5 PURPLE	5 PURPLE
CHANNEL B+	GREEN	8 BLUE	8 BLUE
CHANNEL B-	PURPLE	7 BROWN	7 BROWN
+ DC (5V)	RED	2 RED	2 RED
GROUND	BLACK	3 BLACK	3 BLACK
INDEX+	/	10 ORANGE	10 ORANGE
INDEX-	/	9 WHITE	9 WHITE

R.T.A. CABLE

CVEPAZD03M

CVEPAZD03M

Suggested R.T.A. drive series: NDC, ADW, HGD, PLUS



R.T.A. s.r.l.
Via E. Mattei - Fraz- Divisa
27020 Marcignago (PV) (Italy)
T +39.0382.929.855
F +39.0382.929.150
www.rta.it

R.T.A. Deutschland GmbH
Bublitzstrasse 34, 40599
Duesseldorf (Germany)
T +49.211.749.668.60
F +49.211.749.668.66
www.rta-deutschland.de

R.T.A. IBERICA
C/Generalitat 22, Local 1
08850 Gava - Barcelona (Spain)
T +34 936.388.805
F +34 936.334.595
www.rta-iberica.es

R.T.A. INDIA Pvt
Teerth Business Center 3rd Floor, Unit No. 7,
Block EL-15, MIDC Bhosari Pimpri-Chinchwad,
Pune 411026 (India)
Tel. +91 9422507445
www.rta-india.in