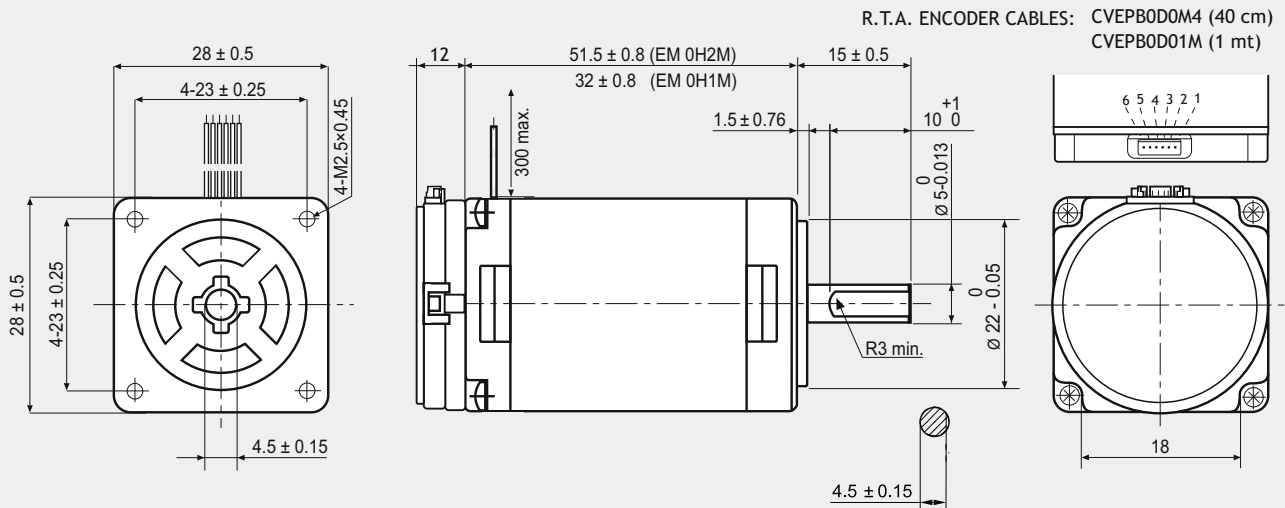


EM 0HxM-04D0

SANYO DENKI
SANMOTION

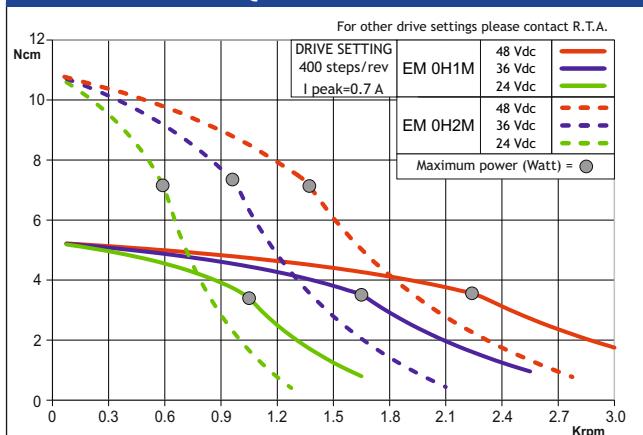
Dimensions (Unit:mm)



FEATURES

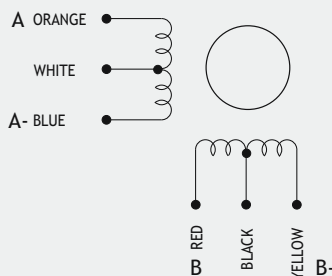
MODEL	EM 0H1M-04D0	EM 0H2M-04D0
SANYO DENKI MOTOR CODE	SH 2281-5231	SH 2285-5231
BASIC STEP ANGLE	1.8° ± 0.09°	1.8° ± 0.09°
BIPOLAR CURRENT (A)	0.7*	0.7*
UNIPOLAR CURRENT (A)	1.0	1.0
RESISTANCE (Ohm)	2.85	4.1
INDUCTANCE (mH)	1.0	1.9
BIPOLAR HOLDING TORQUE (Ncm)	7	14.5
UNIPOLAR HOLDING TORQUE (Ncm)	5.5	11.5
ROTOR INERTIA (Kgm ² × 10 ⁻⁷)	10	22
THEORETICAL ACCELERATION (rad × sec. ⁻²)	70000	66000
BACK E.M.F. (V/Krpm)	15	15
MASS (Kg)	0.11	0.2

TORQUE/SPEED CURVE



ENCODER FEATURES

POWER SUPPLY VOLTAGE (V)	5 V _{DC} ± 5%
CURRENT CONSUMPTION (mA)	40
HIGH LEVEL OUTPUT (V)	3.4 (TIP) - 2.4 (MIN) (I _{max} =20 mA)
LOW LEVEL OUTPUT (V)	0.2 (TIP) - 0.4 (MAX) (I _{max} =20 mA)
OUTPUT SIGNAL	Differential
RESOLUTION	400 cycles per revolution
MAXIMUM FREQUENCY (KHz)	60
INDEX VERSION	No



ENCODER PIN-OUT

DESCRIPTION	PINS	R.T.A. CABLE LEADS COLOR
GND	1	● BLACK
CHANNEL A+	2	● BLUE
CHANNEL A-	3	● BROWN
+DC (5 V)	4	● RED
CHANNEL B+	5	● GREEN
CHANNEL B-	6	● PURPLE

R.T.A. ENCODER CABLES:
CVEPB0D0M4 (40 cm) / CVEPB0D01M (1 mt)

Suggested R.T.A. drive series: BSD, CSD, ADW, HGD, FLEX-DRIVE



R.T.A. s.r.l.
Via E. Mattei - Fraz- Divisa
27020 Marcignago (PV) (Italy)
T +39.0382.929.855
F +39.0382.929.150
www.rta.it

R.T.A. Deutschland GmbH
Bublitzer Strasse 34, 40599
Duesseldorf (Germany)
T +49.211.749.668.60
F +49.211.749.668.66
www.rta-deutschland.de

R.T.A. IBERICA
C/Generalitat 22, Local 1
08850 Gava - Barcelona (Spain)
T +34 936.388.805
F +34 936.334.595
www.rta-iberica.es

R.T.A. INDIA Pvt
Teerth Business Center 3rd Floor, Unit No. 7,
Block EL-15, MIDC Bhosari Pimpri-Chinchwad,
Pune 411026 (India)
Tel. +91 9422507445
www.rta-india.in