

MOTION CONTROL SYSTEMS

COOLING FANS CATALOGUE



Look Ahead!

COOLING FANS CATALOGUE



INTRODUCING R.T.A. GROUP		3
PRODUCTS OVERVIEW		9
TABLE OF CONTENTS		14

Introducing R.T.A. Group



Founded in 1976 in Pavia (Italy), today R.T.A. is a leading player in the industrial automation industry, with a wide and constantly expanding product and solution portfolio.



WHO WE ARE

the perfect partner for motion control and cooling solutions for any kind of automatic machinery.



HOW WE RANK

we are n.1 independent group in europe in the stepping motor drives segment (source: ihs markit).



WHAT WE HAVE ACHIEVED

over 1 mln drives sold worldwide since 1976 .

Our DNA

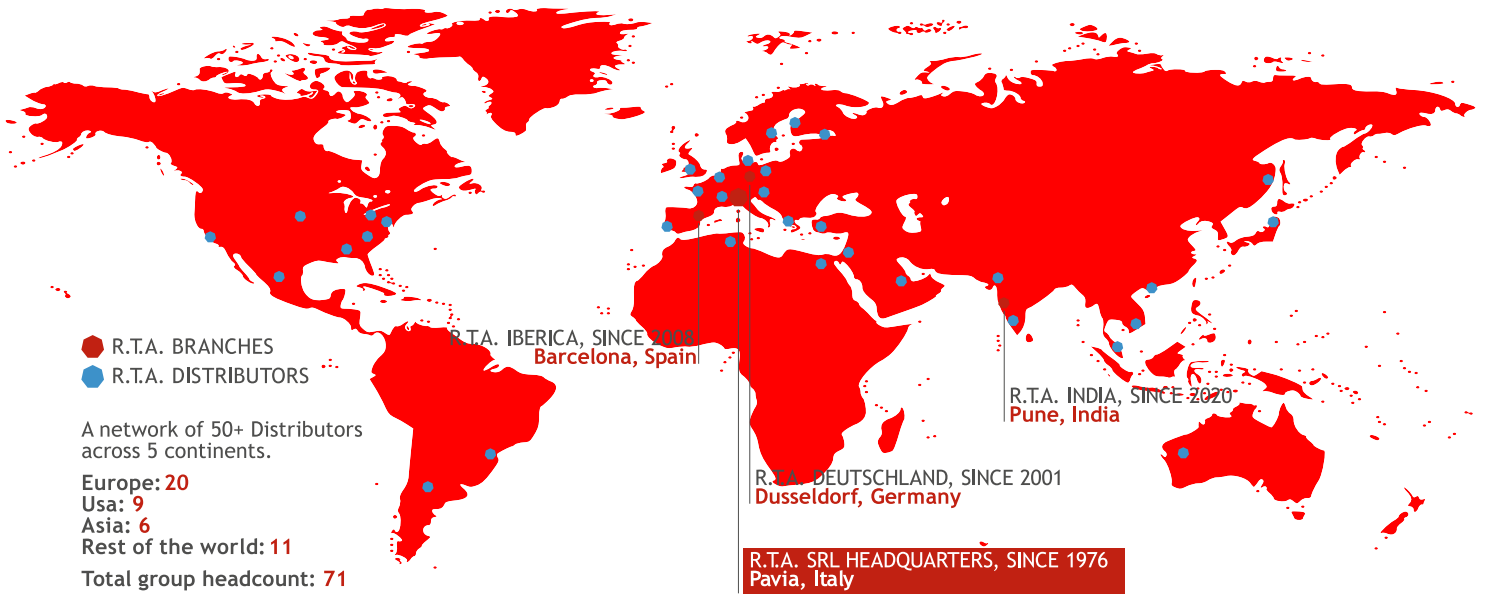
- 45+ years experience
- Robust industrial footprint
- High quality and reliability production
- Online and on-site technical support
- Continuous technological Innovation
- Internationalization



Look Ahead!

Our payoff means we chase change and we believe in technology, innovation and people.

R.T.A. in the world



R.T.A. ITALY - HEADQUARTERS
 Founding year: **1976**
 Total headcount: **60**

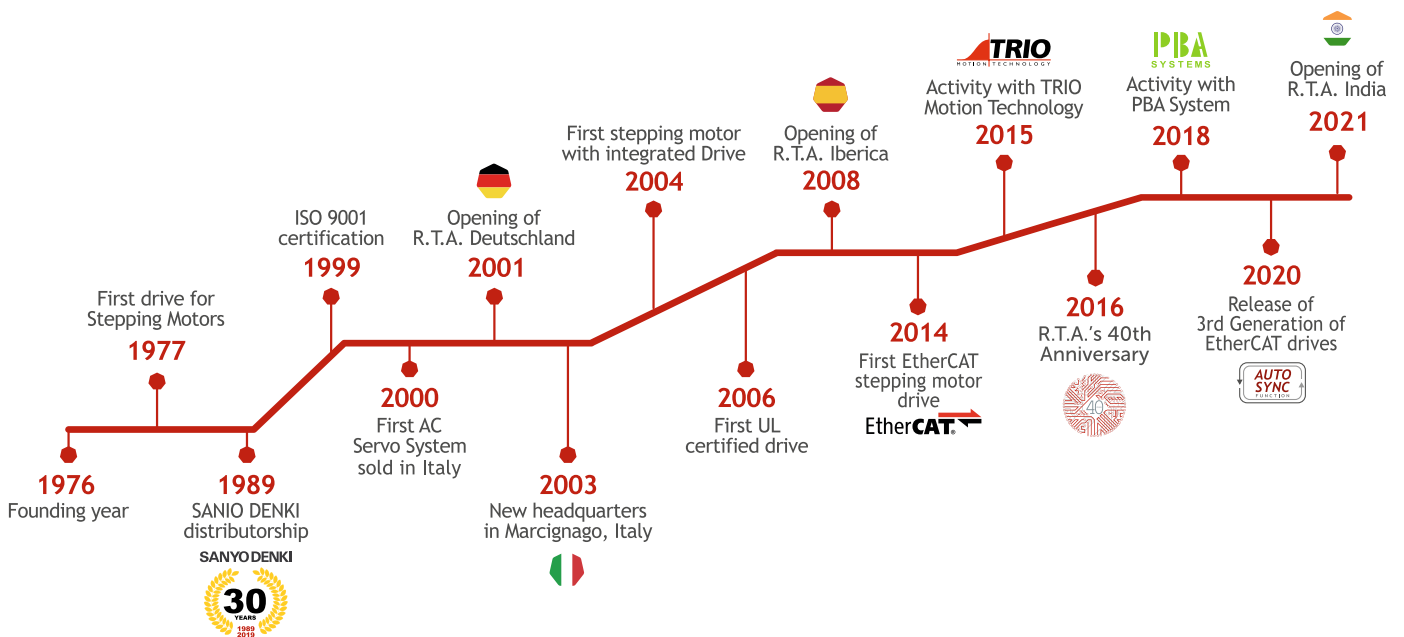
R.T.A. DEUTSCHLAND
 Founding year: **2001**
 Total headcount: **7**

R.T.A. IBERICA
 Founding year: **2008**
 Total headcount: **3**

R.T.A. INDIA
 Founding year: **2021**
 Total headcount: **1**

R.T.A. corporate milestones

RESEARCH, INNOVATION AND GROWTH



○ Certified reliability



2 YEARS
OF WORLDWIDE RECOGNIZED WARRANTY



COMPUTERIZED TESTING LINE
EVERY DRIVE IS TESTED TWICE BY TWO
DIFFERENT OPERATORS



ISO 9001-2015
CERTIFIED QUALITY SYSTEM SINCE 1999



CUSTOMER SUPPORT
EXCELLENT PRE- AND POST-SALE SERVICE



○ One distinguishing feature of R.T.A.



20 years after installation we still grant the availability of our products.

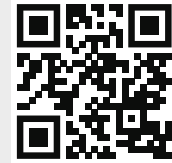
R.T.A. goes digital and social



CORPORATE WEBSITE

The general catalogue digital edition is also available at www.rta.it, R.T.A. corporate website always updated with the latest news.

www.rta.it



SCAN THE CODE



E-STORE

250+ products including Stepping Motor Drives, Stepping Motors, Gearboxes, Cooling Fans and nearly 100 spare parts and discontinued products.

www.rta-store.com



SCAN THE CODE



DOWNLOAD AREA

Hardware and software manuals, ESI files and 3D drawings can be easily downloaded at download.rta.it

download.rta.it

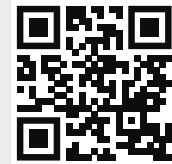


SCAN THE CODE



YOUTUBE CHANNEL

Corporate and promotional videos, technical demos and the recording of R.T.A. tech talk, providing highly-technological explanations and solutions



SCAN THE CODE



LINKEDIN PAGE

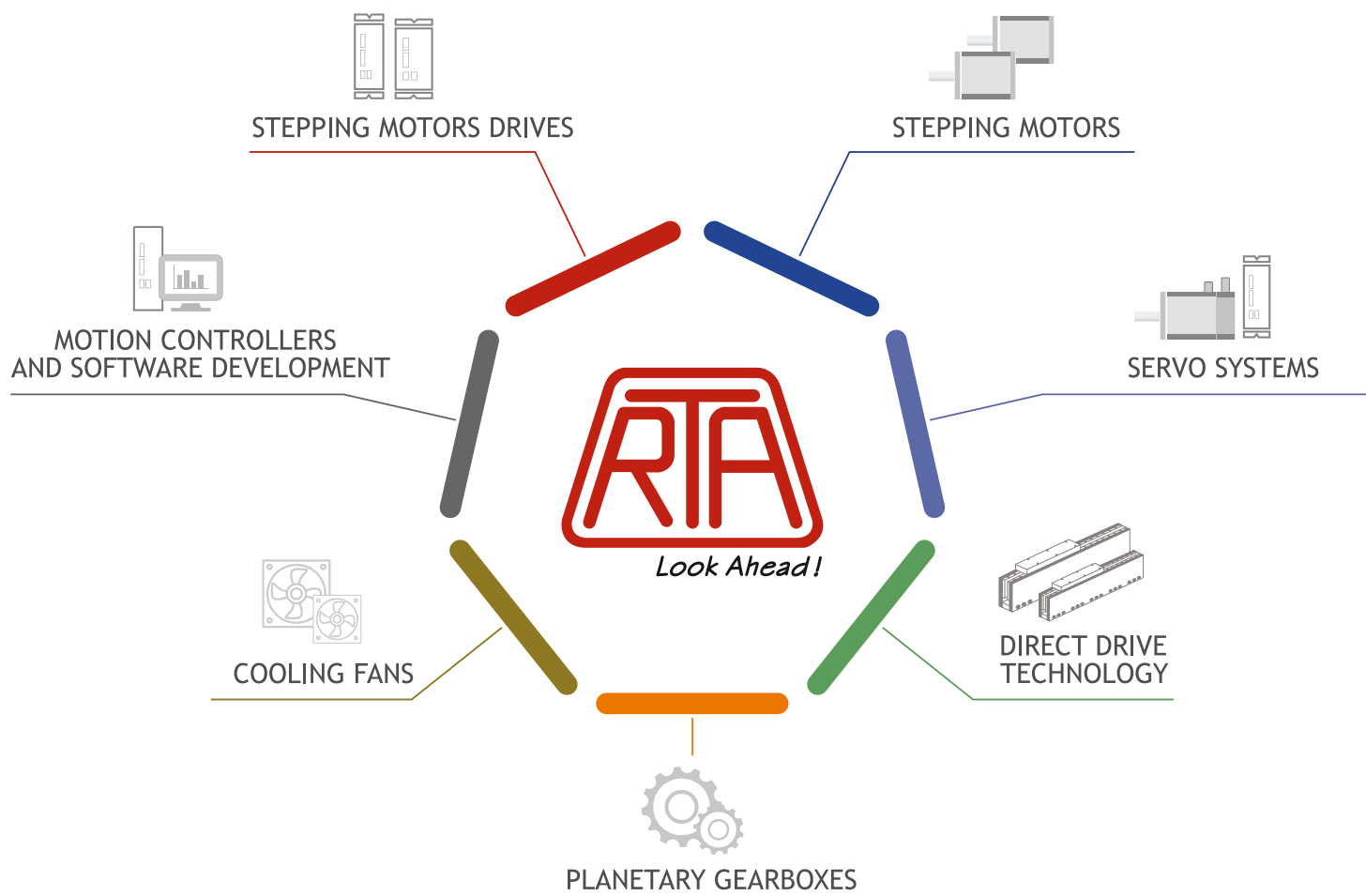
Follow R.T.A. on LinkedIn for the latest news and updates.



SCAN THE CODE

One partner for multiple integrated solutions

7 PRODUCT LINES



Deep, consolidated **Cross-sectional** know-how.

State of the art **Customer support** in every phase of the project.

High end service combined with **quick delivery** from stock
Of all product lines.

COOLING FANS



INDEX

DC AXIAL FANS	15
ACDC AXIAL FANS	41
AC AXIAL FANS	45
ACCESSORIES	50

Key advantages



SANYODENKI
San Ace
COOLING SYSTEMS

Exclusive Partnership with SANYO DENKI CO. since 1989, one of the main players in high quality cooling fans manufacturing in the world, with more than 2,500,000 fans/month.

- Japanese high quality and reliability, through automatized and robotized assembly line.
- Constantly evolving technologies ensuring excellent performances of San Ace products.
- Impressive products portfolio, with 5000+ models available from SANYO DENKI San Ace line-up.

R.T.A. added value: the service

- Dedicated warehouse with quick restore.
- Wide stock of models always available.
- Pre- and post-sale professional consulting and service.
- A team fully dedicated to San Ace products management and sales.

Main features

- Dual ball bearings.
- Voltage: **DC** **AC** **ACDC**
- Standard life expectancy: 60,000 hrs at 60°C.
- Standard operating temperature: -20°C to + 70°C.
- PWM control function, pulse, lock or low speed control sensors available.
- High performance even in harsh environments.
- Low power consumption and low noise.

◆ SANYO DENKI products line-up and solutions

Axial DC Fans Frame size from 36mm to 200mm.

Axial and centrifugal Splash Proof Fans Waterproof capability.

Long Life Fans Up to 180,000 hours of expected life at 60°C.

Counter Rotating Fans High airflow and high static pressure.

Centrifugal Fans and Blowers Air is blown in a centrifugal course.
High static pressure.

Reversible Flow Fans The wind directions can be switched.
Equivalent cooling performance can be obtained in both directions.

G-Proof Suitable for applications subject to high levels of G-Force or vibrations.

Wide Temperature Range Operating temperature range -40°C +85°C, with expected life 40,000 hrs at 85°C.

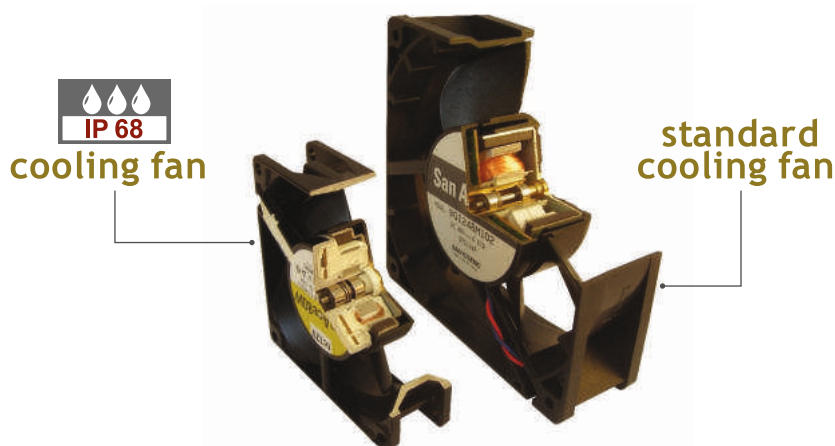
Oil-Proof Cooling Fans capable of operating in an oil-mist environment.

Air-Flow Tester A portable measuring device that enables you to easily measure the System Impedance and Operating Airflow of devices.

CABLING & CONNECTORS *Customized versions available*

◆ IP68 versions: excellent water and dust protection

In order to obtain a real total water and dust protection, the windings and the printed circuit board are completely drowned into a resin, leaving only the cables out.



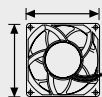
R.T.A. selection: 3 families, 25 models

5000 +
MODELS
AVAILABLE FROM
SANYO DENKI
San Ace
COOLING SYSTEMS

1 DC AXIAL FANS



Operating voltage 12VDC and 24 VDC



Frame Size

36 mm 40 mm 60 mm 80 mm 92 mm 120 mm 172 mm



Air Flow

0.18 m³/min → 8.5 m³/min

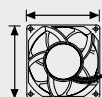


2 ACDC AXIAL FANS



ACDC fans operate by internally converting AC power into DC power, providing the superior performance of a DC fan with the flexibility of AC input.

Operating voltage range: from 100 VAC to 240 VAC



Frame Size

120 mm



Air Flow

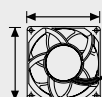
3.0 m³/min



3 AC AXIAL FANS



Operating Voltage: 230 VAC



Frame Size

80 mm 120 mm 172 mm



Air Flow

0.9 m³/min → 5.3 m³/min



Table of contents

COOLING FANS

	VERSION	RATED VOLTAGE (V)	AIR FLOW (M ³ /MIN)	STATIC PRESSURE (PA)	NOISE-SPL [DB(A)]	DIMENSIONS (MM)	PAGE
DC AXIAL FANS							
36 mm FRAME							
9GV3612G301	STANDARD	12 VDC-0.34 A	0.4	275	52	36x36x28	17
40 mm FRAME							
109P0424H702	STANDARD	24 VDC-0.08 A	0.18	75.5	28	40x40x15	18
109P0412H602	STANDARD	12 VDC-0.11 A	0.225	65.7	33	40x40x20	19
109P0424H602	STANDARD	24 VDC-0.07 A	0.233	69.6	35	40x40x20	20
109P0424J3023	HIGH SPEED	24 VDC-0.18 A	0.46	210	44	40x40x28	21
60 mm FRAME							
109P0624H702	STANDARD	24 VDC-0.06 A	0.4	38.2	32	60x60x15	22
9A0612H402	STANDARD	12 VDC-0.11 A	0.53	40.2	28	60x60x25	23
9A0624H402	STANDARD	24 VDC-0.06 A	0.53	40.2	28	60x60x25	24
109R0624J402	HIGH SPEED	24 VDC-0.24 A	1.06	155	44	60x60x25	25
9WP0612H402	IP 68	12 VDC-0.11 A	0.53	40.2	28	60x60x25	26
9WP0624H402	IP 68	24 VDC-0.06 A	0.53	40.2	28	60x60x25	27
80 mm FRAME							
9A0812H402	STANDARD	12 VDC-0.13 A	1.03	35.3	29	80x80x25	28
9A0824H402	STANDARD	24 VDC-0.07 A	1.03	35.3	29	80x80x25	29
9A0824G402	HIGH SPEED	24 VDC-0.21 A	1.5	80.3	40	80x80x25	30
9G0824G102	HIGH SPEED	24 VDC-0.56 A	2.55	211	51	80x80x38	31
92 mm FRAME							
9A0912H402	STANDARD	12 VDC-0.21 A	1.45	44	33	92x92x25	32
9A0924H402	STANDARD	24 VDC-0.1 A	1.45	44	33	92x92x25	33
9A0912G4021	HIGH SPEED	12 VDC-0.39 A	1.76	66.5	43	92x92x25	34
120 mm FRAME							
9G1224H402	STANDARD	24 VDC-0.17 A	2.5	64	40	120x120x25	35
9G1224H102	HIGH SPEED	24 VDC-0.22 A	2.8	70.4	39	120x120x38	36
9G1224G102	HIGH SPEED	24 VDC-0.5 A	3.88	135	49	120x120x38	37
9GL1224J102	LONG LIFE HIGH SPEED	24 VDC-1 A	5.1	230	57	120x120x38	38
172 mm FRAME							
109E5724H502	HIGH SPEED	24 VDC-1.3 A	6.4	137.2	52	172x150x51	39
109E5724K501	HIGH SPEED	24 VDC-1.3 A	8.5	243	60	172x150x51	40
ACDC AXIAL FANS							
120 mm FRAME							
9AD1201H12	ACDC	100 to 240 VAC - 0.08 A	3	84	42	120x120x38	43
AC AXIAL FANS							
80 mm FRAME							
109-154	AC	230 VAC - 0.06 A	1.05	44.1	39	80x80x38	47
120 mm FRAME							
109-S072 UL	AC	230 VAC - 0.11 A	2.9	68.7	45	120x120x38	48
172 mm FRAME Ø							
109-313	AC	230 VAC- 0.14 A	6.4	196	51	Ø 172x51	49

Table of contents

ACCESSORIES

	PAGE
METAL FAN GUARDS	51
PLASTIC FAN FILTERS	51

COOLING FANS
DC AXIAL FANS



SANYODENKI
San Ace

9GV3612G301

36x36x28 mm

12 V

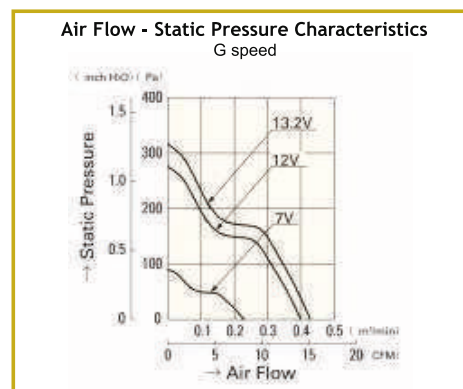
GV type



General Specifications

- **Material:**
 - Frame: Plastics (Flammability: UL 94V-0)
 - Impeller: Plastics (Flammability: UL 94V-1)
- **Expected Life:** 40,000 h (L10:Survival rate: 90% at 60 °C, rated voltage, and continuously run in a free air state)
- **Tach output**
- **Lead Wire:** ⊕ red ⊖ black Sensor yellow
- **Storage Temperature:** -20 °C to +70 °C (Non-condensing)
- **Ball bearings**
- **International Standards:** UL/CSA, TÜV, RoHS

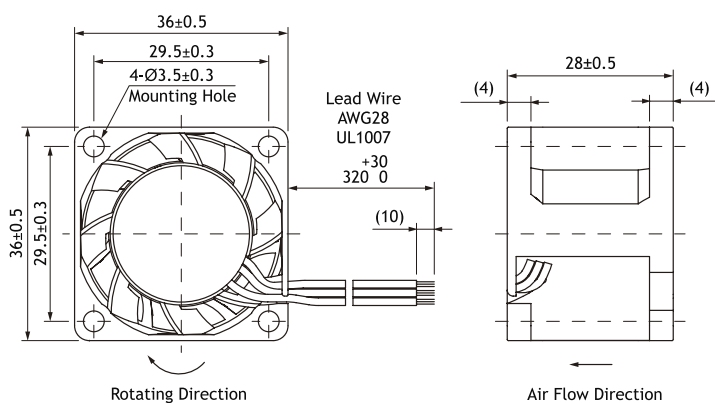
Air Flow - Static Pressure Characteristics



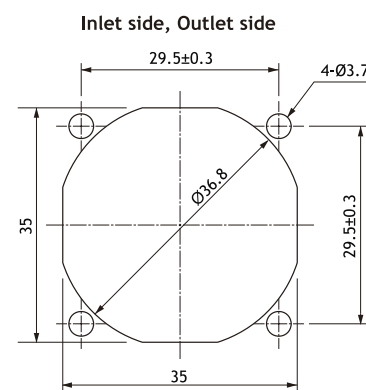
Specifications

Model No.	Rated Voltage [V]	Operating Voltage Range [V]	Rated Current [A]	Rated Input [W]	Rated Speed [min ⁻¹]	Max. Air Flow [m ³ /min]	Max. Air Flow [CFM]	Max. Static Pressure [Pa]	SPL [dB(A)]	Operating Temperature [°C]	Expected Life [h]	
9GV3612G301	12	7.0 to 13.2	0.34	4.08	14,000	0.40	14.1	275	1.104	52.0	-20 to +60	40,000/60°

Dimensions (Unit:mm)



Reference dimension of mounting holes and vent opening (Unit: mm)



36 mm sq.



- Model always available on stock at R.T.A.
- Also available for online purchasing at www.rta-store.com

40x40x15 mm

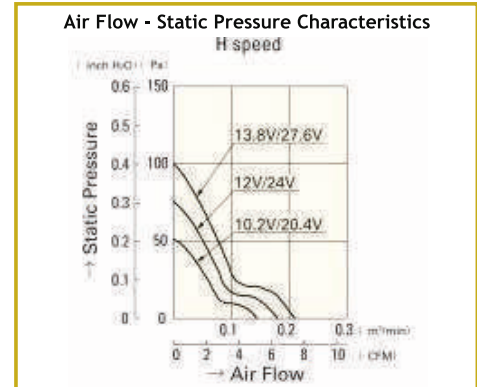
24 V



General Specifications

- **Material:**
 - Frame: Plastics (Flammability: UL 94V-0)
 - Impeller: Plastics (Flammability: UL 94V-1)
- **Expected Life:** 60,000 h (L10:Survival rate: 90% at 60 °C, rated voltage, and continuously run in a free air state)
- **Lead Wire:** ⊕ red ⊖ black or blue
- **Storage Temperature:** -30 °C to +70 °C (Non-condensing)
- **Ball bearings**
- **International Standards:** UL/CSA, TÜV, RoHS

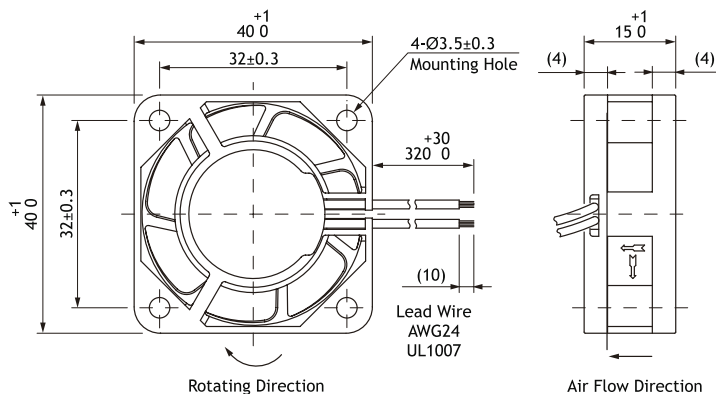
Air Flow - Static Pressure Characteristics



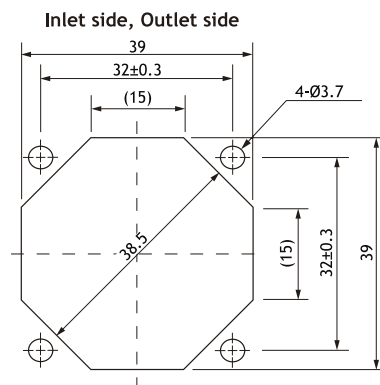
Specifications

Model No.	Rated Voltage [V]	Operating Voltage Range [V]	Rated Current [A]	Rated Input [W]	Rated Speed [min ⁻¹]	Max. Air Flow [m ³ /min]	Max. Air Flow [CFM]	Max. Static Pressure [Pa]	Max. Static Pressure [inchH ₂ O]	SPL [dB(A)]	Operating Temperature [°C]	Expected Life [h]
109P0424H702	24	20.4 to 27.6	0.08	1.92	7,700	0.18	6.4	75.5	0.303	28	-20 to +70	60,000/60°

Dimensions (Unit:mm)



Reference dimension of mounting holes and vent opening (Unit: mm)



40 mm sq.



- Model always available on stock at R.T.A.
- Also available for online purchasing at www.rta-store.com

SANYO DENKI
San Ace

109P0412H602

40x40x20 mm

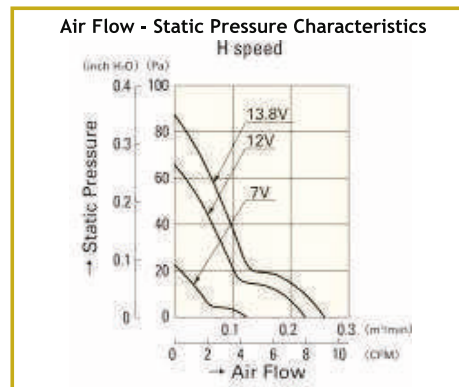
12 V



General Specifications

- Material:
 - Frame: Plastics (Flammability: UL 94V-0)
 - Impeller: Plastics (Flammability: UL 94V-1)
- Expected Life: 60,000 h (L10:Survival rate: 90% at 60 °C, rated voltage, and continuously run in a free air state)
- Lead Wire: ⊕ red ⊖ black or blue
- Storage Temperature: -30 °C to +70 °C (Non-condensing)
- Ball bearings
- International Standards: UL/CSA, TÜV, RoHS

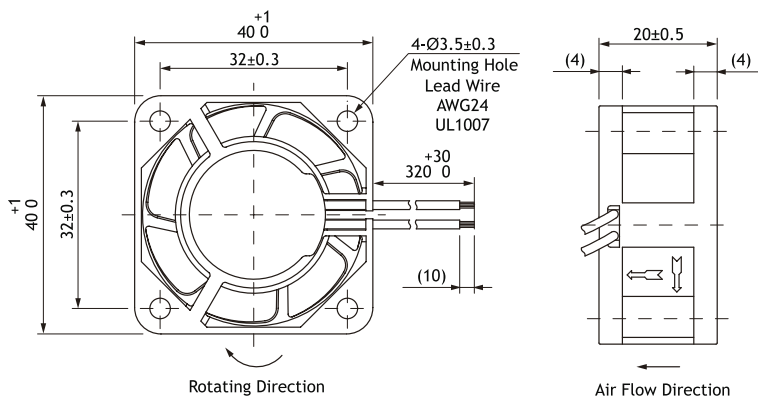
Air Flow - Static Pressure Characteristics



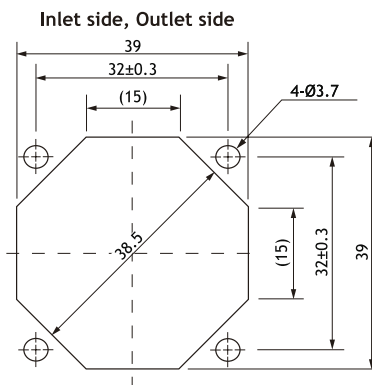
Specifications

Model No.	Rated Voltage [V]	Operating Voltage Range [V]	Rated Current [A]	Rated Input [W]	Rated Speed [min ⁻¹]	Max. Air Flow [m ³ /min]	Max. Air Flow [CFM]	Max. Static Pressure [Pa]	Max. Static Pressure [inchH ₂ O]	SPL [dB(A)]	Operating Temperature [°C]	Expected Life [h]
109P0412H602	12	7 to 13.8	0.11	1.32	8,000	0.225	8.0	65.7	0.264	33	-20 to +70	60,000/60°

Dimensions (Unit:mm)



Reference dimension of mounting holes and vent opening (Unit: mm)



40 mm sq.



- Model always available on stock at R.T.A.
- Also available for online purchasing at www.rta-store.com

40x40x20 mm

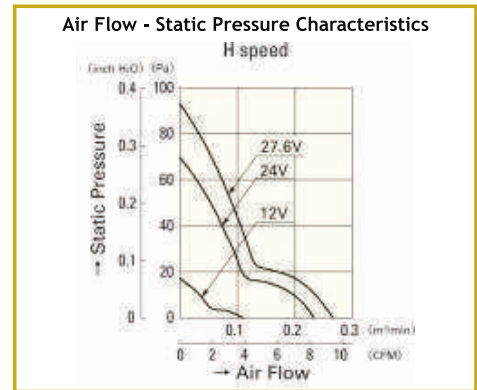
24 V



General Specifications

- **Material:**
 - Frame: Plastics (Flammability: UL 94V-0)
 - Impeller: Plastics (Flammability: UL 94V-1)
- **Expected Life:** 60,000 h (L10:Survival rate: 90% at 60 °C, rated voltage, and continuously run in a free air state)
- **Lead Wire:** ⊕ red ⊖ black or blue
- **Storage Temperature:** -30 °C to +70 °C (Non-condensing)
- **Ball bearings**
- **International Standards:** UL/CSA, TÜV, RoHS

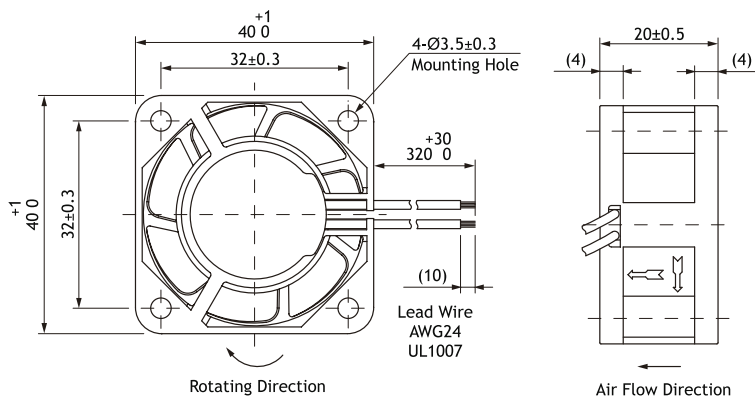
Air Flow - Static Pressure Characteristics



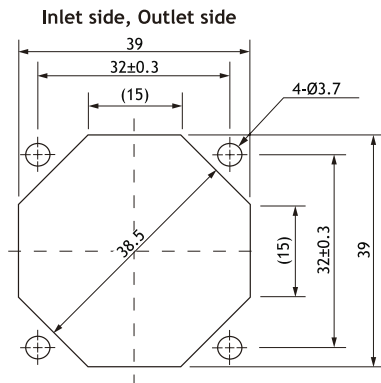
Specifications

Model No.	Rated Voltage [V]	Operating Voltage Range [V]	Rated Current [A]	Rated Input [W]	Rated Speed [min ⁻¹]	Max. Air Flow [m ³ /min]	Max. Air Flow [CFM]	Max. Static Pressure [Pa]	Max. Static Pressure [inchH ₂ O]	SPL [dB(A)]	Operating Temperature [°C]	Expected Life [h]
109P0424H602	24	12 to 27.6	0.07	1.68	8,300	0.233	8.2	69.6	0.280	35	-20 to +70	60,000/60°

Dimensions (Unit:mm)



Reference dimension of mounting holes and vent opening (Unit: mm)



40 mm sq.



- Model always available on stock at R.T.A.
- Also available for online purchasing at www.rta-store.com

SANYO DENKI
San Ace

109P0424J3023

40x40x28 mm

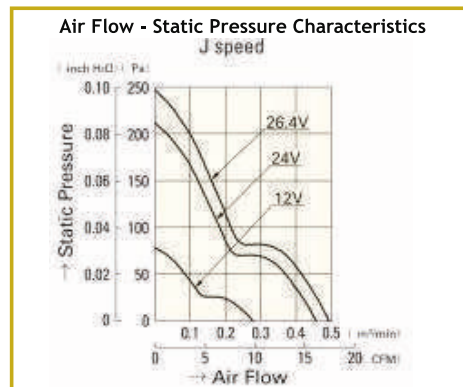
24 V



General Specifications

- **Material:**
- Frame: Plastics (Flammability: UL 94V-0)
- Impeller: Plastics (Flammability: UL 94V-1)
- **Expected Life:** 40,000 h (L10:Survival rate: 90% at 60 °C, rated voltage, and continuously run in a free air state)
- **Lead Wire:** ⊕ red ⊖ black or blue
- **Storage Temperature:** -30 °C to +70 °C (Non-condensing)
- **Ball bearings**
- **International Standards:** UL/CSA, TÜV, RoHS

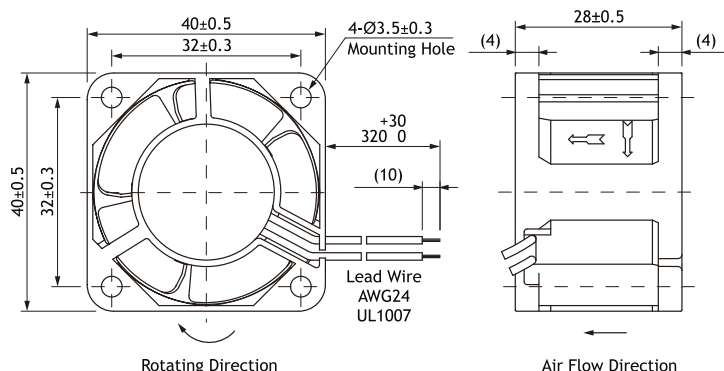
Air Flow - Static Pressure Characteristics



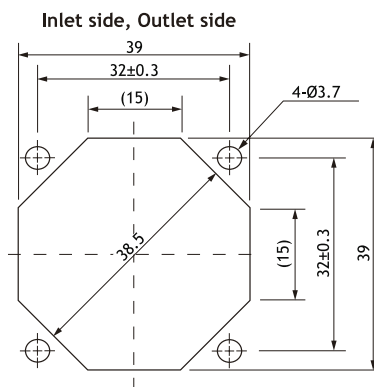
Specifications

Model No.	Rated Voltage [V]	Operating Voltage Range [V]	Rated Current [A]	Rated Input [W]	Rated Speed [min ⁻¹]	Max. Air Flow [m ³ /min]	Max. Air Flow [CFM]	Max. Static Pressure [Pa]	Max. Static Pressure [inchH ₂ O]	SPL [dB(A)]	Operating Temperature [°C]	Expected Life [h]
109P0424J3023	24	12 to 26.4	0.18	4.32	12,500	0.46	16.2	210	0.843	44	-20 to +60	40,000/60°

Dimensions (Unit:mm)



Reference dimension of mounting holes and vent opening (Unit: mm)



40 mm sq.



- Model always available on stock at R.T.A.
- Also available for online purchasing at www.rta-store.com

60x60x15 mm

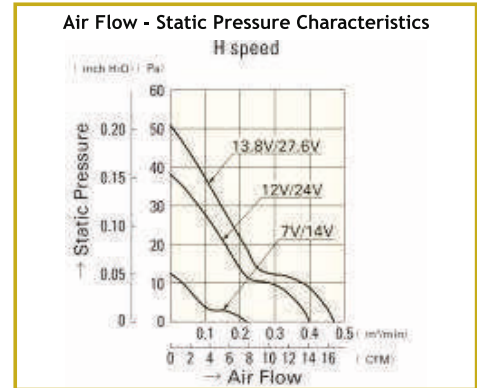
24 V



General Specifications

- **Material:**
 - Frame: Plastics (Flammability: UL 94V-0)
 - Impeller: Plastics (Flammability: UL 94V-1)
- **Expected Life:** 60,000 h (L10:Survival rate: 90% at 60 °C, rated voltage, and continuously run in a free air state)
- **Lead Wire:** ⊕ red ⊖ black or blue
- **Storage Temperature:** -30 °C to +70 °C (Non-condensing)
- **Ball bearings**
- **International Standards:** UL/CSA, TÜV, RoHS

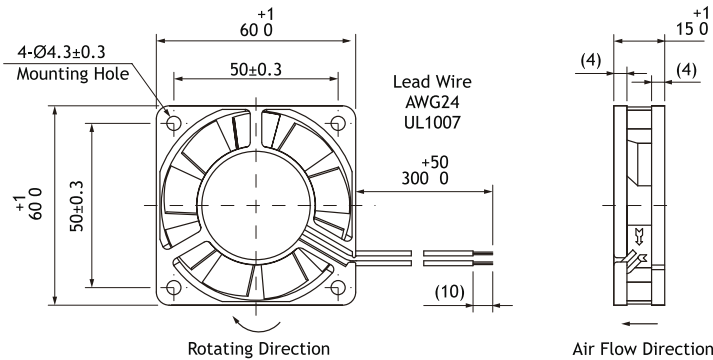
Air Flow - Static Pressure Characteristics



Specifications

Model No.	Rated Voltage [V]	Operating Voltage Range [V]	Rated Current [A]	Rated Input [W]	Rated Speed [min ⁻¹]	Max. Air Flow [m ³ /min]	Max. Air Flow [CFM]	Max. Static Pressure [Pa]	Max. Static Pressure [inchH ₂ O]	SPL [dB(A)]	Operating Temperature [°C]	Expected Life [h]
109P0624H702	24	14 to 27.6	0.06	1.44	4,100	0.40	14.1	38.2	0.153	32	-20 to +70	60,000/60°

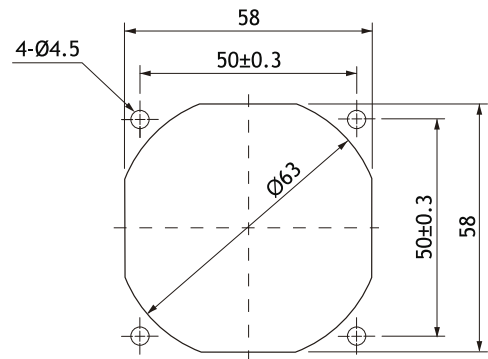
Dimensions (Unit:mm)



Reference dimension of mounting

holes and vent opening (Unit: mm)

Inlet side, Outlet side



60 mm sq.



- Model always available on stock at R.T.A.
- Also available for online purchasing at www.rta-store.com

SANYO DENKI
San Ace

9A0612H402

60x60x25 mm

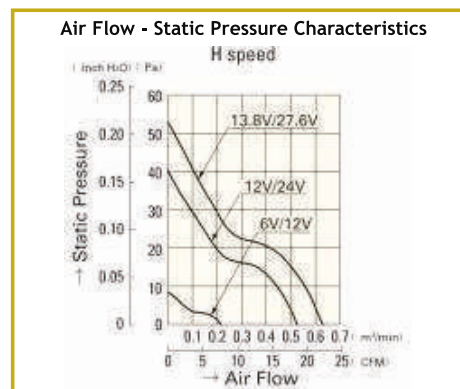
12 V



General Specifications

- **Material:**
- Frame: Plastics (Flammability: UL 94V-0)
- Impeller: Plastics (Flammability: UL 94V-1)
- **Expected Life:** 40,000 h (L10:Survival rate: 90% at 60 °C, rated voltage, and continuously run in a free air state)
- **Lead Wire:** ⊕ red ⊖ black or blue
- **Storage Temperature:** -30 °C to +70 °C (Non-condensing)
- **Ball bearings**
- **International Standards:** UL/CSA, TÜV, RoHS

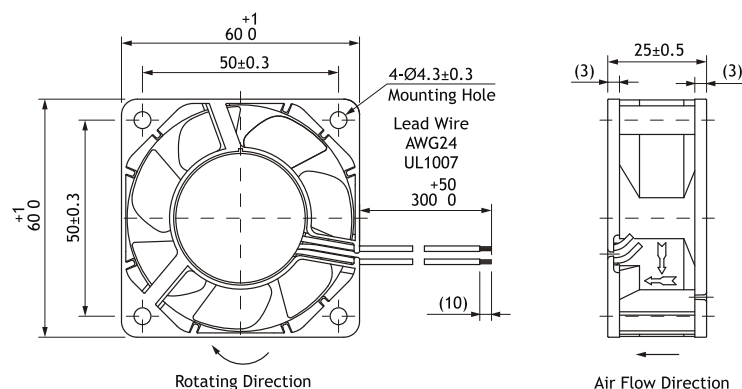
Air Flow - Static Pressure Characteristics



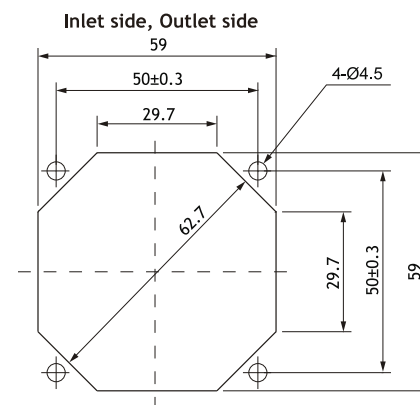
Specifications

Model No.	Rated Voltage [V]	Operating Voltage Range [V]	Rated Current [A]	Rated Input [W]	Rated Speed [min ⁻¹]	Max. Air Flow [m ³ /min]	Max. Air Flow [CFM]	Max. Static Pressure [Pa]	Max. Static Pressure [inchH ₂ O]	SPL [dB(A)]	Operating Temperature [°C]	Expected Life [h]
9A0612H402	12	6 to 13.8	0.11	1.32	3,800	0.53	18.7	40.2	0.161	28	-20 to +70	40,000/60°

Dimensions (Unit:mm)



Reference dimension of mounting holes and vent opening (Unit: mm)



60 mm sq.



- Model always available on stock at R.T.A.
- Also available for online purchasing at www.rta-store.com

60x60x25 mm

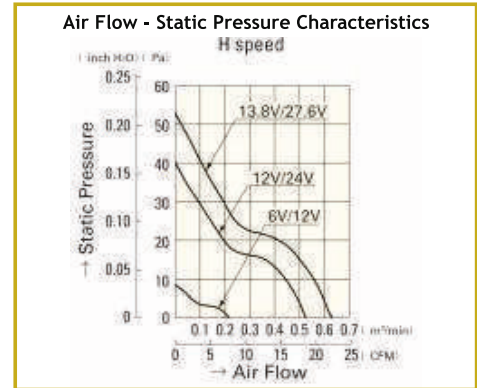
24 V



General Specifications

- **Material:**
 - Frame: Plastics (Flammability: UL 94V-0)
 - Impeller: Plastics (Flammability: UL 94V-1)
- **Expected Life:** 40,000 h (L10:Survival rate: 90% at 60 °C, rated voltage, and continuously run in a free air state)
- **Lead Wire:** ⊕ red ⊖ black or blue
- **Storage Temperature:** -30 °C to +70 °C (Non-condensing)
- **Ball bearings**
- **International Standards:** UL/CSA, TÜV, RoHS

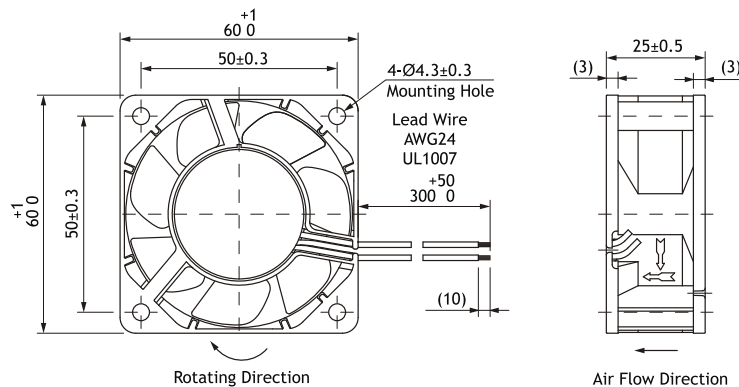
Air Flow - Static Pressure Characteristics



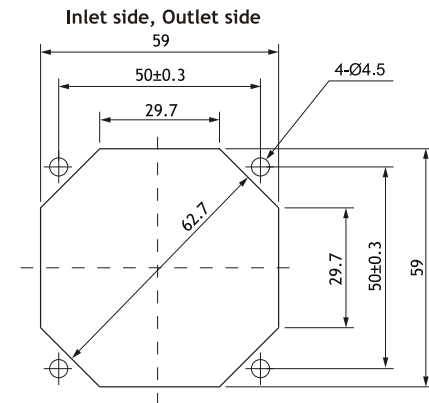
Specifications

Model No.	Rated Voltage [V]	Operating Voltage Range [V]	Rated Current [A]	Rated Input [W]	Rated Speed [min ⁻¹]	Max. Air Flow [m ³ /min]	Max. Air Flow [CFM]	Max. Static Pressure [Pa]	SPL [dB(A)]	Operating Temperature [°C]	Expected Life [h]	
9A0624H402	24	12 to 27.6	0.06	1.44	3,800	0.53	18.7	40.2	0.161	28	-20 to +70	40,000/60°

Dimensions (Unit:mm)



Reference dimension of mounting holes and vent opening (Unit: mm)



60 mm sq.



- Model always available on stock at R.T.A.
- Also available for online purchasing at www.rta-store.com

SANYO DENKI
San Ace

109R0624J402

60x60x25 mm

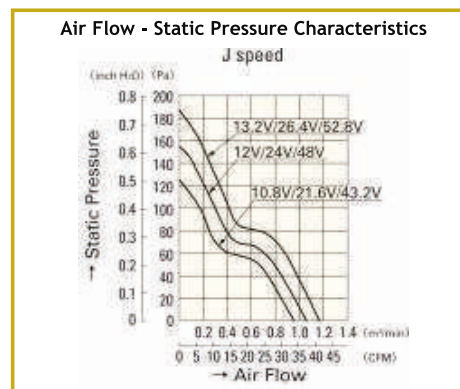
24 V



General Specifications

- **Material:**
 - Frame: Plastics (Flammability: UL 94V-0)
 - Impeller: Plastics (Flammability: UL 94V-1)
- **Expected Life:** 40,000 h (L10:Survival rate: 90% at 60 °C, rated voltage, and continuously run in a free air state)
- **Lead Wire:** ⊕ red ⊖ black or blue
- **Storage Temperature:** -30 °C to +70 °C (Non-condensing)
- **Ball bearings**
- **International Standards:** UL/CSA, TÜV, RoHS

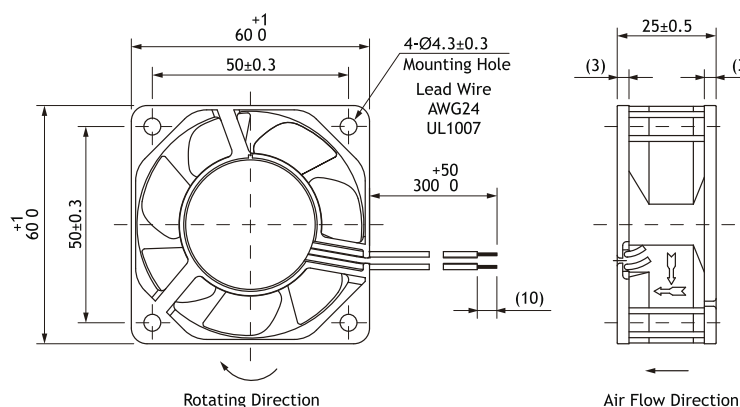
Air Flow - Static Pressure Characteristics



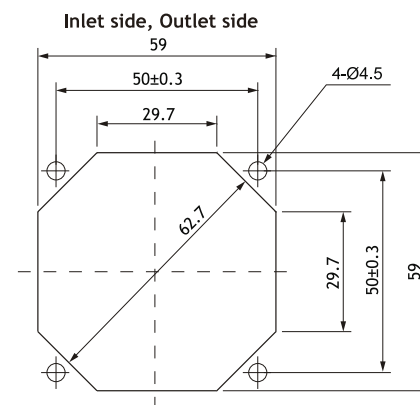
Specifications

Model No.	Rated Voltage [V]	Operating Voltage Range [V]	Rated Current [A]	Rated Input [W]	Rated Speed [min ⁻¹]	Max. Air Flow [m ³ /min]	Max. Air Flow [CFM]	Max. Static Pressure [Pa]	SPL [dB(A)]	Operating Temperature [°C]	Expected Life [h]	
109R0624J402	24	21.6 to 26.4	0.24	5.76	7,600	1.06	37.1	155.0	0.622	44	-20 to +60	40,000/60°

Dimensions (Unit:mm)



Reference dimension of mounting holes and vent opening (Unit: mm)



60 mm sq.



- Model always available on stock at R.T.A.
- Also available for online purchasing at www.rta-store.com

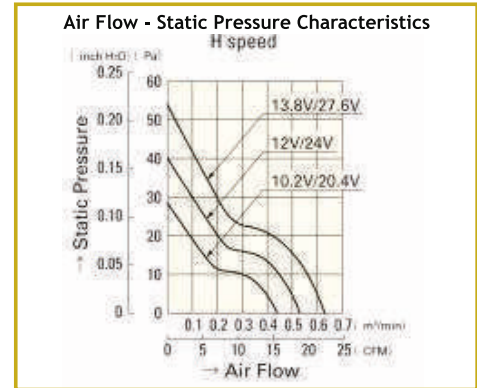
60x60x25 mm | **12 V** | **IP 68**



General Specifications

- **Material:**
 - Frame: Plastics (Flammability: UL 94V-0)
 - Impeller: Plastics (Flammability: UL 94V-1)
- **Expected Life:** 60,000 h (Indoor, L10:Survival rate: 90% at 60°C, rated voltage, and continuously run in a free air state)
- **Lead Wire:** ⊕ red ⊖ black
- **Storage Temperature:** -30°C to +70°C (Non-condensing)
- **Ball bearings**
- **International Standards:** UL/CSA, TÜV, RoHS

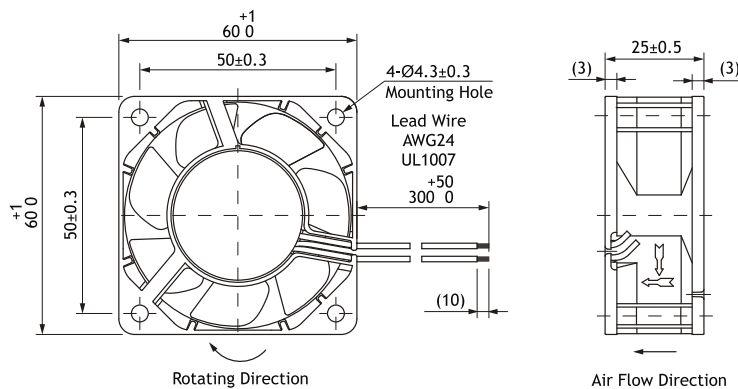
Air Flow - Static Pressure Characteristics



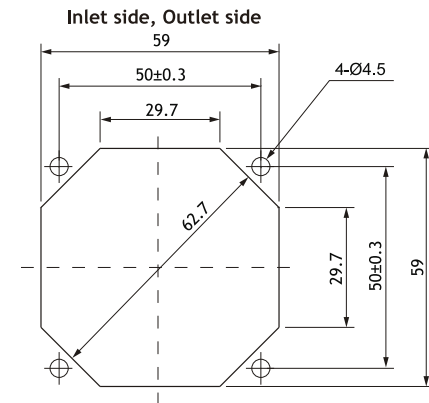
Specifications

Model No.	Rated Voltage [V]	Operating Voltage Range [V]	Rated Current [A]	Rated Input [W]	Rated Speed [min ⁻¹]	Max. Air Flow [m ³ /min]	Max. Air Flow [CFM]	Max. Static Pressure [Pa]	Max. Static Pressure [inchH ₂ O]	SPL [dB(A)]	Operating Temperature [°C]	Expected Life [h]
9WP0612H402	12	10.2 to 13.8	0.11	1.32	3,800	0.53	18.7	40.2	0.161	28	-20 to +70	60,000/60°

Dimensions (Unit:mm)



Reference dimension of mounting holes and vent opening (Unit: mm)



60 mm sq.



- Model always available on stock at R.T.A.
- Also available for online purchasing at www.rta-store.com

SANYO DENKI
San Ace

9WP0624H402

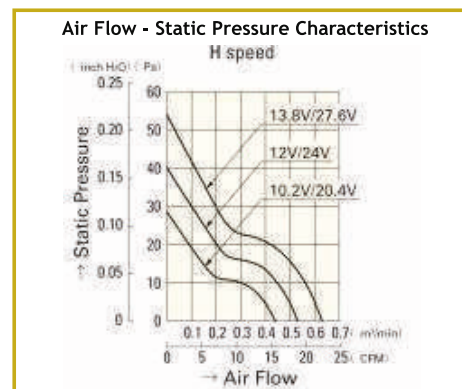
60x60x25 mm **24 V | IP 68**



General Specifications

- **Material:**
 - Frame: Plastics (Flammability: UL 94V-0)
 - Impeller: Plastics (Flammability: UL 94V-1)
- **Expected Life:** 60,000 h (Indoor, L10:Survival rate: 90% at 60 °C, rated voltage, and continuously run in a free air state)
- **Lead Wire:** ⊕ red ⊖ black
- **Storage Temperature:** -30 °C to +70 °C (Non-condensing)
- **Ball bearings**
- **International Standards:** UL/CSA, TÜV, RoHS

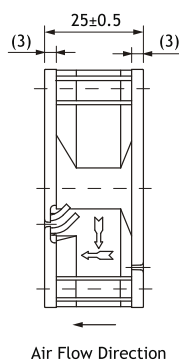
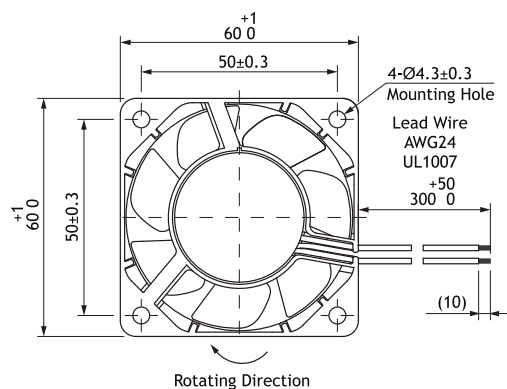
Air Flow - Static Pressure Characteristics



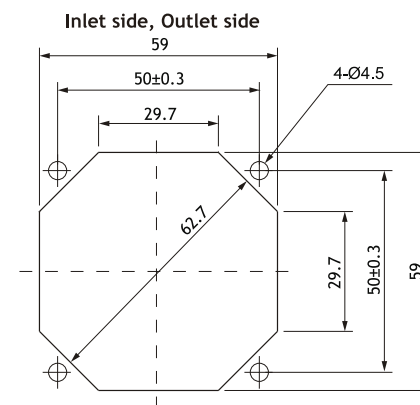
Specifications

Model No.	Rated Voltage [V]	Operating Voltage Range [V]	Rated Current [A]	Rated Input [W]	Rated Speed [min ⁻¹]	Max. Air Flow [m ³ /min]	Max. Air Flow [CFM]	Max. Static Pressure [Pa]	Max. Static Pressure [inchH ₂ O]	SPL [dB(A)]	Operating Temperature [°C]	Expected Life [h]
9WP0624H402	24	20.4 to 27.6	0.06	1.44	3,800	0.53	18.7	40.2	0.161	28	-20 to +70	60,000/60°

Dimensions (Unit:mm)



Reference dimension of mounting holes and vent opening (Unit: mm)



60 mm sq.



- Model always available on stock at R.T.A.
- Also available for online purchasing at www.rta-store.com

80x80x25 mm

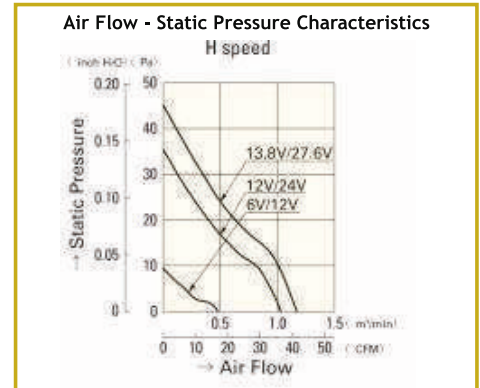
12 V



General Specifications

- **Material:**
- Frame: Plastics (Flammability: UL 94V-0)
- Impeller: Plastics (Flammability: UL 94V-1)
- **Expected Life:** 40,000 h (L10:Survival rate: 90% at 60 °C, rated voltage, and continuously run in a free air state)
- **Lead Wire:** ⊕ red ⊖ black or blue
- **Storage Temperature:** -30 °C to +70 °C (Non-condensing)
- **Ball bearings**
- **International Standards:** UL/CSA, TÜV, RoHS

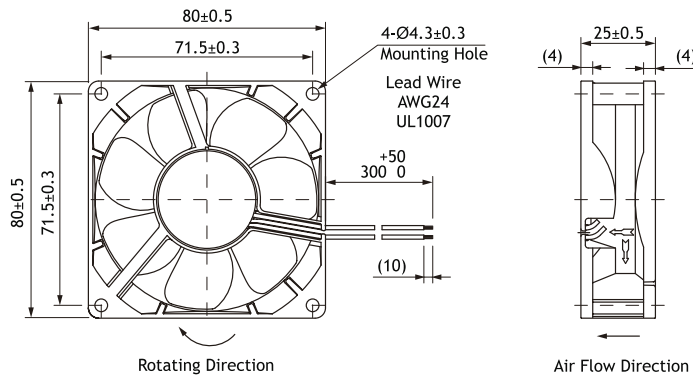
Air Flow - Static Pressure Characteristics



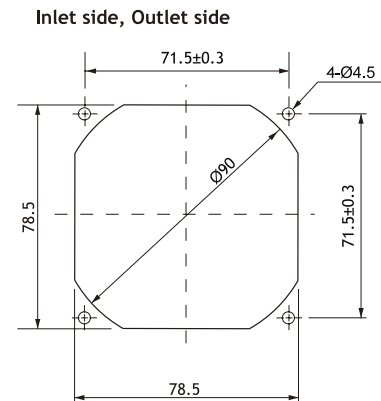
Specifications

Model No.	Rated Voltage [V]	Operating Voltage Range [V]	Rated Current [A]	Rated Input [W]	Rated Speed [min ⁻¹]	Max. Air Flow [m ³ /min]	Max. Air Flow [CFM]	Max. Static Pressure [Pa]	SPL [dB(A)]	Operating Temperature [°C]	Expected Life [h]	
9A0812H402	12	6 to 13.8	0.13	1.56	2,900	1.03	36.4	35.3	0.142	29	-20 to +70	40,000/60°

Dimensions (Unit:mm)



Reference dimension of mounting holes and vent opening (Unit: mm)



80 mm sq.



- Model always available on stock at R.T.A.
- Also available for online purchasing at www.rta-store.com

SANYO DENKI
San Ace

9A0824H402

80x80x25 mm

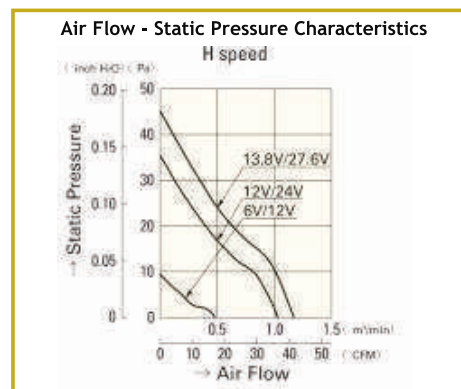
24 V



General Specifications

- **Material:**
- Frame: Plastics (Flammability: UL 94V-0)
- Impeller: Plastics (Flammability: UL 94V-1)
- **Expected Life:** 40,000 h (L10:Survival rate: 90% at 60 °C, rated voltage, and continuously run in a free air state)
- **Lead Wire:** ⊕ red ⊖ black or blue
- **Storage Temperature:** -30 °C to +70 °C (Non-condensing)
- **Ball bearings**
- **International Standards:** UL/CSA, TÜV, RoHS

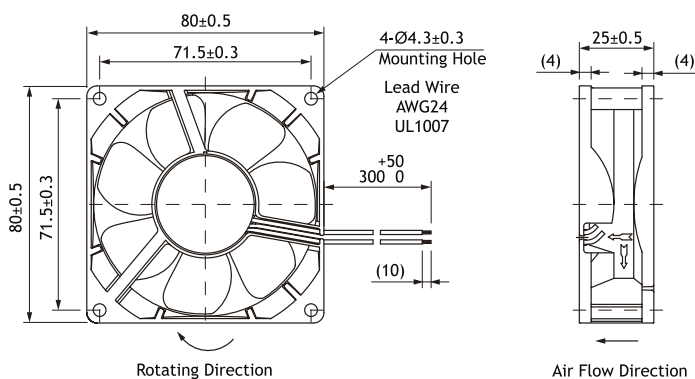
Air Flow - Static Pressure Characteristics



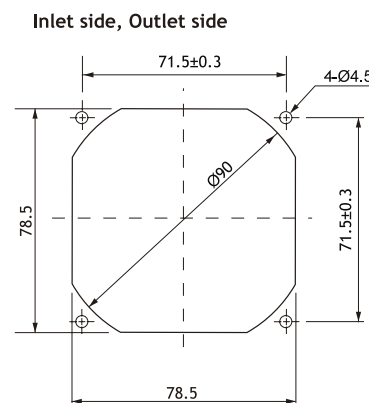
Specifications

Model No.	Rated Voltage [V]	Operating Voltage Range [V]	Rated Current [A]	Rated Input [W]	Rated Speed [min ⁻¹]	Max. Air Flow [m ³ /min]	Max. Air Flow [CFM]	Max. Static Pressure [Pa]	Max. Static Pressure [inchH ₂ O]	SPL [dB(A)]	Operating Temperature [°C]	Expected Life [h]
9A0824H402	24	12 to 27.6	0.07	1.68	2,900	1.03	36.4	35.3	0.142	29	-20 to +70	40,000/60°

Dimensions (Unit:mm)



Reference dimension of mounting holes and vent opening (Unit: mm)



80 mm sq.



- Model always available on stock at R.T.A.
- Also available for online purchasing at www.rta-store.com

80x80x25 mm

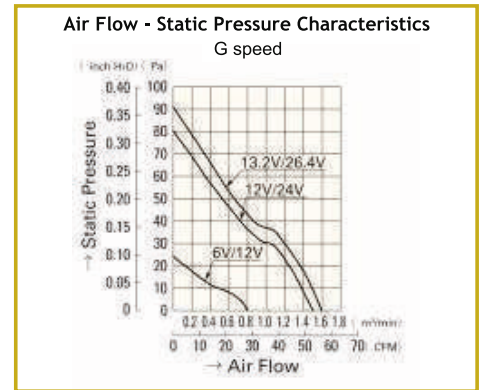
24 V



General Specifications

- **Material:**
 - Frame: Plastics (Flammability: UL 94V-0)
 - Impeller: Plastics (Flammability: UL 94V-1)
- **Expected Life:** 30,000 h (L10:Survival rate: 90% at 60 °C, rated voltage, and continuously run in a free air state)
- **Lead Wire:** ⊕ red ⊖ black or blue
- **Storage Temperature:** -30 °C to +70 °C (Non-condensing)
- **Ball bearings**
- **International Standards:** UL/CSA, TÜV, RoHS

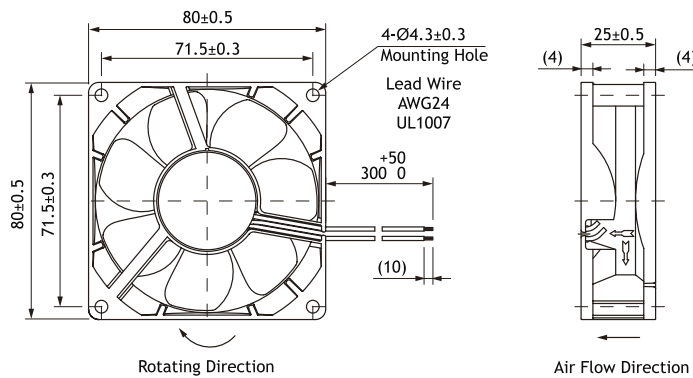
Air Flow - Static Pressure Characteristics



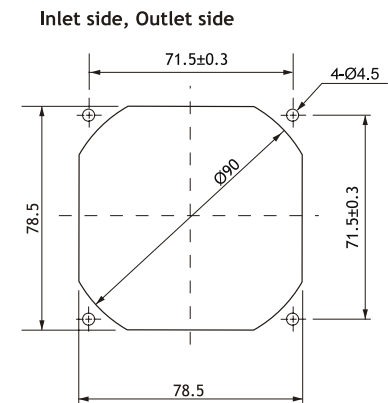
Specifications

Model No.	Rated Voltage [V]	Operating Voltage Range [V]	Rated Current [A]	Rated Input [W]	Rated Speed [min ⁻¹]	Max. Air Flow [m ³ /min]	Max. Air Flow [CFM]	Max. Static Pressure [Pa]	SPL [dB(A)]	Operating Temperature [°C]	Expected Life [h]	
9A0824G402	24	12 to 26.4	0.21	5.04	4,500	1.5	53.0	80.3	0.323	40	-20 to +60	30,000/60*

Dimensions (Unit:mm)



Reference dimension of mounting holes and vent opening (Unit: mm)



80 mm sq.



- Model always available on stock at R.T.A.
- Also available for online purchasing at www.rta-store.com

SANYO DENKI
San Ace

9G0824G102

80x80x38 mm

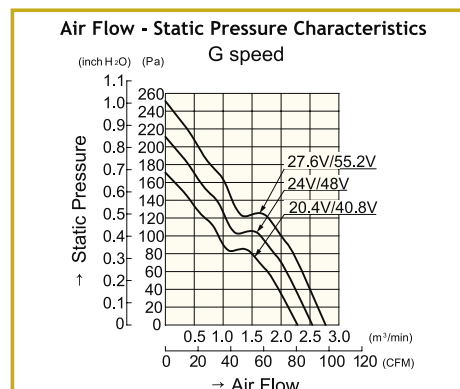
24 V



General Specifications

- **Material:**
- Frame: Plastics (Flammability: UL 94V-0)
- Impeller: Plastics (Flammability: UL 94V-1)
- **Expected Life:** 40,000 h (L10:Survival rate: 90% at 60 °C, rated voltage, and continuously run in a free air state)
- **Lead Wire:** ⊕ red ⊖ black
- **Storage Temperature:** -30 °C to +70 °C (Non-condensing)
- **Ball bearings**
- **International Standards:** UL/CSA, TÜV, RoHS

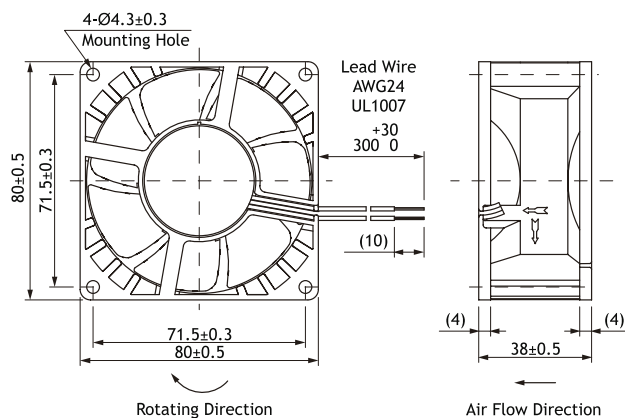
Air Flow - Static Pressure Characteristics



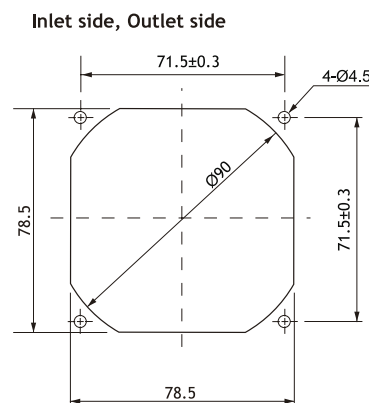
Specifications

Model No.	Rated Voltage [V]	Operating Voltage Range [V]	Rated Current [A]	Rated Input [W]	Rated Speed [min ⁻¹]	Max. Air Flow [m ³ /min]	Max. Air Flow [CFM]	Max. Static Pressure [Pa]	SPL [dB(A)]	Operating Temperature [°C]	Expected Life [h]	
9G0824G102	24	20.4 to 27.6	0.56	13.4	6,300	2.55	90	211	0.847	51	-20 to +70	30,000/60°

Dimensions (Unit:mm)



Reference dimension of mounting holes and vent opening (Unit: mm)



80 mm sq.



- Model always available on stock at R.T.A.
- Also available for online purchasing at www.rta-store.com

92x92x25 mm

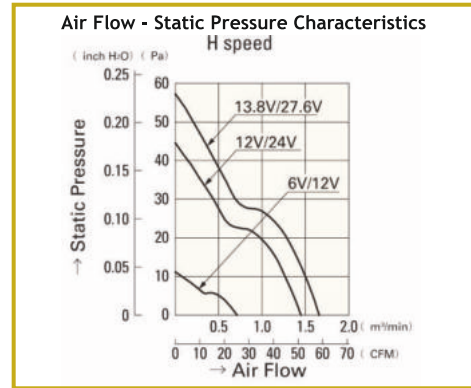
12 V



General Specifications

- Material:
 - Frame: Plastics (Flammability: UL 94V-0)
 - Impeller: Plastics (Flammability: UL 94V-1)
- Expected Life: 40,000 h (L10:Survival rate: 90% at 60 °C, rated voltage, and continuously run in a free air state)
- Lead Wire: ⊕ red ⊖ black or blue
- Storage Temperature: -30 °C to +70 °C (Non-condensing)
- Ball bearings
- International Standards: UL/CSA, TÜV, RoHS

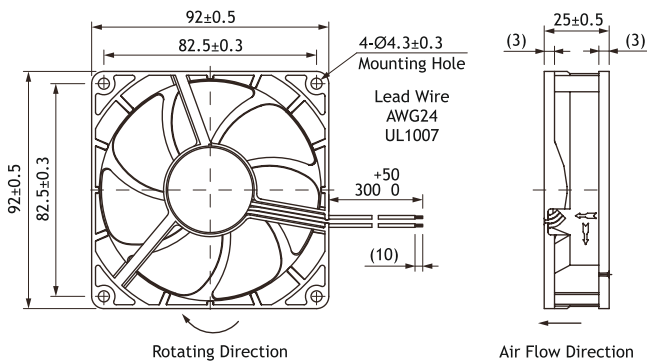
Air Flow - Static Pressure Characteristics



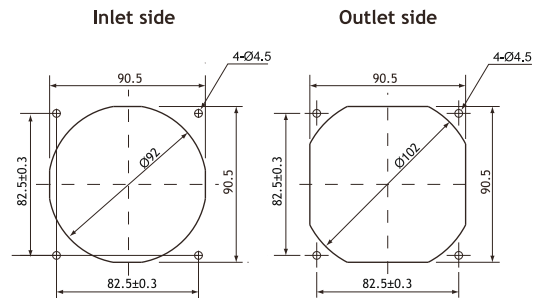
Specifications

Model No.	Rated Voltage [V]	Operating Voltage Range [V]	Rated Current [A]	Rated Input [W]	Rated Speed [min ⁻¹]	Max. Air Flow [m ³ /min]	Max. Air Flow [CFM]	Max. Static Pressure [Pa]	SPL [dB(A)]	Operating Temperature [°C]	Expected Life [h]	
9A0912H402	12	6 to 13.8	0.21	2.52	3,150	1.45	51.2	44	0.177	33	-20 to +70	40,000/60

Dimensions (Unit:mm)



Reference dimension of mounting holes and vent opening (Unit: mm)



92 mm sq.



- Model always available on stock at R.T.A.
- Also available for online purchasing at www.rta-store.com

SANYO DENKI
San Ace

9A0924H402

92x92x25 mm

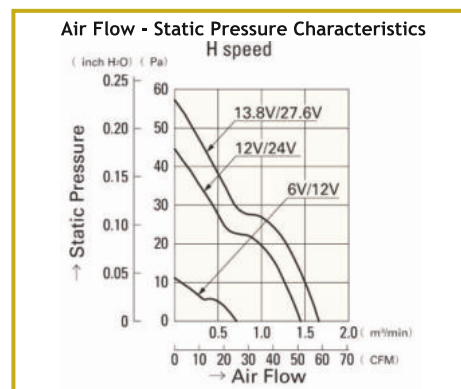
24 V



General Specifications

- **Material:**
- Frame: Plastics (Flammability: UL 94V-0)
- Impeller: Plastics (Flammability: UL 94V-1)
- **Expected Life:** 40,000 h (L10:Survival rate: 90% at 60 °C, rated voltage, and continuously run in a free air state)
- **Lead Wire:** ⊕ red ⊖ black or blue
- **Storage Temperature:** -30 °C to +70 °C (Non-condensing)
- **Ball bearings**
- **International Standards:** UL/CSA, TÜV, RoHS

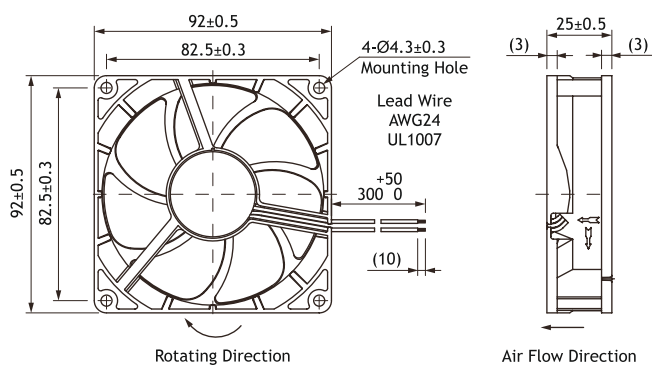
Air Flow - Static Pressure Characteristics



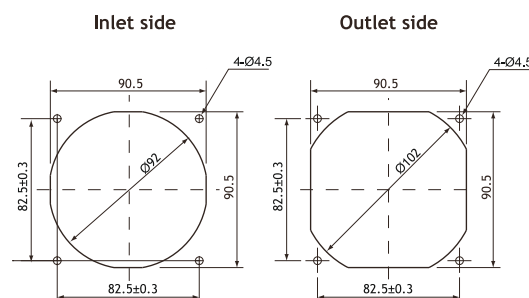
Specifications

Model No.	Rated Voltage [V]	Operating Voltage Range [V]	Rated Current [A]	Rated Input [W]	Rated Speed [min ⁻¹]	Max. Air Flow [m ³ /min] [CFM]	Max. Static Pressure [Pa] [inchH ₂ O]	SPL [dB(A)]	Operating Temperature [°C]	Expected Life [h]
9A0924H402	24	12 to 27.6	0.1	2.4	3,150	1.45 51.2	44 0.177	33	-20 to +70	40,000/60'

Dimensions (Unit:mm)



Reference dimension of mounting holes and vent opening (Unit: mm)



92 mm sq.



- Model always available on stock at R.T.A.
- Also available for online purchasing at www.rta-store.com

92x92x25 mm

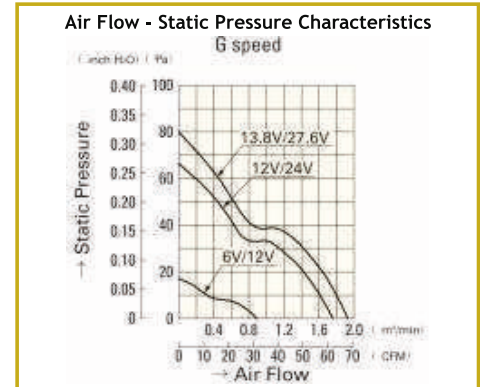
12 V Ribless



General Specifications

- **Material:**
 - Frame: Plastics (Flammability: UL 94V-0)
 - Impeller: Plastics (Flammability: UL 94V-1)
- **Expected Life:** 30,000 h (L10:Survival rate: 90% at 60 °C, rated voltage, and continuously run in a free air state)
- **Lead Wire:** ⊕ red ⊖ black or blue
- **Storage Temperature:** -30 °C to +70 °C (Non-condensing)
- **Ball bearings**
- **International Standards:** UL/CSA, TÜV, RoHS

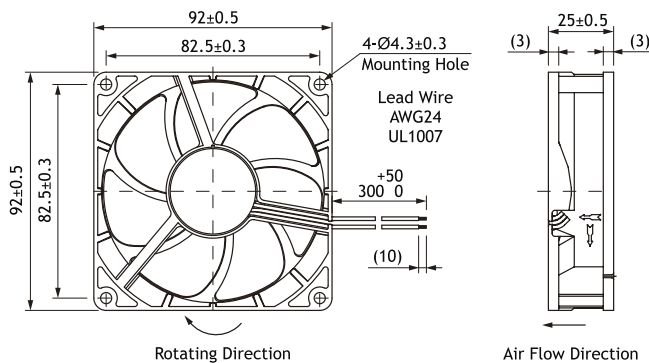
Air Flow - Static Pressure Characteristics



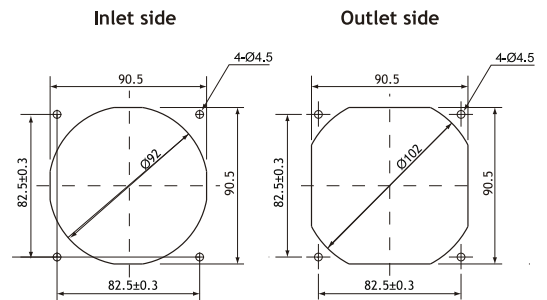
Specifications

Model No.	Rated Voltage [V]	Operating Voltage Range [V]	Rated Current [A]	Rated Input [W]	Rated Speed [min ⁻¹]	Max. Air Flow [m ³ /min]	Max. Air Flow [CFM]	Max. Static Pressure [Pa]	Max. Static Pressure [inchH ₂ O]	SPL [dB(A)]	Operating Temperature [°C]	Expected Life [h]
9A0912G4021	12	6 to 13.8	0.39	4.68	3,900	1.76	62.1	66.5	0.267	43	-20 to +60	30,000/60*

Dimensions (Unit:mm)



Reference dimension of mounting holes and vent opening (Unit: mm)



92 mm sq.



- Model always available on stock at R.T.A.
- Also available for online purchasing at www.rta-store.com

SANYO DENKI
San Ace

9G1224H402

120x120x25 mm

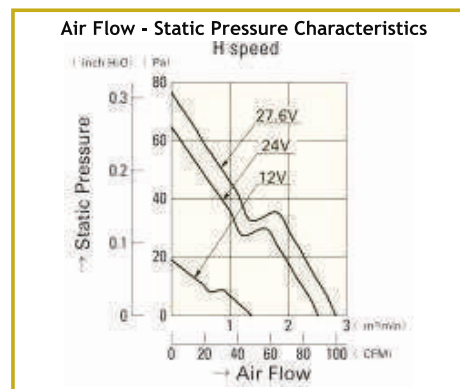
24 V



General Specifications

- **Material:**
- Frame: Plastics (Flammability: UL 94V-0)
- Impeller: Plastics (Flammability: UL 94V-1)
- **Expected Life:** 40,000 h (L10:Survival rate: 90% at 60 °C, rated voltage, and continuously run in a free air state)
- **Lead Wire:** ⊕ red ⊖ black or blue
- **Storage Temperature:** -30 °C to +70 °C (Non-condensing)
- **Ball bearings**
- **International Standards:** UL/CSA, TÜV, RoHS

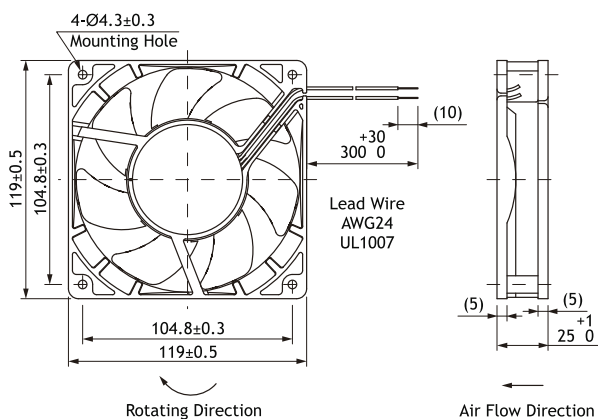
Air Flow - Static Pressure Characteristics



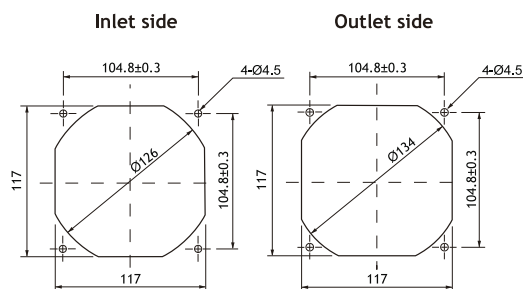
Specifications

Model No.	Rated Voltage [V]	Operating Voltage Range [V]	Rated Current [A]	Rated Input [W]	Rated Speed [min ⁻¹]	Max. Air Flow [m ³ /min]	Max. Air Flow [CFM]	Max. Static Pressure [Pa]	Max. Static Pressure [inchH ₂ O]	SPL [dB(A)]	Operating Temperature [°C]	Expected Life [h]
9G1224H402	24	12 to 27.6	0.17	4.08	2,850	2.50	88	64	0.257	40	-20 to +70	40,000/60°

Dimensions (Unit:mm)



Reference dimension of mounting holes and vent opening (Unit: mm)



120 mm sq.



- Model always available on stock at R.T.A.
- Also available for online purchasing at www.rta-store.com

120x120x38 mm

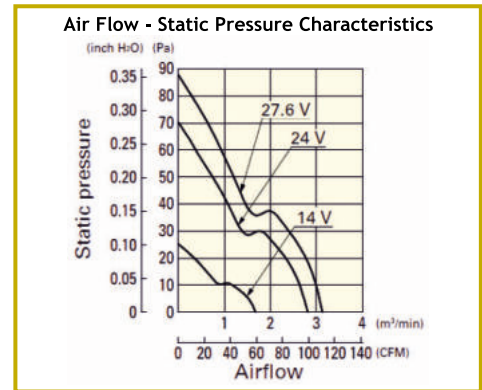
24 V



General Specifications

- **Material:**
 - Frame: Plastics (Flammability: UL 94V-0)
 - Impeller: Plastics (Flammability: UL 94V-1)
- **Expected Life:** 40,000 h (L10:Survival rate: 90% at 60 °C, rated voltage, and continuously run in a free air state)
- **Lead Wire:** ⊕ red ⊖ black or blue
- **Storage Temperature:** -30 °C to +70 °C (Non-condensing)
- **Ball bearings**
- **International Standards:** UL/CSA, TÜV, RoHS

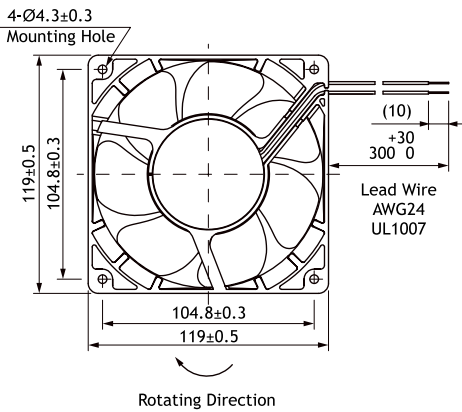
Air Flow - Static Pressure Characteristics



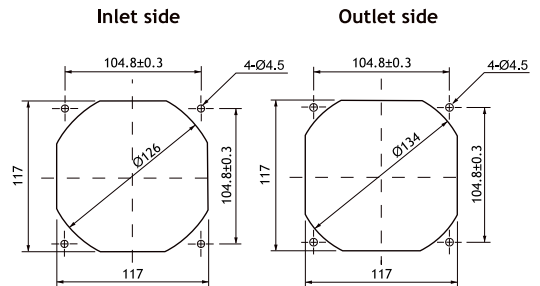
Specifications

Model No.	Rated Voltage [V]	Operating Voltage Range [V]	Rated Current [A]	Rated Input [W]	Rated Speed [min ⁻¹]	Max. Air Flow [m³/min]	Max. Air Flow [CFM]	Max. Static Pressure [Pa]	SPL [dB(A)]	Operating Temperature [°C]	Expected Life [h]	
9G1224H102	24	14.0 to 27.6	0.22	5.28	2,600	2.8	99	70.4	0.283	39	-20 to +70	40,000/60°

Dimensions (Unit:mm)



Reference dimension of mounting holes and vent opening (Unit: mm)



120 mm sq.



- Model always available on stock at R.T.A.
- Also available for online purchasing at www.rta-store.com

SANYO DENKI
San Ace

9G1224G102

120x120x38 mm

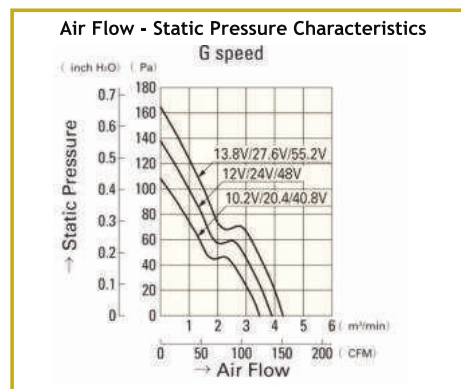
24 V



General Specifications

- **Material:**
 - Frame: Plastics (Flammability: UL 94V-0)
 - Impeller: Plastics (Flammability: UL 94V-1)
- **Expected Life:** 40,000 h (L10:Survival rate: 90% at 60 °C, rated voltage, and continuously run in a free air state)
- **Lead Wire:** ⊕ red ⊖ black or blue
- **Storage Temperature:** -30 °C to +70 °C (Non-condensing)
- **Ball bearings**
- **International Standards:** UL/CSA, TÜV, RoHS

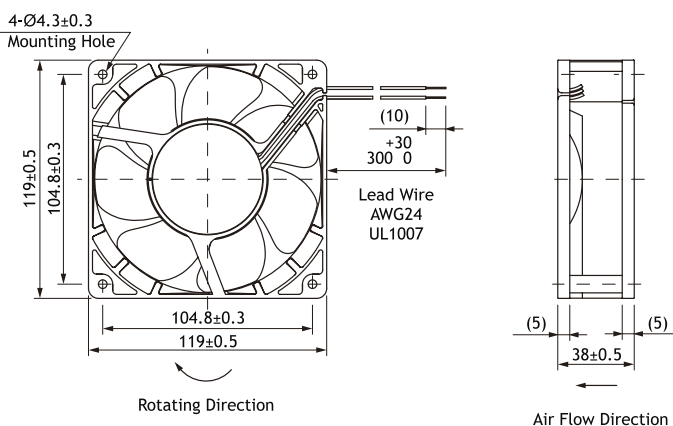
Air Flow - Static Pressure Characteristics



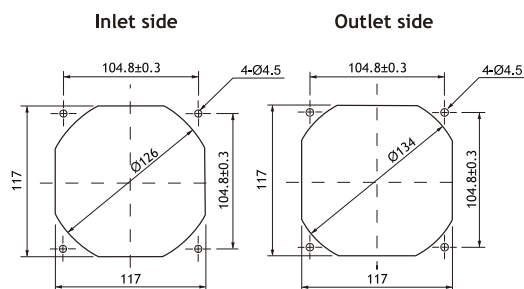
Specifications

Model No.	Rated Voltage [V]	Operating Voltage Range [V]	Rated Current [A]	Rated Input [W]	Rated Speed [min ⁻¹]	Max. Air Flow [m ³ /min]	Max. Air Flow [CFM]	Max. Static Pressure [Pa]	Max. Static Pressure [inchH ₂ O]	SPL [dB(A)]	Operating Temperature [°C]	Expected Life [h]
9G1224G102	24	20.4 to 27.6	0.50	12	3,600	3.88	137	135	0.542	49	-20 to +70	40,000/60°

Dimensions (Unit:mm)



Reference dimension of mounting holes and vent opening (Unit: mm)



120 mm sq.



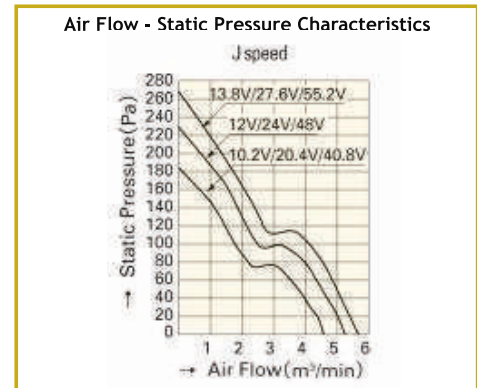
- Model always available on stock at R.T.A.
- Also available for online purchasing at www.rta-store.com

120x120x38 mm 24 V LONG LIFE

General Specifications

- **Material:**
- Frame: Aluminum
- Impeller: Plastics (Flammability: UL94V-1)
- **Expected Life:** 60,000 h (L10:Survival rate: 90% at 60 °C, rated voltage, and continuously run in a free air state)
- **Lead Wire:** ⊕ red ⊖ black or blue
- **Storage Temperature:** -30 °C to +70 °C (Non-condensing)
- **Ball bearings**

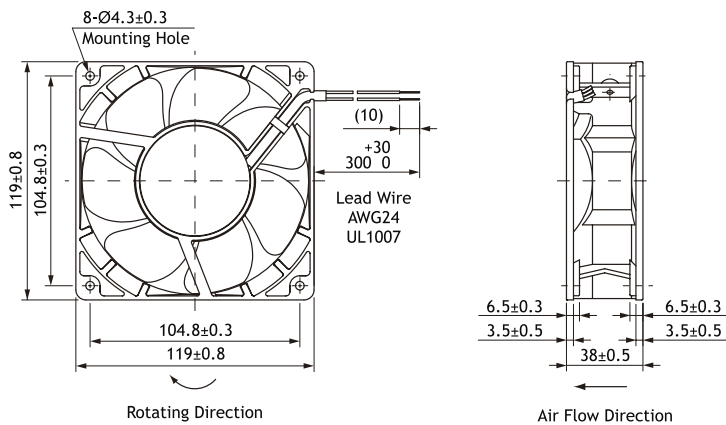
Air Flow - Static Pressure Characteristics



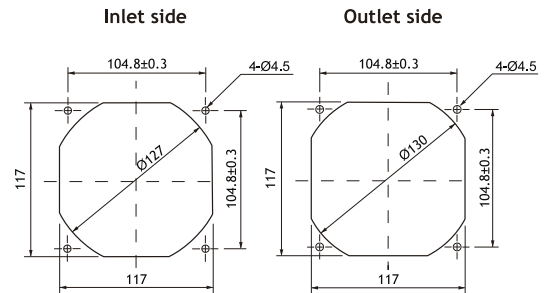
Specifications

Model No.	Rated Voltage [V]	Operating Voltage Range [V]	Rated Current [A]	Rated Input [W]	Rated Speed [min ⁻¹]	Max. Air Flow [m ³ /min]	Max. Air Flow [CFM]	Max. Static Pressure [Pa]	Max. Static Pressure [inchH ₂ O]	SPL [dB(A)]	Operating Temperature [°C]	Expected Life [h]
9GL1224J102	24	20.4 to 27.6	1.0	24	4,800	5.10	180	230	0.924	57	-10 to +70	60,000/60°

Dimensions (Unit:mm)



Reference dimension of mounting holes and vent opening (Unit: mm)



120 mm sq.



- Model always available on stock at R.T.A.
- Also available for online purchasing at www.rta-store.com

172x150x51 mm

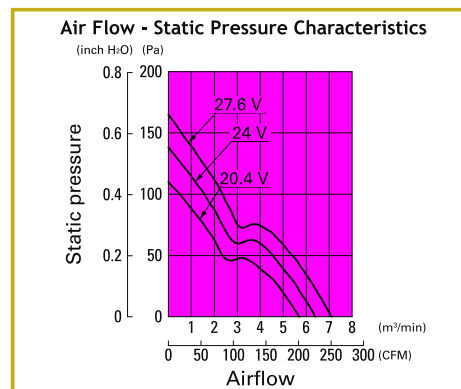
24 V



General Specifications

- **Material:**
- Frame: Aluminum
- Impeller: Plastics (Flammability: UL94V-1)
- **Expected Life:** 40,000 h (L10:Survival rate: 90% at 60 °C, rated voltage, and continuously run in a free air state)
- **Lead Wire:** ⊕ red ⊖ black or blue
- **Storage Temperature:** -30 °C to +70 °C (Non-condensing)
- **Ball bearings**
- **International Standards:** UL/CSA, TÜV, RoHS

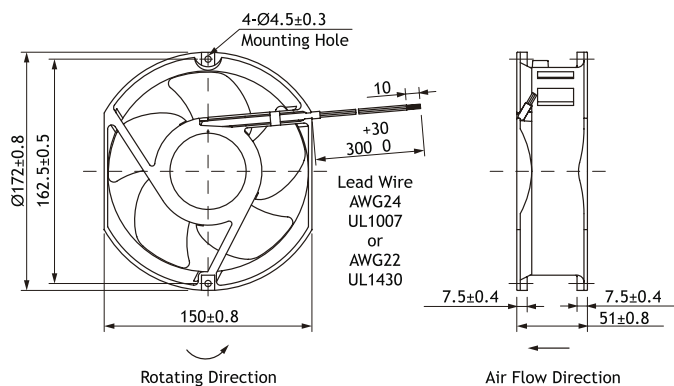
Air Flow - Static Pressure Characteristics



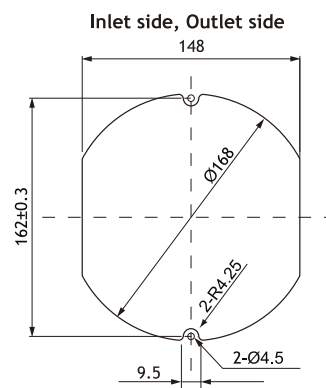
Specifications

Model No.	Rated Voltage [V]	Operating Voltage Range [V]	Rated Current [A]	Rated Input [W]	Rated Speed [min ⁻¹]	Max. Air Flow [m ³ /min]	Max. Air Flow [CFM]	Max. Static Pressure [Pa]	Max. Static Pressure [inchH ₂ O]	SPL [dB(A)]	Operating Temperature [°C]	Expected Life [h]
109E5724H502	24	20.4 to 27.6	0.58	13.92	3,050	6.4	226	137.2	0.551	52	-20 to +70	40,000/60°

Dimensions (Unit:mm)



Reference dimension of mounting holes and vent opening (Unit: mm)



Ø 172 mm



- Model always available on stock at R.T.A.
- Also available for online purchasing at www.rta-store.com

172x150x51 mm

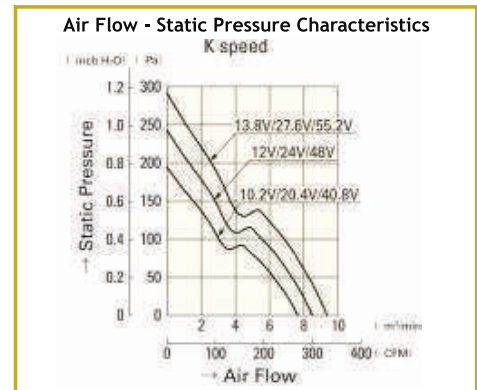
24 V



General Specifications

- **Material:**
- Frame: Aluminum
- Impeller: Plastics (Flammability: UL94V-1)
- **Expected Life:** 40,000 h (L10:Survival rate: 90% at 60 °C, rated voltage, and continuously run in a free air state)
- **Tach output**
- **Lead Wire:** ⊕ red ⊖ black or blue (Sensor) yellow
- **Storage Temperature:** -30 °C to +70 °C (Non-condensing)
- **Ball bearings**
- **International Standards:** UL/CSA, TÜV, RoHS

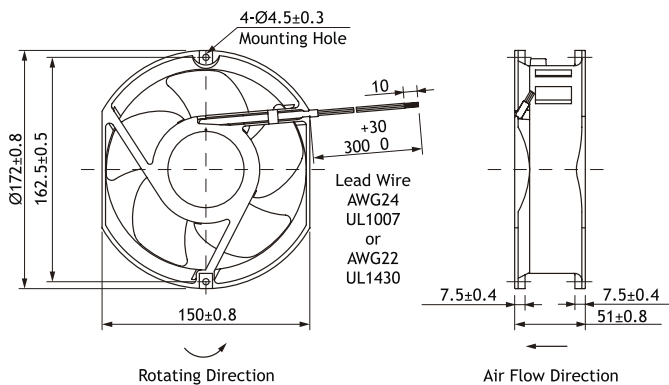
Air Flow - Static Pressure Characteristics



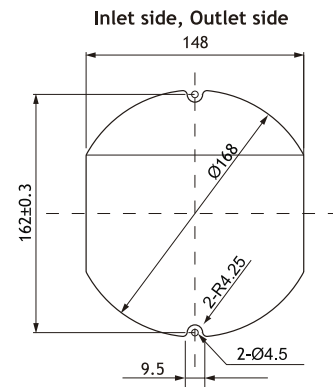
Specifications

Model No.	Rated Voltage [V]	Operating Voltage Range [V]	Rated Current [A]	Rated Input [W]	Rated Speed [min ⁻¹]	Max. Air Flow [m ³ /min]	Max. Air Flow [CFM]	Max. Static Pressure [Pa]	SPL [dB(A)]	Operating Temperature [°C]	Expected Life [h]	
109E5724K501	24	20.4 to 27.6	1.3	31.2	4,100	8.5	300	243.0	0.976	60	-20 to +70	40,000/60

Dimensions (Unit:mm)



Reference dimension of mounting holes and vent opening (Unit: mm)



Ø **172** mm



- Model always available on stock at R.T.A.
- Also available for online purchasing at www.rta-store.com

COOLING FANS
ACDC AXIAL FANS



SANYO DENKI
San Ace

9AD1201H12

120x120x38 mm

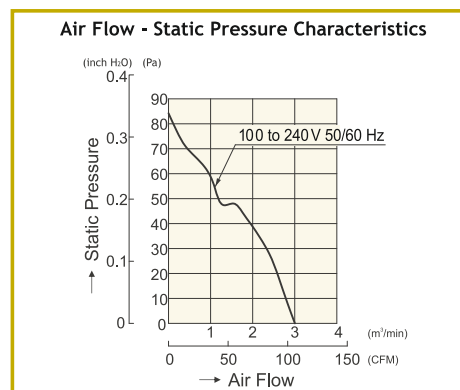
ACDC



General Specifications

- **Material:**
 - Frame: Plastics (Flammability: UL 94V-0)
 - Impeller: Plastics (Flammability: UL 94V-1)
- **Expected Life:** 60,000 h (L10:Survival rate: 90% at 60 °C, rated voltage, and continuously run in a free air state)
- **Motor construction:** Brushless DC motors
- **Motor Protection System:** Burnout protection at locked rotor condition
- **Ball bearings**
- **Dielectric Strength:** 50/60 Hz, 1,500 VAC, 1 minute (between power terminal and frame or between lead conductor and frame)
- **Insulation Resistance:** 10MΩ or more at 500 VDC megger (between lead conductor and frame)
- **Storage Temperature:** -30 °C to +75 °C (Non-condensing)
- **International Standards:** CE, UL/CSA, TÜV, RoHS

Air Flow - Static Pressure Characteristics

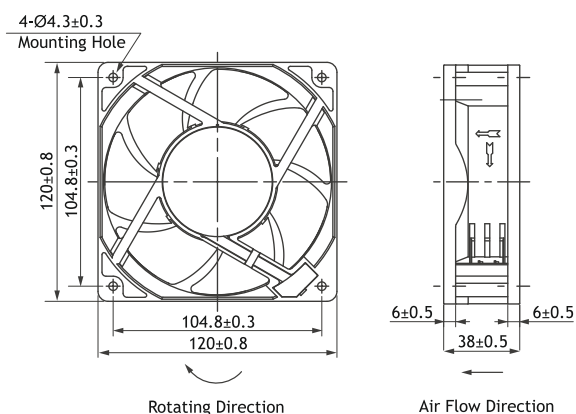


Specifications

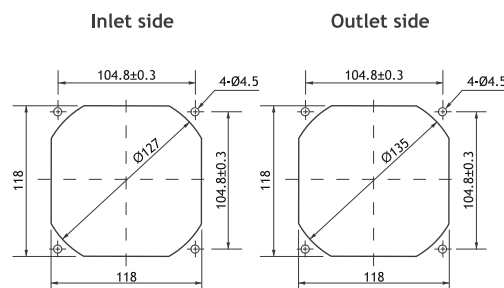
Model No.	Rated Voltage [V]	Operating Voltage Range [V]	Frequency * [Hz]	Rated Current [A]	Rated Input [W]	Rated Speed [min ⁻¹]	Max. Air Flow [m ³ /min]	Max. Air Flow [CFM]	Max. Static Pressure [Pa]	SPL [dB(A)]	Operating Temperature [°C]	Expected Life [h]	
9AD1201H12	100 to 240	90 to 264	50/60	0.08	4.4	3,250	3.0	106	84	0.34	42	-20 to +75	60,000/60*

*NOTE: 50/60 Hz compatible.

Dimensions (Unit:mm)



Reference dimension of mounting holes and vent opening (Unit: mm)



120 mm sq.



- Model always available on stock at R.T.A.
- Also available for online purchasing at www.rta-store.com

COOLING FANS
AC AXIAL FANS



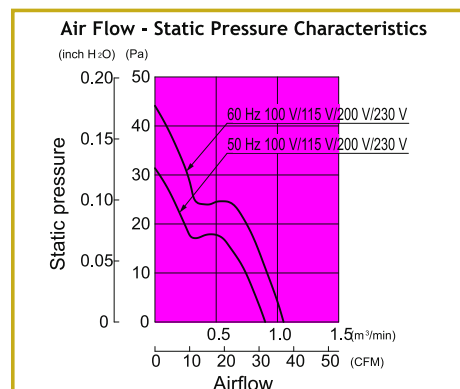
80x80x38 mm



General Specifications

- **Material:**
- Frame: Aluminum
- Impeller: Plastics (Flammability: UL94V-1)
- **Expected Life:** 25,000h (L10:Survival rate: 90% at 60 °C, rated voltage, and continuously run in a free air state)
- **Lead Wire:** ⊕ red ⊖ black
- **Storage Temperature:** -30 °C to +70 °C (Non-condensing)
- **Ball bearings**
- **International Standards:** CE,UL/CSA, TÜV, RoHS

Air Flow - Static Pressure Characteristics

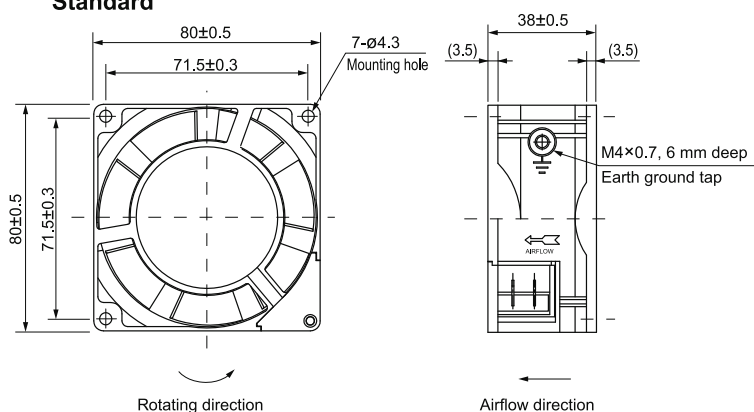


Specifications

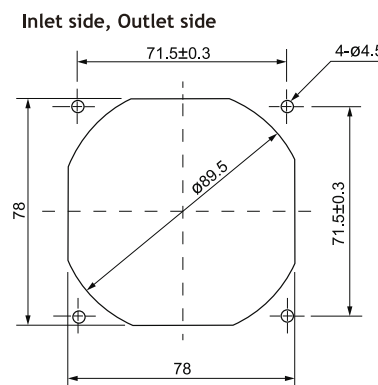
Model No.	Rated Voltage [V]	Frequency [Hz]	Rated Current [A]	Rated Input [W]	Rated Speed [min ⁻¹]	Max. Air Flow [m ³ /min]	Max. Air Flow [CFM]	Max. Static Pressure [Pa]	Max. Static Pressure [inchH ₂ O]	SPL [dB(A)]	Operating Temperature [°C]	Expected Life [h]
109-154	230	50/60	0.06/0.05	9/8	2,700/3,150	0.9/1.05	31.8/37.1	31.4/44.1	0.126-0.177	35/39	-30 to + 60	25,000/60 °C

Dimensions (Unit:mm)

Standard



Reference dimension of mounting holes and vent opening (Unit: mm)



80 mm sq.



- Model always available on stock at R.T.A.
- Also available for online purchasing at www.rta-store.com

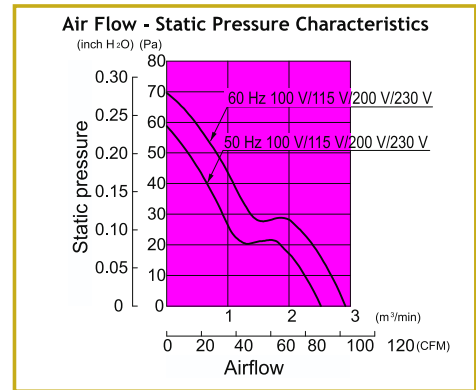
120x120x38 mm



General Specifications

- **Material:**
- Frame: Aluminum
- Impeller: Plastics (Flammability: UL94V-1)
- **Expected Life:** 25,000 h (L10:Survival rate: 90% at 60 °C, rated voltage, and continuously run in a free air state)
- **Storage Temperature:** -30 °C to +70 °C (Non-condensing)
- **Ball bearings**
- **International Standards:** UL/CSA, TÜV, RoHS, CE

Air Flow - Static Pressure Characteristics

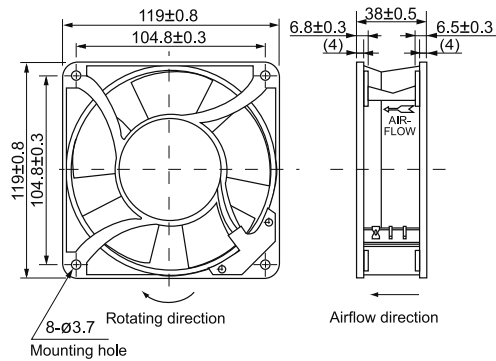


Specifications

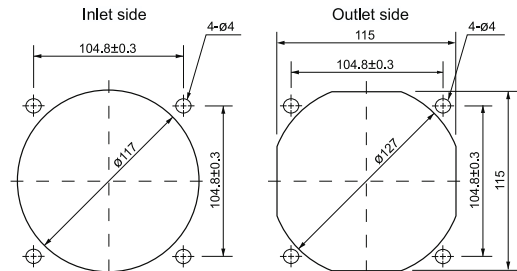
Model No.	Rated Voltage [V]	Frequency [Hz]	Rated Current [A]	Rated Input [W]	Rated Speed [min ⁻¹]	Max. Air Flow [m ³ /min]	Max. Static Pressure [Pa]	SPL [dB(A)]	Operating Temperature [°C]	Expected Life [h]
109S072-UL	230	50/60	0.11/0.9	18/16	2,700/3,100	2.5/2.9 88./102.5	57.9/68.7 0.233/0.276	42/45	-30 to +60	25,000/60 °C

Dimensions (Unit:mm)

Standard



Reference dimension of mounting holes and vent opening (Unit: mm)



120 mm sq.



- Model always available on stock at R.T.A.
- Also available for online purchasing at www.rta-store.com

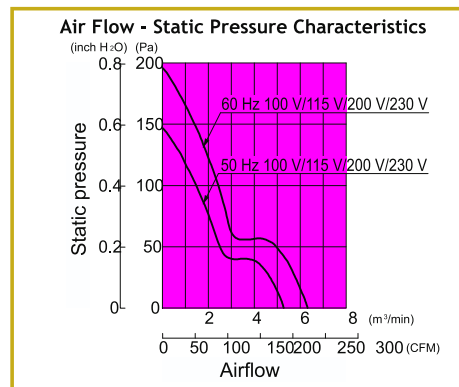
172x51 mm



General Specifications

- **Material:**
- Frame: Aluminum
- Impeller: Plastics (Flammability: UL94V-1)
- **Expected Life:** 25,000 h (L10:Survival rate: 90% at 60 °C, rated voltage, and continuously run in a free air state)
- **Storage Temperature:** -30 °C to +70 °C (Non-condensing)
- **Ball bearings**
- **International Standards:** UL/CSA, TÜV, RoHS, CE

Air Flow - Static Pressure Characteristics

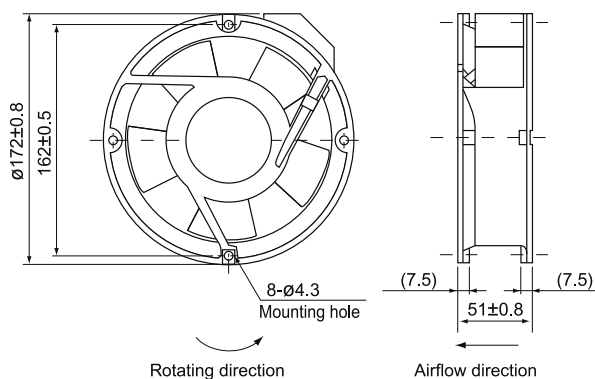


Specifications

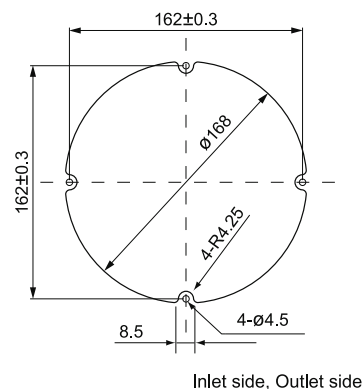
Model No.	Rated Voltage [V]	Frequency [Hz]	Rated Current [A]	Rated Input [W]	Rated Speed [min ⁻¹]	Max. Air Flow [m ³ /min] [CFM]	Max. Static Pressure [Pa] [inchH ₂ O]	SPL [dB(A)]	Operating Temperature [°C]	Expected Life [h]
109-313	230	50/60	0.14/0.11	27/25	2,900/3,500	5.3/6.4 187.3/226.1	147/196 0.59/0.787	47/51	-30 to +70	25,000/60°C

Dimensions (Unit:mm)

Standard



Reference dimension of mounting holes and vent opening (Unit: mm)



Ø 172 mm



- Model always available on stock at R.T.A.
- Also available for online purchasing at www.rta-store.com

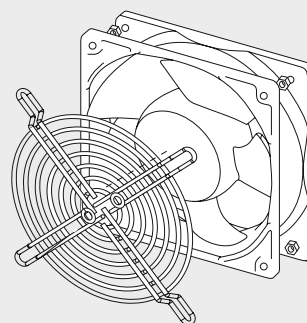
COOLING FANS
ACCESSORIES



Cooling Fans accessories

1 METAL FAN GUARDS

Fan Guards increases safety by preventing foreign objects from entering fans.



2 PLASTIC FAN FILTERS

Fan Filters assure protection to the fan blade allowing free passage of air with minimum resistance.

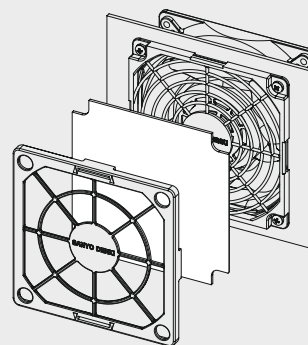


Table of contents

ACCESSORIES

	DESCRIPTION	SUITABLE FOR FANS (mm)	MATERIALS	SURFACE TREATMENT
METAL FAN GUARDS				
MF-040-13	Metal Fan Guard	40x40	C1010 Bright Basic Wire	Bright Nickel Chrome
MF-060-09	Metal Fan Guard	60x60	C1010 Bright Basic Wire	Bright Nickel Chrome
MF-080-01	Metal Fan Guard	80x80	C1010 Bright Basic Wire	Bright Nickel Chrome
MF-120-05	Metal Fan Guard	120x120	C1010 Bright Basic Wire	Bright Nickel Chrome

Other sizes Available

Table of contents

ACCESSORIES

	DESCRIPTION	SUITABLE FOR FANS (mm)	MATERIALS	COLOR
PLASTIC FAN FILTERS				
FRM-325-A080	Plastic Fan Filter	80x80	Guard: Plastic Filter: PU Foam	Black
FRM-450-A120	Plastic Fan Filter	120x120	Guard: Plastic Filter: PU Foam	Black

Other sizes Available

ITALY

Corporate Headquarters

R.T.A.srl
Via E. Mattei 15, Fraz. Divisa - 27020 Marcignago (PV) ITALY
T +39.0382.929.855 | F +39.0382.929.150 | info@rta.it
www.rta.it

Local Branches

R.T.A. Filiale Centro
Centro Direzionale Cavour
Via Cavour 2, 40055 Villanova di Castenaso (BO) ITALY
T +39.051.780141 | rtabo@rta.it

R.T.A. Filiale Nord-Est
Via D. Alighieri 4, 30034 Mira (VE) ITALY
T +39.041.5600332 | F +39.041.5600165 | rtane@rta.it

GERMANY

R.T.A. Deutschland GmbH
Bublitzer Strasse 34, 40599 Düsseldorf GERMANY
T +49.211.749.668.60 | F +49.211.749.668.66 | info@rta-deutschland.de
www.rta-deutschland.de

SPAIN

R.T.A. Ibérica
C/Generalitat 22, Local 1 - 08850 Gava - Barcelona SPAIN
T +34 936.388.805 | F +34 936.334.595 | info@rta-iberica.es
www.rta-iberica.es

INDIA

R.T.A. India Pvt
Teerth Business Center
3rd Floor, Unit No. 7, Block EL - 15, MIDC Bhosari
Pimpri-Chinchwad, Pune 411026 INDIA
T +91 942.250.744.5 | rtain@rta-india.in
www.rta-india.in



CATALOGUE
DIGITAL EDITION



Look Ahead!

