

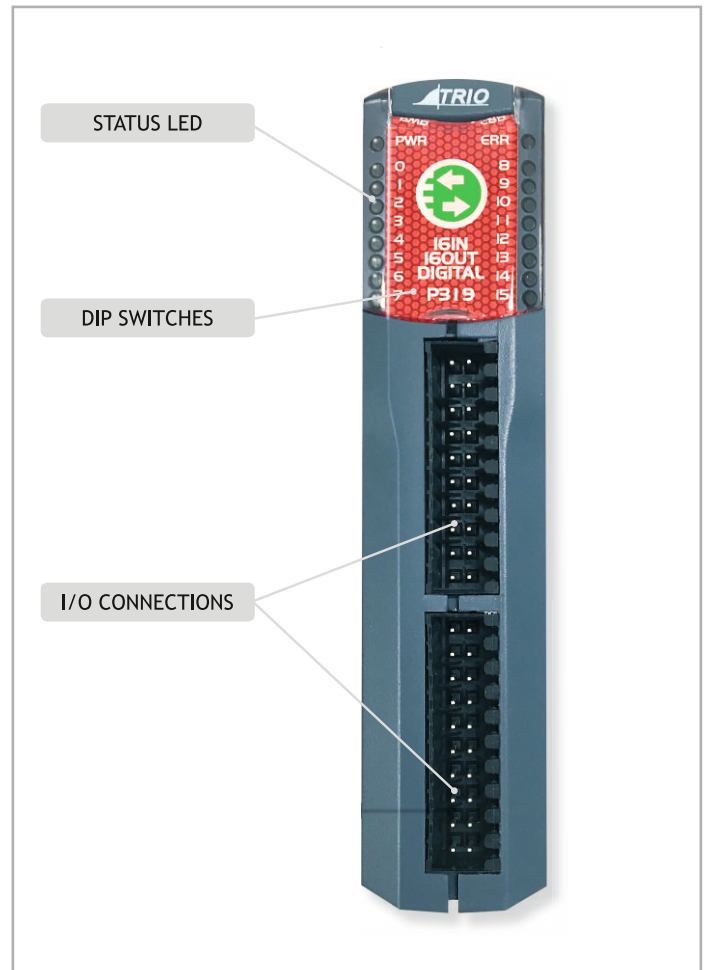
CAN 16-IN / OUT digital

INTRODUCTION

The Trio CAN16 Input/Output module offers a compact DIN rail mounted I/O expansion capability for motion coordinators.

It can provide up to 256 distributed bi-directional I/O channels at 24 VDC level.

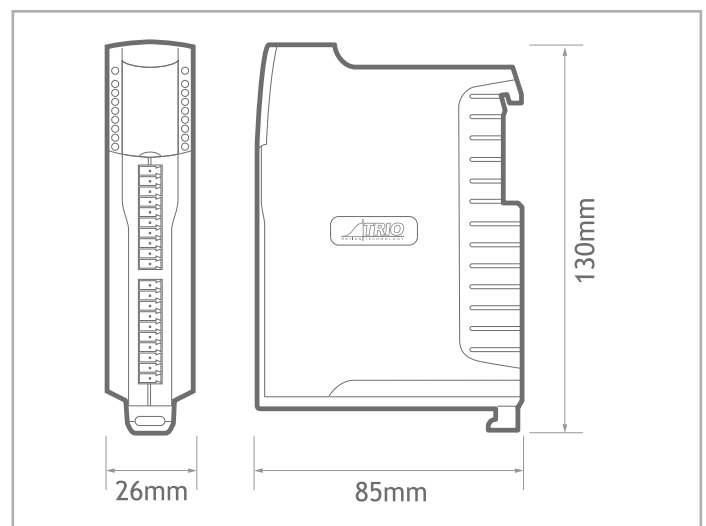
This module can be mixed on the same bus, with other types in the CAN I/O range, reducing considerably the machine wiring.



MAIN FEATURES

Inputs	16 x 24V input channels with 2500V isolation
Outputs	16 x 24V sourcing (PNP) output channels
Configuration	2 x 8 bi-directional input/output channels
Protection	Outputs are overcurrent and over temperature rated
Indicators	Individual status LEDs
Address settings	Via DIP switches
Power supply	24 V / 1,5 W
Mounting	DIN rail mount
Size	26 mm wide x 85 mm deep x 130 mm high
Weight	168 g
CAN	500 kHz, up to 256 expansion output channels
EMC	EN61000-6-2 (2005) Industrial Noise Immunity EN61000-6-4 (2007) Industrial Noise Emissions
CAN protocol	TrioCAN I/O / CANopen Ds401
Compliances	UL and RoHS

MECHANICAL DIMENSIONS



R.T.A. s.r.l.
Via E. Mattei - Frazz. Divisa
27020 Marcignago (PV) (Italy)
T +39.0382.929.855
F +39.0382.929.150
www.rta.it

R.T.A. Deutschland GmbH
Bublitzstrasse 34, 40599
Duesseldorf (Germany)
T +49.211.749.668.60
F +49.211.749.668.66
www.rta-deutschland.de

R.T.A. IBERICA
C/Generalitat 22, Local 1
08850 Gava - Barcelona (Spain)
T +34 936.388.805
F +34 936.334.595
www.rta-iberica.es

R.T.A. INDIA Pvt
Teerth Business Center 3rd Floor, Unit No. 7,
Block EL-15, MIDC Bhosari Pimpri-Chinchwad,
Pune 411026 (India)
Tel. +91 9422507445
www.rta-india.in