

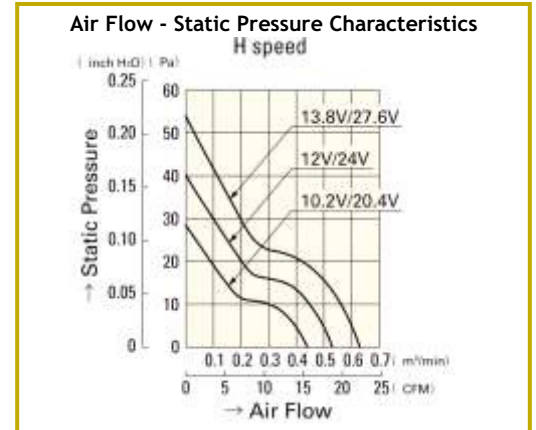
60x60x25 mm **12 V | IP 68**



**General Specifications**

- **Material:**  
- Frame: Plastics (Flammability: UL 94V-0)  
- Impeller: Plastics (Flammability: UL 94V-1)
- **Expected Life:** 60,000 h (Indoor, L10:Survival rate: 90% at 60°C, rated voltage, and continuously run in a free air state)
- **Lead Wire:** ⊕ red ⊖ black
- **Storage Temperature:** -30°C to +70°C (Non-condensing)
- **Ball bearings**
- **International Standards:** UL/CSA, TÜV, RoHS

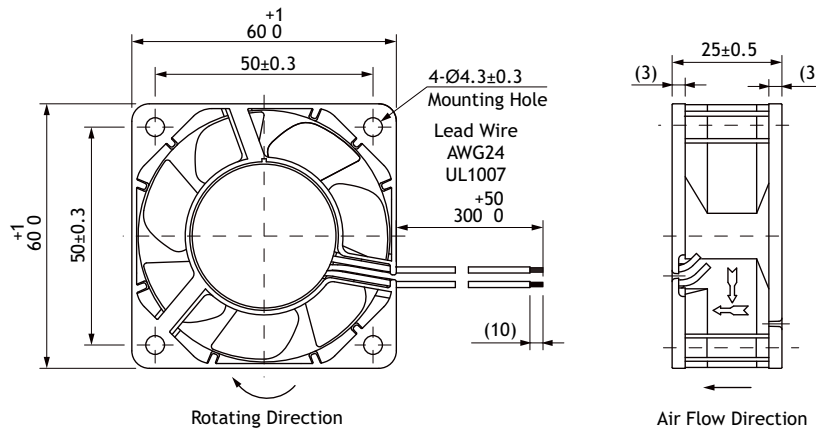
**Air Flow - Static Pressure Characteristics**



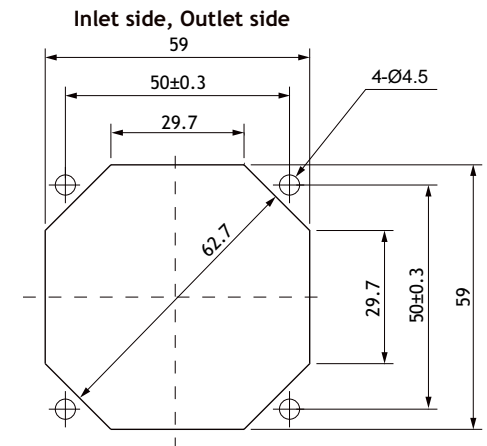
**Specifications**

Model No.	Rated Voltage [V]	Operating Voltage Range [V]	Rated Current [A]	Rated Input [W]	Rated Speed [min <sup>-1</sup> ]	Max. Air Flow [m³/min]	Max. Air Flow [CFM]	Max. Static Pressure [Pa]	SPL [dB(A)]	Operating Temperature [°C]	Expected Life [h]	
9WP0612H402	12	10.2 to 13.8	0.11	1.32	3,800	0.53	18.7	40.2	0.161	28	-20 to +70	60,000/60°

**Dimensions (Unit:mm)**



**Reference dimension of mounting holes and vent opening (Unit: mm)**



**60** mm sq.



- Model always available on stock at R.T.A.
- Also available for online purchasing at [www.rta-store.com](http://www.rta-store.com)

