

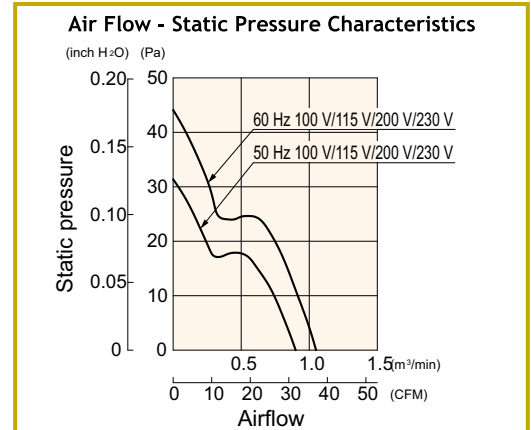
80x80x38 mm



General Specifications

- **Material:**
- Frame: Aluminum
- Impeller: Plastics (Flammability: UL94V-1)
- **Expected Life:** 25,000h (L10:Survival rate: 90% at 60 °C, rated voltage, and continuously run in a free air state)
- **Lead Wire:** ⊕ red ⊖ black
- **Storage Temperature:** -30 °C to +70 °C (Non-condensing)
- **Ball bearings**
- **International Standards:** CE,UL/CSA, TÜV, RoHS

Air Flow - Static Pressure Characteristics

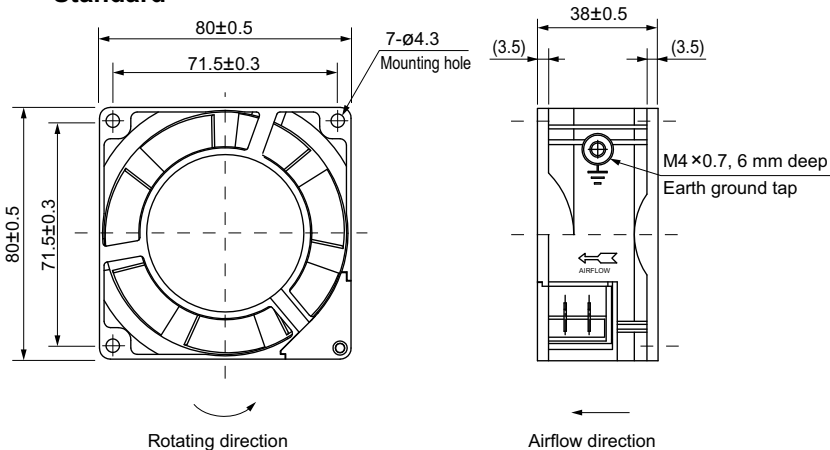


Specifications

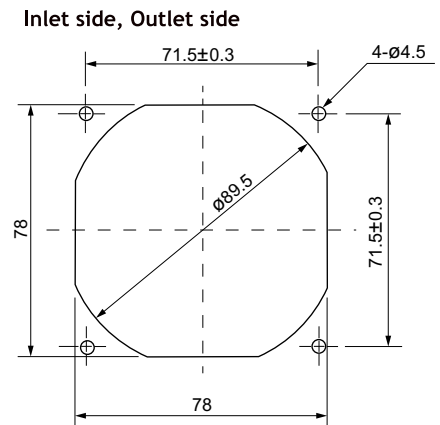
Model No.	Rated Voltage [V]	Frequency [Hz]	Rated Current [A]	Rated Input [W]	Rated Speed [min ⁻¹]	Max. Air Flow [m ³ /min]	Max. Air Flow [CFM]	Max. Static Pressure [Pa]	SPL [dB(A)]	Operating Temperature [°C]	Expected Life [h]	
109-154	230	50/60	0.06/0.05	9/8	2,700/3,150	0.9/1.05	31.8/37.1	31.4/44.1	0.126-0.177	35/39	-30 to +60	25,000/60°C

Dimensions (Unit:mm)

Standard



Reference dimension of mounting holes and vent opening (Unit: mm)



80 mm sq.



- Model always available on stock at R.T.A.
- Also available for online purchasing at www.rta-store.com