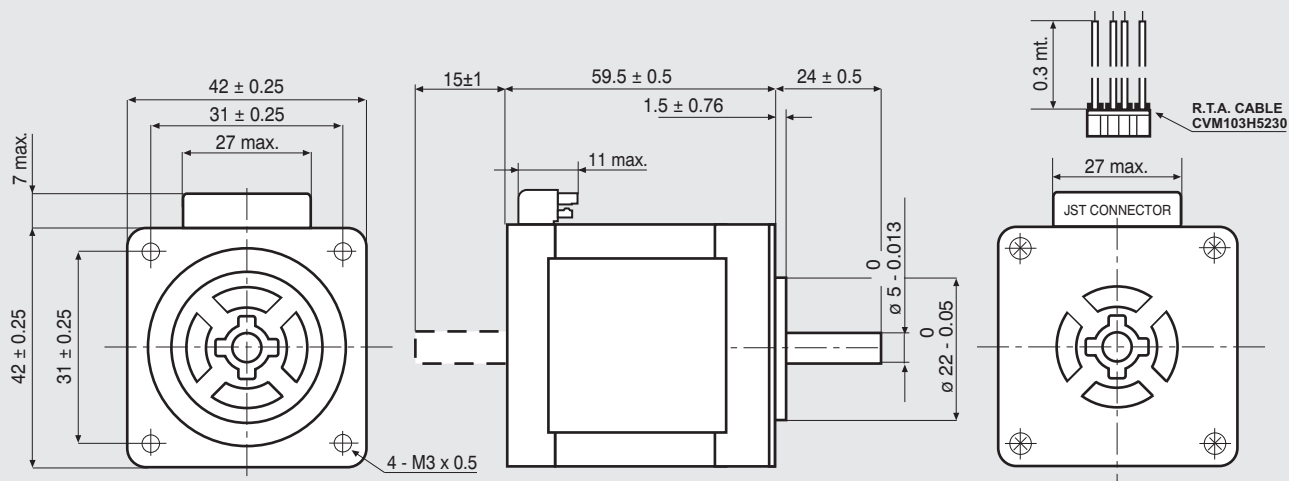


103-H5212-4640

SANYO DENKI
SANMOTION

Dimensions (Unit:mm)



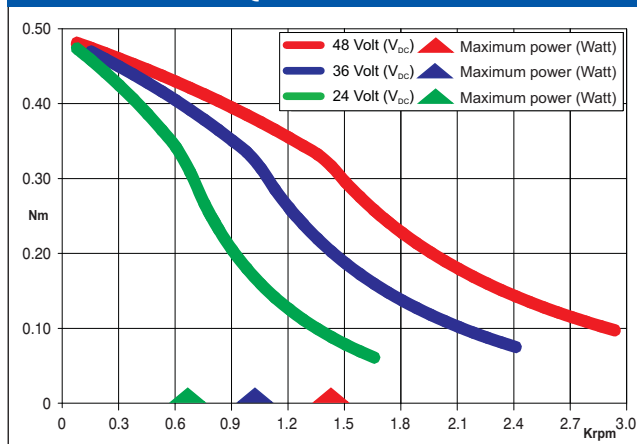
MOTOR CONNECTOR IS JST mod. B6B-EH K 6 POLES MALE.
FOR CONNECTION USE JST mod. EHR-6 FEMALE CONNECTOR AND
mod. SEH-001 T-P0.6 CONTACTS.
NOTE: XSH5212-064 MOTORS NEED CVM103H5230 R.T.A. CABLES.
CONTACT R.T.A. FOR FURTHER DETAILS.

FEATURES

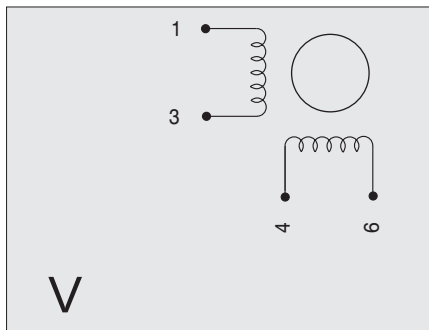
MODEL	103-H5212-4640 (103-H5212-4610)
BASIC STEP ANGLE	$1.8^\circ \pm 0.09^\circ$
BIPOLAR CURRENT (Amp)	2.0
UNIPOLAR CURRENT (Amp)	
RESISTANCE (Ohm)	1.5
INDUCTANCE (mH)	3.0
BIPOLAR HOLDING TORQUE (Ncm)	65
UNIPOLAR HOLDING TORQUE (Ncm)	
ROTOR INERTIA ($\text{Kgm}^2 \times 10^{-7}$)	110
THEORETICAL ACCELERATION ($\text{rad} \times \text{sec.}^{-2}$)	59000
BACK E.M.F. (V/Krpm)	32
MASS (Kg)	0.35
LEADS CODE	V

Codes between brackets refer to double shaft models.
Le sigle fra parentesi si riferiscono ai modelli bialbero.

TORQUE/SPEED CURVE



R.T.A. s.r.l. PAVIA (ITALY) SANYO DENKI CO., Ltd (JAPAN)



Allegato EIMC - 10 - 14 (Ed. 01 06-17)

Suggested R.T.A. driver: BSD Series, CSD/A-CSD Series, NDC/A-NDC Series, ADW Series, HGD Series.



R.T.A. s.r.l.
Via E. Mattei - Fraz. Divisa
27020 MARCIGNAGO (PV) ITALY
Tel. +39.0382.929.855 - Fax +39.0382.929.150
www.rta.it

R.T.A. Deutschland GmbH
Bublitz Straße 34
40599 DÜSSELDORF (Germany)
Tel. +49.211.749.668.60 - Fax +49.211.749.668.66
www.rta-deutschland.de

R.T.A. IBERICA-Motion Control Systems S.L.
C/Generalitat 22, 1° 3°
08850 GAVA - BARCELONA (Spain)
Tel. +34.936.388.805 - Fax +34.936.334.595
www.rta-iberica.es