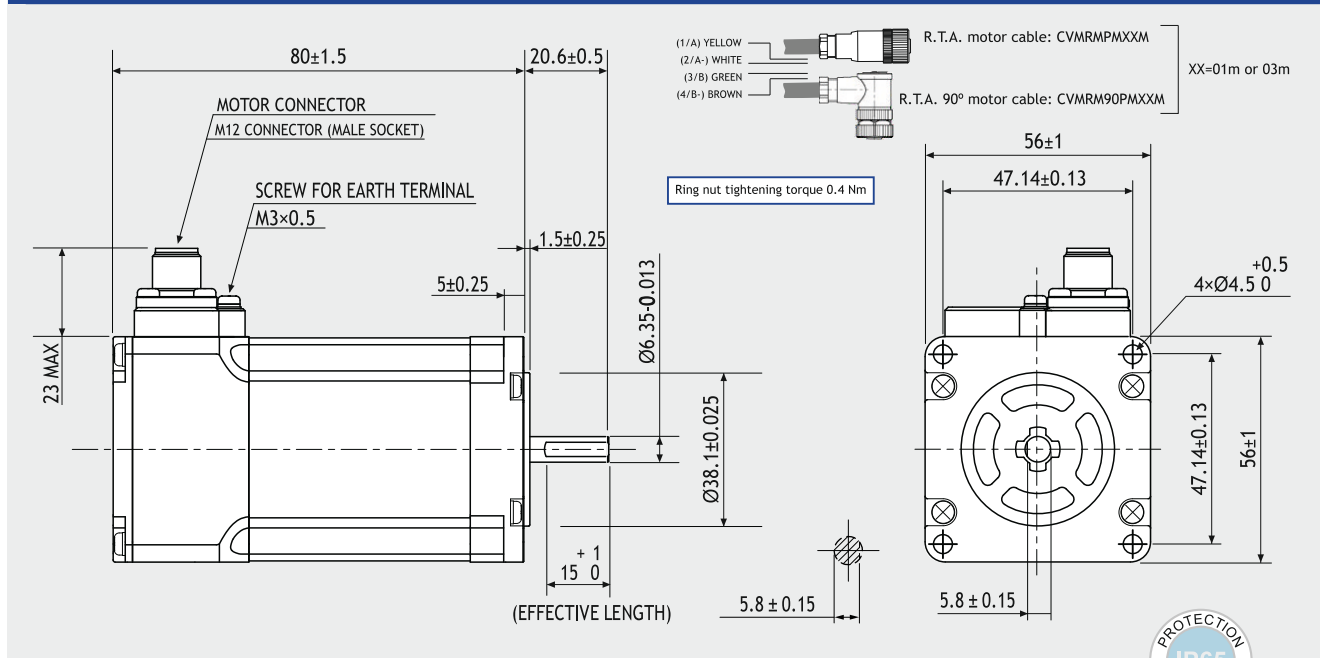


# SP 2563-5000

SANYO DENKI  
SANMOTION



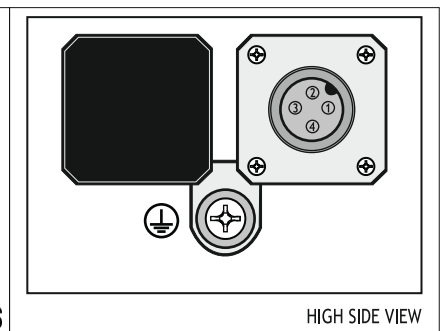
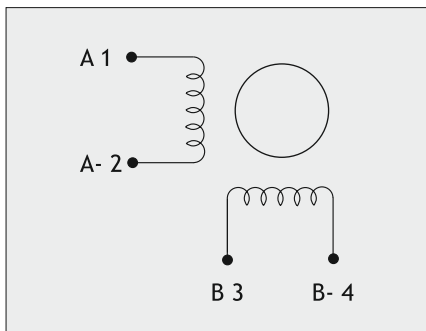
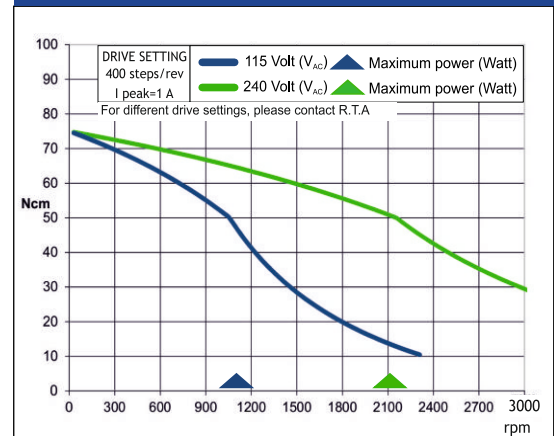
## Dimensions (Unit:mm)



## FEATURES

MODEL	SP 2563-5000	
BASIC STEP ANGLE	$1.8 \pm 0.09^\circ$	
BIPOLAR CURRENT (A)	1	
RESISTANCE (Ohm)	5.8	
INDUCTANCE (mH)	29	
BIPOLAR HOLDING TORQUE (Ncm)	100	
ROTOR INERTIA ( $\text{Kgm}^2 \times 10^{-7}$ )	210	
THEORETICAL ACCELERATION ( $\text{rad} \times \text{sec}^{-2}$ )	47600	
BACK E.M.F. (V/Krpm)	100	
MASS (Kg)	0.9	
INTERNATIONAL STANDARDS	UL, CSA, CE, RoHS	
INSULATION VOLTAGE (V)	$250 V_{AC}$ ( $350 V_{DC}$ )	
PROTECTION DEGREE - INSULATION CLASS	IP65 - F	

## TORQUE CURVE



Suggested R.T.A. drive model: X-PLUS L2



R.T.A. s.r.l.  
Via E. Mattei - Fraz- Divisa  
27020 Marcignago (PV) (Italy)  
T +39.0382.929.855  
F +39.0382.929.150  
www.rta.it

R.T.A. Deutschland GmbH  
Bublitzter Strasse 34, 40599  
Duesseldorf (Germany)  
T +49.211.749.668.60  
F +49.211.749.668.66  
www.rta-deutschland.de

R.T.A. IBERICA  
C/Generalitat 22, Local 1  
08850 Gava - Barcelona (Spain)  
T +34 936.388.805  
F +34 936.334.595  
www.rta-iberica.es

R.T.A. INDIA Pvt  
Teerth Business Center 3<sup>rd</sup> Floor, Unit No. 7,  
Block EL-15, MIDC Bhosari Pimpri-Chinchwad,  
Pune 411026 (India)  
Tel. +91 9422507445  
www.rta-india.in