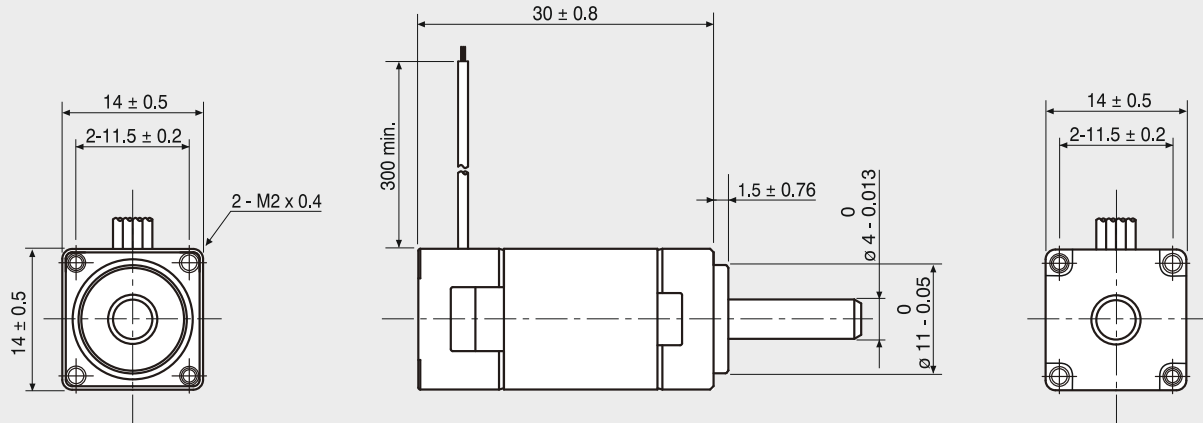


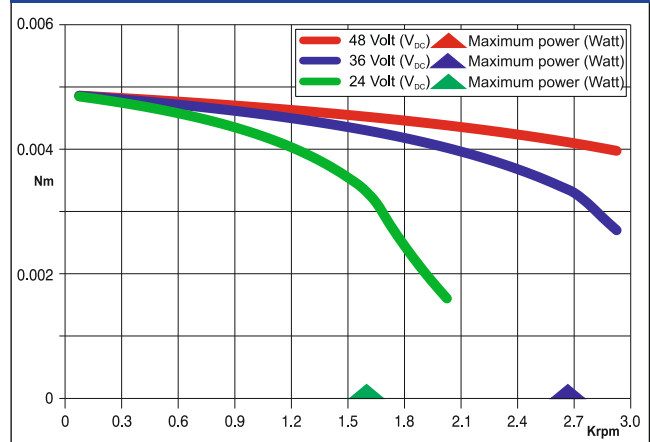
Dimensions (Unit:mm)



FEATURES

MODEL	SH2141-5541
BASIC STEP ANGLE	$1.8^\circ \pm 0.09^\circ$
BIPOLAR CURRENT (Amp)	0.3
UNIPOLAR CURRENT (Amp)	
RESISTANCE (Ohm)	21
INDUCTANCE (mH)	4.2
BIPOLAR HOLDING TORQUE (Ncm)	0.65
UNIPOLAR HOLDING TORQUE (Ncm)	
ROTOR INERTIA ($\text{Kgm}^2 \times 10^{-7}$)	0.58
THEORETICAL ACCELERATION ($\text{rad} \times \text{sec}^{-2}$)	112000
BACK E.M.F. (V/Krpm)	10
MASS (Kg)	0.028
LEADS CODE	V

TORQUE/SPEED CURVE



R.T.A. s.r.l. PAVIA (ITALY) SANYO DENKI CO., Ltd (JAPAN)



Suggested R.T.A. drive series: CSD, FLEX-DRIVE



R.T.A. s.r.l.
Via E. Mattei - Fraz- Divisa
27020 Marcignago (PV) (Italy)
T +39.0382.929.855
F +39.0382.929.150
www.rta.it

R.T.A. Deutschland GmbH
Bublitzer Strasse 34, 40599
Duesseldorf (Germany)
T +49.211.749.668.60
F +49.211.749.668.66
www.rta-deutschland.de

R.T.A. IBERICA
C/Generalitat 22, Local 1
08850 Gava - Barcelona (Spain)
T +34 936.388.805
F +34 936.334.595
www.rta-iberica.es

R.T.A. INDIA Pvt
Teerth Business Center 3rd Floor, Unit No. 7,
Block EL-15, MIDC Bhosari Pimpri-Chinchwad,
Pune 411026 (India)
Tel. +91 9422507445
www.rta-india.in