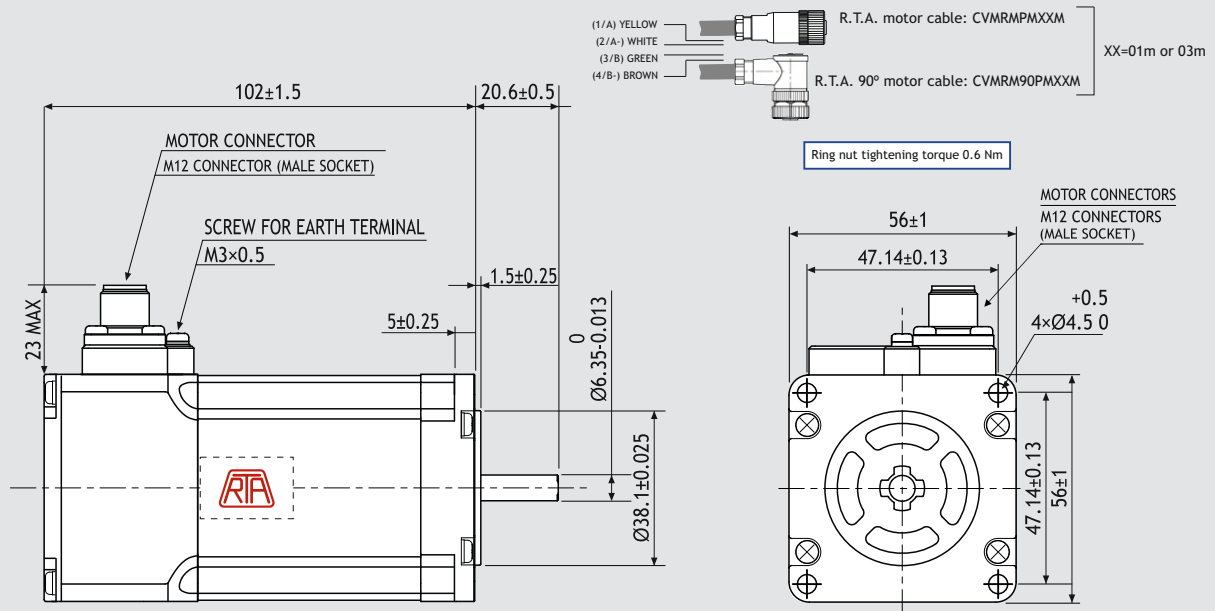


RM 2R2M

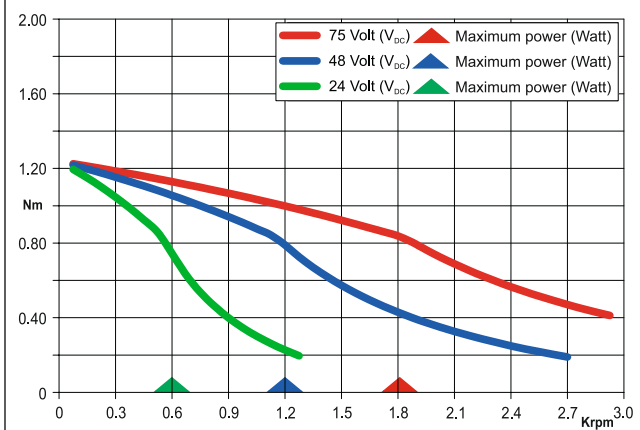
Dimensions (Unit:mm)



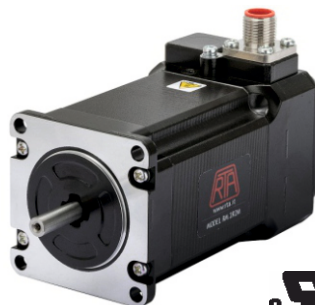
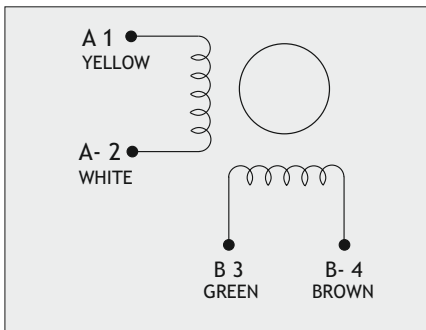
FEATURES

MODEL	RM 2R2M	
BASIC STEP ANGLE	$1.8 \pm 0.09^\circ$	
BIPOLAR CURRENT	(Amp)	4
RESISTANCE	(Ohm)	0.48
INDUCTANCE	(mH)	2.2
BIPOLAR HOLDING TORQUE	(Ncm)	165
ROTOR INERTIA	($\text{Kg} \cdot \text{m}^2 \times 10^{-7}$)	360
THEORETICAL ACCELERATION	($\text{rad} \times \text{sec}^{-2}$)	45800
BACK E.M.F.	(V/Krpm)	31
MASS	(Kg)	1.2
INTERNATIONAL STANDARDS	UL, CSA, CE, RoHS	
PROTECTION DEGREE	IP 54	
LEADS CODE	V	

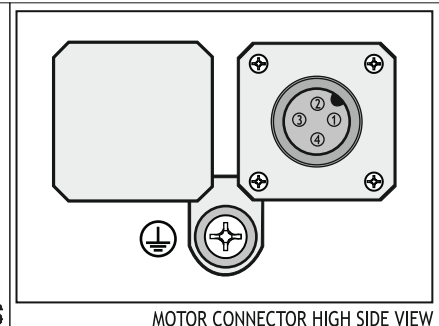
TORQUE/SPEED CURVE



R.T.A. s.r.l. PAVIA (ITALY) SANYO DENKI CO., Ltd (JAPAN)



RTA US



Suggested R.T.A. drive series: CSD, NDC, ADW, HGD, PLUS, FLEX-DRIVE



R.T.A. s.r.l.
Via E. Mattei - Fraz- Divisa
27020 Marcignago (PV) (Italy)
T +39.0382.929.855
F +39.0382.929.150
www.rta.it

R.T.A. Deutschland GmbH
Bublitzter Strasse 34, 40599
Duesseldorf (Germany)
T +49.211.749.668.60
F +49.211.749.668.66
www.rta-deutschland.de

R.T.A. IBERICA
C/Generalitat 22, Local 1
08850 Gava - Barcelona (Spain)
T +34 936.388.805
F +34 936.334.595
www.rta-iberica.es

R.T.A. INDIA Pvt
Teerth Business Center 3rd Floor, Unit No. 7,
Block EL-15, MIDC Bhosari Pimpri-Chinchwad,
Pune 411026 (India)
Tel. +91 9422507445
www.rta-india.in