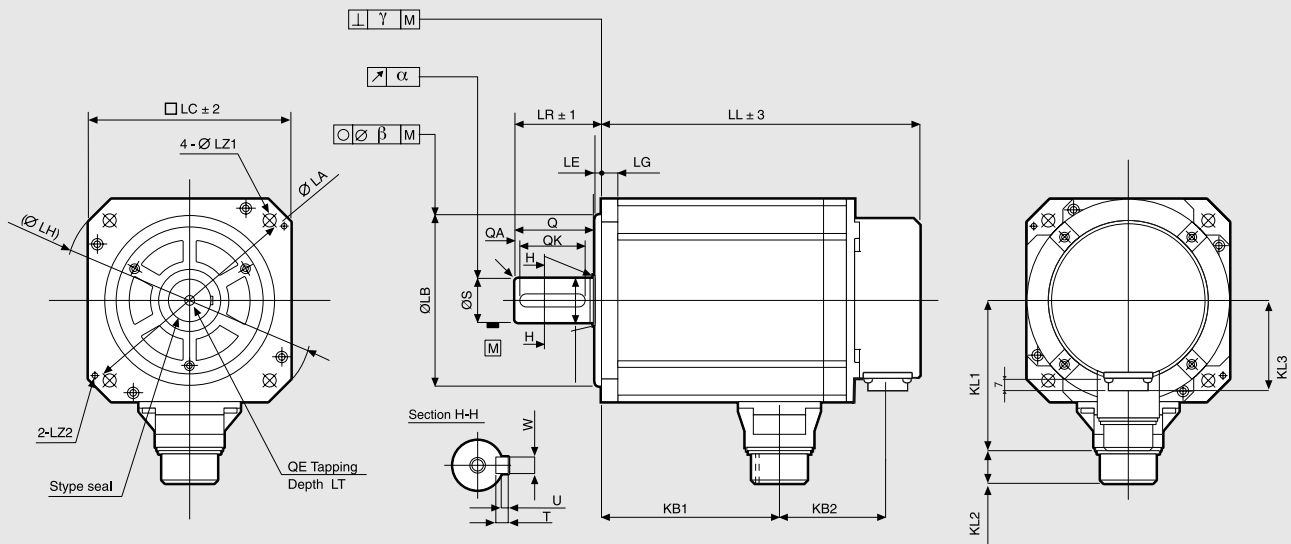


R1AA13300FXH00M (R1AA13300FCH00M)

SANYO DENKI
SANMOTION



Dimensions (Unit:mm)

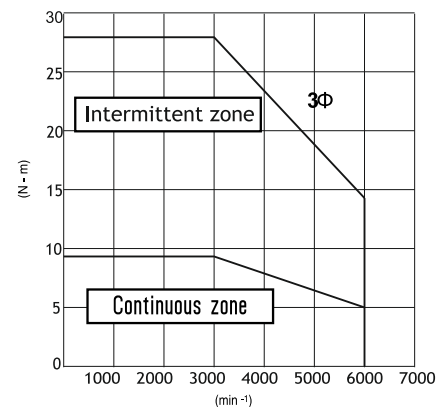


without brake		with brake		KL1	KL2	KL3	LG	LA	LB	LE	LH	LC	LZ1	LZ2	LR	S	Q	QA	QK	W	T	U	KB1	QE	LT
LL	KB2	LL	KB2	98	21	45	12	145	0	4	165	130	9	M6	55	0	50	3	42	0	7	3	112	M8	25
184	57	230	103						110-0.035							28-0.013			8-0.036						

FEATURES

MODEL	R1AA13300FXH00M	
NOMINAL POWER	(W)	3000
NOMINAL SPEED	(rpm)	3000
MAXIMUM SPEED	(rpm)	6000
NOMINAL TORQUE	(Nm)	9.7
STALL TORQUE	(Nm)	9.7
MAXIMUM TORQUE	(Nm)	29
INERTIA	(Kg*m ²)	7×10 ⁻⁴
ENCODER	(imp./rev)	131072 (17BIT)
PROTECTION DEGREE		IP65
WEIGHT	[version with brake] (Kg)	9.7 [11.8]

TORQUE CURVE R1AA13300F [3kW] + RS3A10



R.T.A. s.r.l. PAVIA (ITALY) SANYO DENKI CO., Ltd (JAPAN)

WITHOUT BRAKE
R1AA13300FXH00M



Indicated performances refer to motor controlled by related new RS3 standard and EtherCat amplifiers.

3Φ = torque curve with three-phase power supply

WITH BRAKE
R1AA13300FC00M



Suggested amplifiers: RS3A10A0AA2, RS3A10A2HA4W00P



R.T.A. s.r.l.
Via E. Mattei - Fraz. Divisa
27020 Marcignago (PV) (Italy)
T +39.0382.929.855
F +39.0382.929.150
www.rta.it

R.T.A. Deutschland GmbH
Bublitzter Strasse 34, 40599
Duesseldorf (Germany)
T +49.211.749.668.60
F +49.211.749.668.66
www.rta-deutschland.de

R.T.A. IBERICA
C/Generalitat 22, Local 1
08850 Gava - Barcelona (Spain)
T +34 936.388.805
F +34 936.334.595
www.rta-iberica.es

R.T.A. INDIA Pvt
Teerth Business Center 3rd Floor, Unit No. 7,
Block EL-15, MIDC Bhosari Pimpri-Chinchwd,
Pune 411026 (India)
Tel. +91 9422507445
www.rta-india.in