

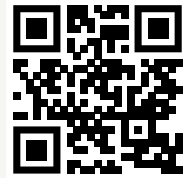
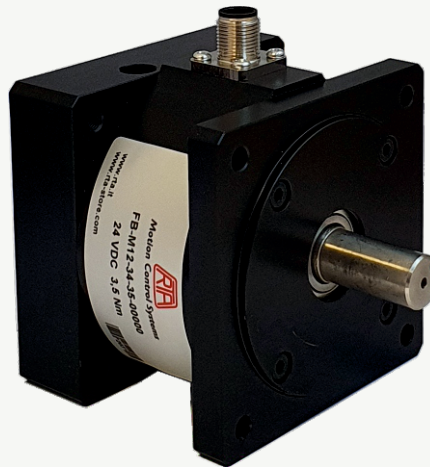
FB-M12-34-35-00000

FRONT BRAKES

M12
CONNECTOR

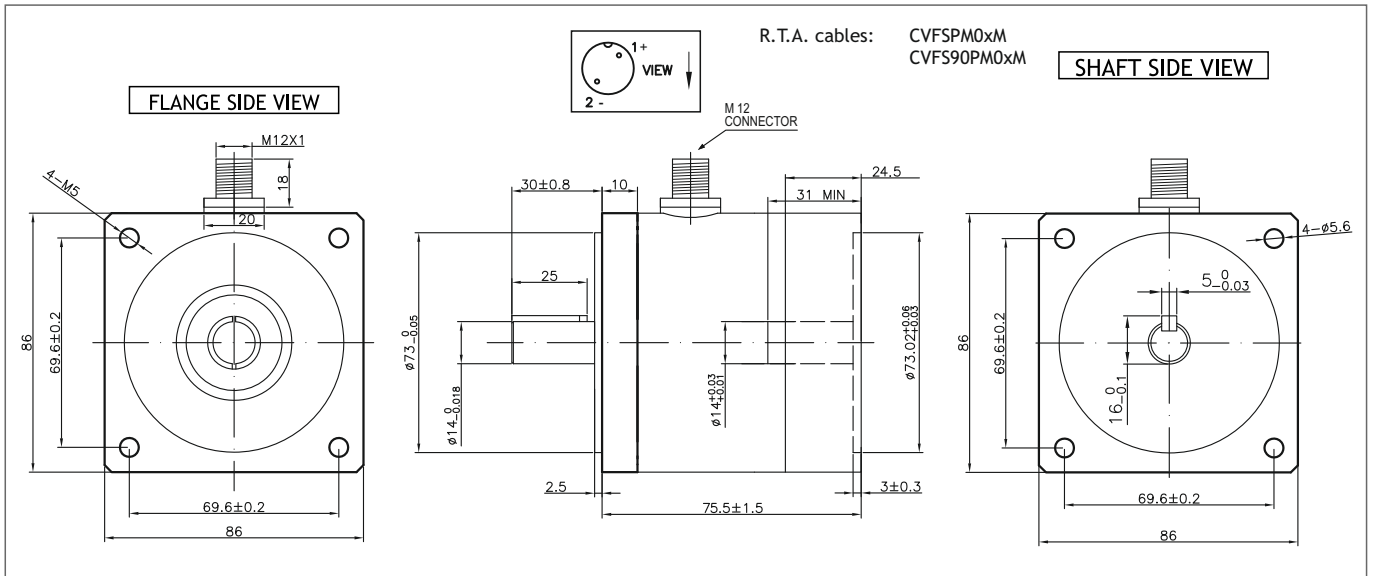
24 VDC

NEMA 34



SCAN THE QR CODE
TO WATCH A VIDEO
ON FB SERIES
FRONT BRAKES

Dimensions (Units:mm)



| MODEL | Static torque (Nm) | Current (mA) | Voltage (V) | Power (W) | Mass (Kg) |
|--------------------|--------------------|--------------|-------------|-----------|-----------|
| FB-M12-34-35-00000 | 3.5 | 460 | 24 VDC | 11.0 | 1.61 |

Suggested motors and cables

| | | |
|--|-----------------------|--|
| | <p>NEMA 34 motors</p> | <p>R.T.A. cables</p> <p>Shield Red + Yellow -</p> <p>CVFSPM0xM x=1m/3m</p> |
| | | <p>CVFS90PM0xM x=1m/3m</p> |
| <p>MOUNTING OPERATION MODE: ■ Tightening torque M= 8 Nm ■ Locking bolt M5 ■ R.T.A. Quality Control</p> | | |



Use for safety related functions is forbidden (EN 60204-1). Moreover, when the application arrangement is in such way that a brake fault or failure could generate a risk for property or human life, external independent safety protection system must be provided in the machine.



R.T.A. s.r.l.
Via E. Mattei - Fraz- Divisa
27020 Marcignago (PV) (Italy)
T +39.0382.929.855
F +39.0382.929.150
www.rta.it

R.T.A. Deutschland GmbH
Bublitzer Strasse 34, 40599
Duesseldorf (Germany)
T +49.211.749.668.60
F +49.211.749.668.66
www.rta-deutschland.de

R.T.A. IBERICA
C/Generalitat 22, Local 1
08850 Gava - Barcelona (Spain)
T +34 936.388.805
F +34 936.334.595
www.rta-iberica.es

R.T.A. INDIA Pvt
Teerth Business Center 3rd Floor, Unit No. 7,
Block EL-15, MIDC Bhosari Pimpri-Chinchwad,
Pune 411026 (India)
Tel. +91 9422507445
www.rta-india.in