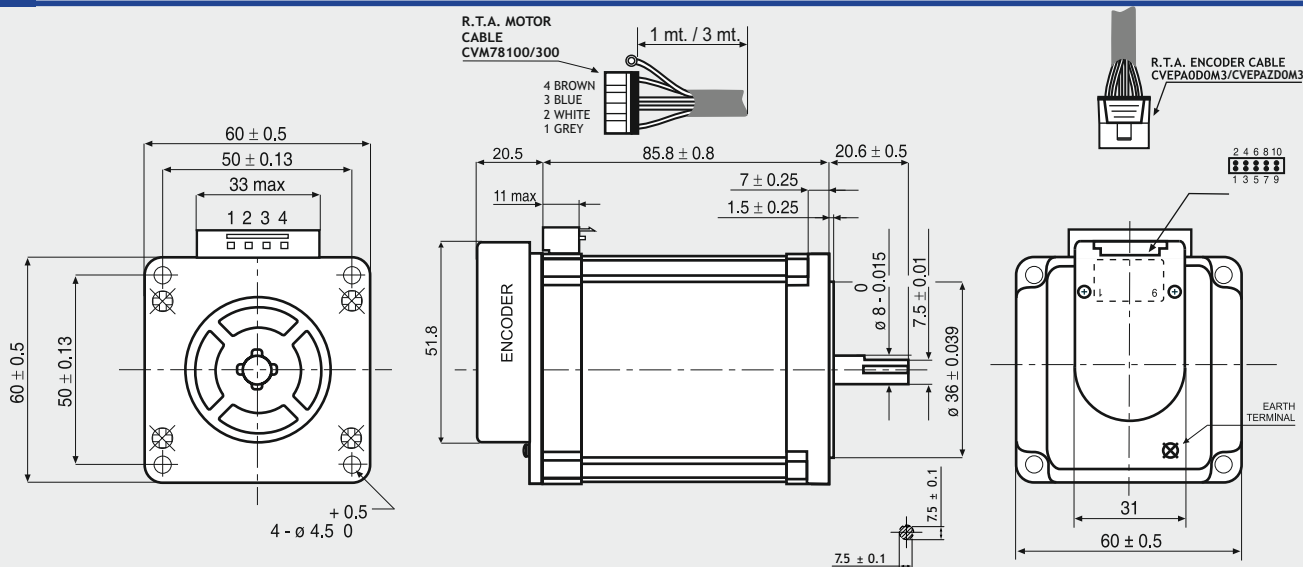


# EM 6H2M-OXXO

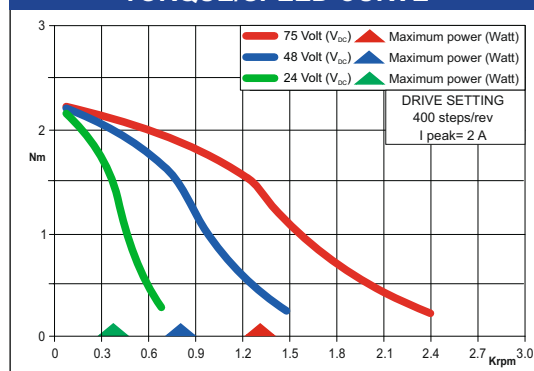
## Dimensions (Unit:mm)



## SANYO DENKI MOTOR FEATURES

MODEL	EM 6H2M-OXXO
SANYO DENKI MOTOR CODE	103-H7823-1714
BASIC STEP ANGLE	$1.8^\circ \pm 0.09^\circ$
BIPOLAR PARALLEL CURRENT (A)	4.0
RESISTANCE (Ohm)	0.65
INDUCTANCE (mH)	2.4
BIPOLAR HOLDING TORQUE (Ncm)	300
ROTOR INERTIA ( $\text{Kgm}^2 \times 10^{-7}$ )	840
THEORETICAL ACCELERATION ( $\text{rad} \times \text{sec.}^{-2}$ )	35700
BACK E.M.F. (V/Krpm)	75
MASS (Kg)	1.4
LEADS CODE	V

## TORQUE/SPEED CURVE



103-H7823-1714 MOTOR NEEDS CVM78/100 OR CVM78/300 R.T.A. CABLES. CONTACT R.T.A. FOR FURTHER DETAILS.

ENCODER OPTIONS:	EM 6H2M-04D0	EM 6H2M-04E0	EM 6H2M-0HE0
RESOLUTION	400 cpr	400 cpr	4000 cpr
INDEX	No	Yes	Yes
CURRENT CONSUMPTION (mA)	50	50	85
HIGH LEVEL OUTPUT (Volt)	5 (TIP) - 4.75 (MIN) ( $I_{\text{MAX}}=25\text{mA}$ )	3.4 (TIP) - 2.4 (MIN) ( $I_{\text{MAX}}=20\text{mA}$ )	3.4 (TIP) - 2.4 (MIN) ( $I_{\text{MAX}}=20\text{mA}$ )
LOW LEVEL OUTPUT (Volt)	0.25 (TIP) - 0.6 (MAX) ( $I_{\text{MAX}}=25\text{mA}$ )	0.2 (TIP) - 0.4 (MAX) ( $I_{\text{MAX}}=20\text{mA}$ )	0.2 (TIP) - 0.4 (MAX) ( $I_{\text{MAX}}=20\text{mA}$ )
OUTPUT SIGNAL	Differential	Differential	Differential
MAXIMUM FREQUENCY (KHz)	100	100	720
POWER SUPPLY VOLTAGE (Volt)	$5 V_{\text{DC}} \pm 10\%$	$5 V_{\text{DC}} \pm 10\%$	$5 V_{\text{DC}} \pm 10\%$

ENCODER NEEDS CVEPA0D0M3 OR CVEPAZD0M3 R.T.A. CABLE. CONTACT R.T.A. FOR FURTHER DETAILS

DESCRIPTION	ENCODER PIN-OUT			R.T.A. CABLE LEADS COLOR
	04D0 PINS	04E0 PINS	0HE0 PINS	
CHANNEL A+	6	6	6	GREEN
CHANNEL A-	5	5	5	PURPLE
CHANNEL B+	8	8	8	BLUE
CHANNEL B-	7	7	7	BROWN
+ DC (5V)	2	2	2	RED
GROUND	3	3	3	BLACK
INDEX+	/	10	10	ORANGE
INDEX-	/	9	9	WHITE

R.T.A. CABLE CVM78/100 CVM78/300 CVEPA0D0M3 CVEPAZD0M3 CVEPAZD0M3

Suggested R.T.A. drive series: BSD, CSD, NDC, ADW, HGD, PLUS, FLEX-DRIVE



R.T.A. s.r.l.  
Via E. Mattei - Fraz- Divisa  
27020 Marcignago (PV) (Italy)  
T +39.0382.929.855  
F +39.0382.929.150  
www.rta.it

R.T.A. Deutschland GmbH  
Blublitzer Strasse 34, 40599  
Duesseldorf (Germany)  
T +49.211.749.668.60  
F +49.211.749.668.66  
www.rta-deutschland.de

R.T.A. IBERICA  
C/Generalitat 22, Local 1  
08850 Gava - Barcelona (Spain)  
T +34 936.388.805  
F +34 936.334.595  
www.rta-iberica.es

R.T.A. INDIA Pvt  
Teerth Business Center 3<sup>rd</sup> Floor, Unit No. 7,  
Block EL-15, MIDC Bhosari Pimpri-Chinchwad,  
Pune 411026 (India)  
Tel. +91 9422507445  
www.rta-india.in

R.T.A. s.r.l. PAVIA (ITALY) SANYO DENKI CO., Ltd (JAPAN)