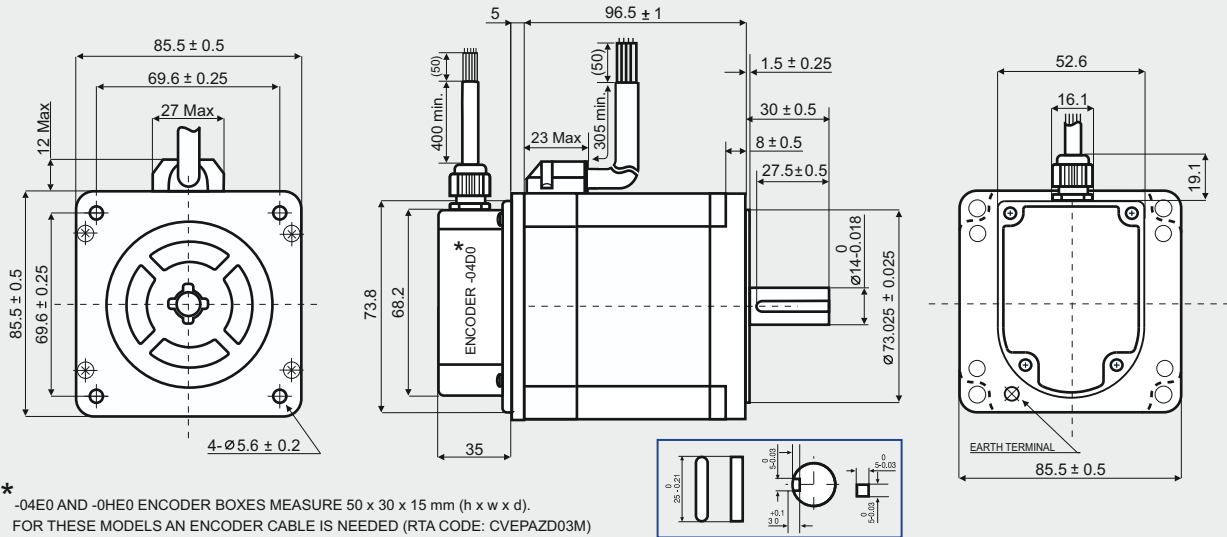


EM 3F2H-0XXO

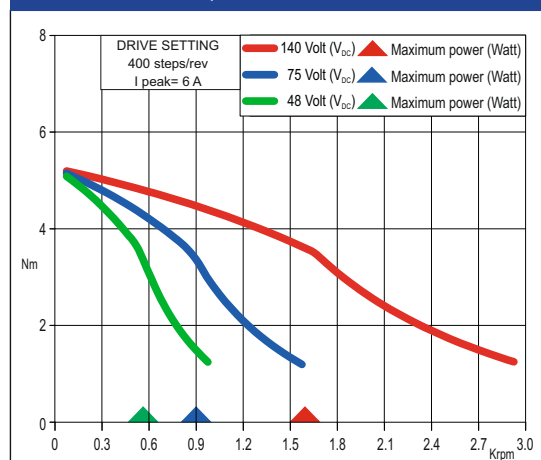
Dimensions (Unit:mm)



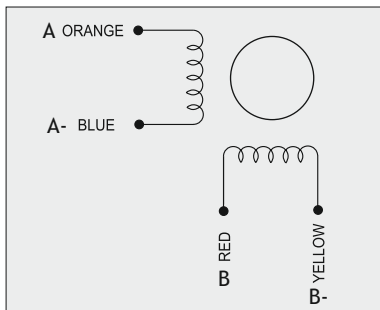
SANYO DENKI MOTOR FEATURES

| MODEL | EM 3F2H-0XXO |
|---|-------------------|
| SANYO DENKI MOTOR CODE | SM 2862-5225 |
| BASIC STEP ANGLE | 1.8° ± 0.09° |
| BIPOLAR PARALLEL CURRENT (A) | 6.0 |
| RESISTANCE (Ohm) | 0.36 |
| INDUCTANCE (mH) | 2.8 |
| BIPOLAR HOLDING TORQUE (Ncm) | 700 |
| ROTOR INERTIA (Kg·m ² × 10 ⁻⁷) | 3000 |
| THEORETICAL ACCELERATION (rad × sec. ⁻²) | 23300 |
| BACK E.M.F. (V/Krpm) | 120 |
| MASS (Kg) | 2.9 |
| INTERNATIONAL STANDARDS | UL, CSA |
| INSULATION VOLTAGE (V) | 250 VAC (350 VDC) |
| PROTECTION DEGREE - INSULATION CLASS | IP43 - F |
| LEADS CODE | V |

TORQUE/SPEED CURVE



| ENCODER OPTIONS: | EM 3F2H-04D0 | EM 3F2H-04E0 * | EM 3F2H-0HE0 * |
|-----------------------------|---|--|--|
| RESOLUTION | 400 cpr | 400 cpr | 4000 cpr |
| INDEX | No | Yes | Yes |
| CURRENT CONSUMPTION (mA) | 50 | 50 | 85 |
| HIGH LEVEL OUTPUT (Volt) | 5 (TIP) - 4.75 (MIN) (I _{max} =25mA) | 3.4 (TIP) - 2.4 (MIN) (I _{max} =20mA) | 3.4 (TIP) - 2.4 (MIN) (I _{max} =20mA) |
| LOW LEVEL OUTPUT (Volt) | 0.25 (TIP) - 0.6 (MAX) (I _{max} =25mA) | 0.2 (TIP) - 0.4 (MAX) (I _{max} =20mA) | 0.2 (TIP) - 0.4 (MAX) (I _{max} =20mA) |
| OUTPUT SIGNAL | Differential | Differential | Differential |
| MAXIMUM FREQUENCY (KHz) | 100 | 100 | 720 |
| POWER SUPPLY VOLTAGE (Volt) | 5 V _{DC} ± 10% | 5 V _{DC} ± 10% | 5 V _{DC} ± 10% |



ENCODER CABLE / ENCODER PIN OUT

| DESCRIPTION | 04D0 | 04E0 PINS | 0HE0 PINS |
|-------------|----------|-------------|-------------|
| CHANNEL A+ | ● BLUE | 6 ● GREEN | 6 ● GREEN |
| CHANNEL A- | ● BROWN | 5 ● PURPLE | 5 ● PURPLE |
| CHANNEL B+ | ● GREEN | 8 ● BLUE | 8 ● BLUE |
| CHANNEL B- | ● PURPLE | 7 ● BROWN | 7 ● BROWN |
| + DC (5V) | ● RED | 2 ● RED | 2 ● RED |
| GROUND | ● BLACK | 3 ● BLACK | 3 ● BLACK |
| INDEX+ | / | 10 ● ORANGE | 10 ● ORANGE |
| INDEX- | / | 9 ○ WHITE | 9 ○ WHITE |

R.T.A. CABLE

CVEPAZD03M

CVEPAZD03M

Suggested R.T.A. drive series: NDC, ADW, HGD, PLUS



R.T.A. s.r.l.
Via E. Mattei - Fraz- Divisa
27020 Marcignago (PV) (Italy)
T +39.0382.929.855
F +39.0382.929.150
www.rta.it

R.T.A. Deutschland GmbH
Bublitzer Strasse 34, 40599
Duesseldorf (Germany)
T +49.211.749.668.60
F +49.211.749.668.66
www.rta-deutschland.de

R.T.A. IBERICA
C/Generalitat 22, Local 1
08850 Gava - Barcelona (Spain)
T +34 936.388.805
F +34 936.334.595
www.rta-iberica.es

R.T.A. INDIA Pvt
Teerth Business Center 3rd Floor, Unit No. 7,
Block EL-15, MIDC Bhosari Pimpri-Chinchwad,
Pune 411026 (India)
Tel. +91 9422507445
www.rta-india.in