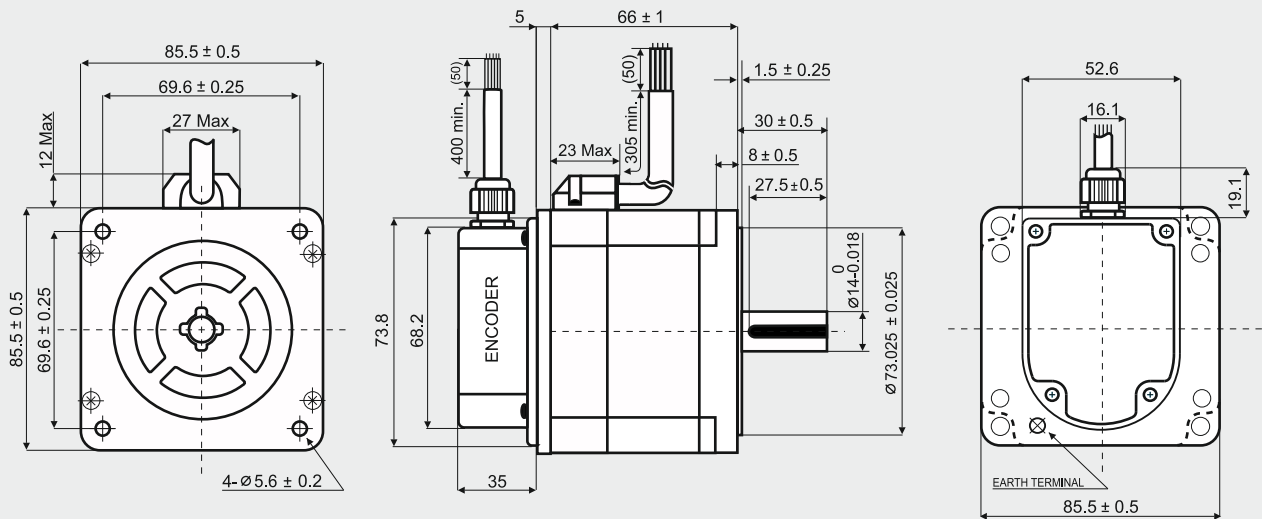


EM 3F1L-04D0

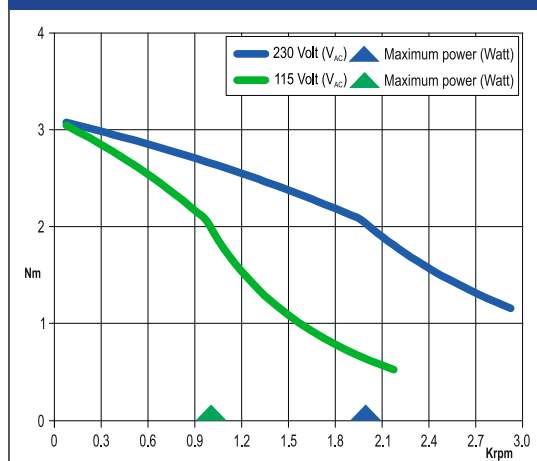
Dimensions (Unit:mm)



SANYO DENKI MOTOR FEATURES

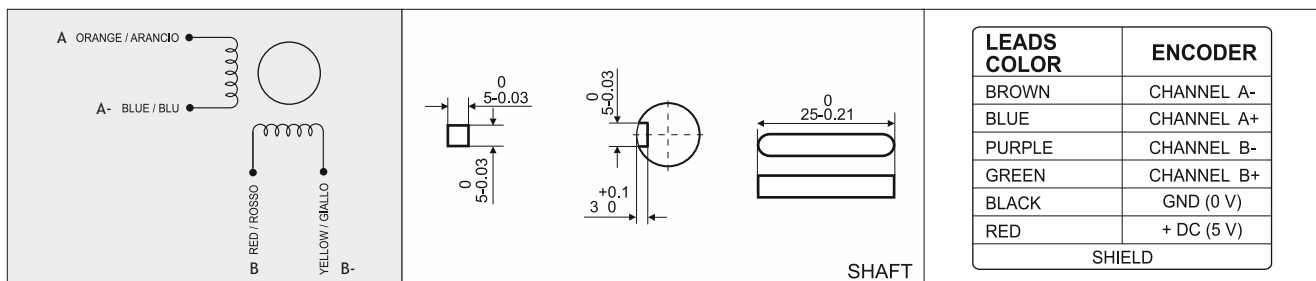
MODEL	EM 3F1L-04D0	
SANYO DENKI MOTOR CODE	SM 2861-5025	
BASIC STEP ANGLE	$1.8^\circ \pm 0.09^\circ$	
BIPOLAR PARALLEL CURRENT	(Amp)	2.0
RESISTANCE	(Ohm)	2.2
INDUCTANCE	(mH)	15
BIPOLAR HOLDING TORQUE	(Ncm)	360
ROTOR INERTIA	($\text{Kgm}^2 \times 10^{-7}$)	1480
THEORETICAL ACCELERATION	($\text{rad} \times \text{sec.}^{-2}$)	24300
BACK E.M.F.	(V/Krpm)	180
MASS	(Kg)	1.7
INTERNATIONAL STANDARDS	UL, CSA	
INSULATION VOLTAGE	(V)	250 VAC (350 VDC)
PROTECTION DEGREE - INSULATION CLASS	IP43 - F	
LEADS CODE	V	

TORQUE/SPEED CURVE



ENCODER FEATURES

POWER SUPPLY VOLTAGE	(Volt)	$5 V_{DC} \pm 5\%$
CURRENT CONSUMPTION	(mAmp)	40
HIGH LEVEL OUTPUT	(Volt)	3.4 (TIP) - 2.4 (MIN) ($I_{MAX}=20$ mA)
LOW LEVEL OUTPUT	(Volt)	0.2 (TIP) - 0.4 (MAX) ($I_{MAX}=20$ mA)
OUTPUT SIGNAL	Differential (SINGLE ENDED version available)	
RESOLUTION	400 cycles per revolution (500 & 1000 CPR version available)	
MAXIMUM FREQUENCY	(KHz)	60
INDEX VERSION	Available upon request	



Suggested R.T.A. drive model: X-PLUS L2



R.T.A. s.r.l.
Via E. Mattei - Fraz- Divisa
27020 Marcignago (PV) (Italy)
T +39.0382.929.855
F +39.0382.929.150
www.rta.it

R.T.A. Deutschland GmbH
Bublitzter Strasse 34, 40599
Duesseldorf (Germany)
T +49.211.749.668.60
F +49.211.749.668.66
www.rta-deutschland.de

R.T.A. IBERICA
C/Generalitat 22, Local 1
08850 Gava - Barcelona (Spain)
T +34 936.388.805
F +34 936.334.595
www.rta-iberica.es

R.T.A. INDIA Pvt
Teerth Business Center 3rd Floor, Unit No. 7,
Block EL-15, MIDC Bhosari Pimpri-Chinchwad,
Pune 411026 (India)
Tel. +91 9422507445
www.rta-india.in