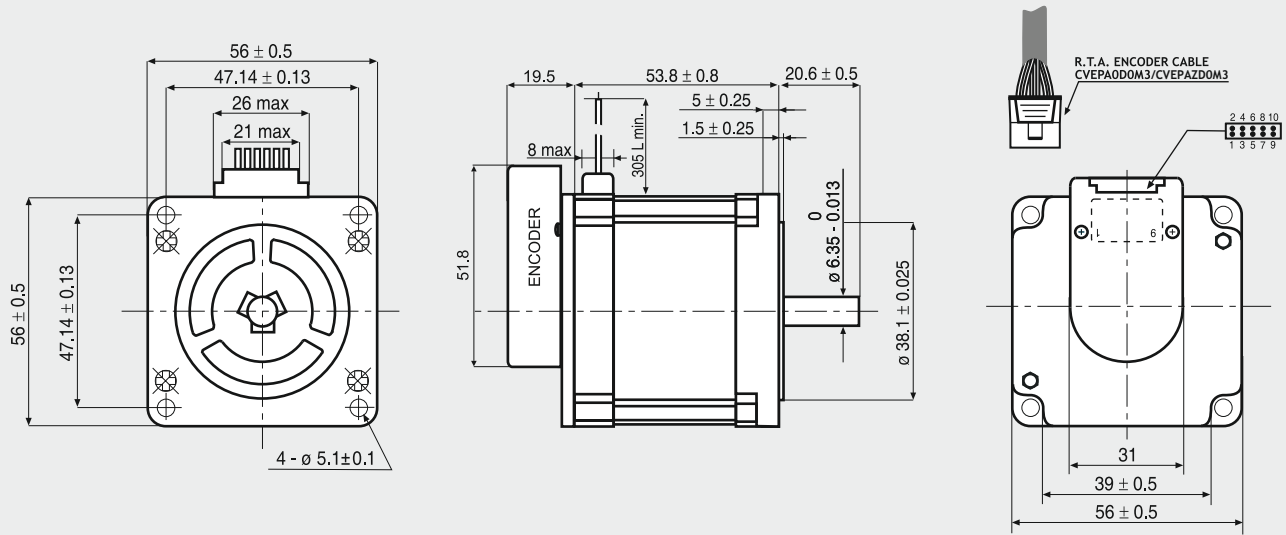


EM 2H1M-OXX0

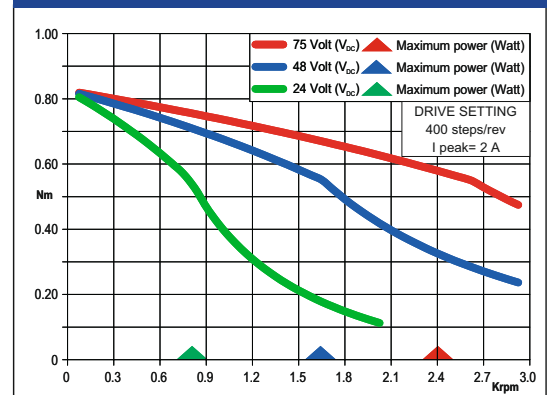
Dimensions (Unit:mm)



SANYO DENKI MOTOR FEATURES

MODEL	EM 2H1M-OXX0
SANYO DENKI MOTOR CODE	103-H7123-1711
BASIC STEP ANGLE	1.8° ± 0.09°
BIPOLEAR PARALLEL CURRENT (A)	4.0
RESISTANCE (Ohm)	0.41
INDUCTANCE (mH)	1.6
BIPOLEAR HOLDING TORQUE (Ncm)	110
ROTOR INERTIA (Kg ^m × 10 ⁻⁷)	210
THEORETICAL ACCELERATION (rad × sec. ⁻²)	50000
BACK E.M.F. (V/Krpm)	20
MASS (Kg)	0.65
LEADS CODE	V

TORQUE/SPEED CURVE



ENCODER OPTIONS:	EM 2H1M-04D0	EM 2H1M-04E0	EM 2H1M-0HE0
RESOLUTION	400 cpr	400 cpr	4000 cpr
INDEX	No	Yes	Yes
CURRENT CONSUMPTION (mA)	50	50	85
HIGH LEVEL OUTPUT (Volt)	5 (TIP) - 4.75 (MIN) (I _{max} =25mA)	3.4 (TIP) - 2.4 (MIN) (I _{max} =20mA)	3.4 (TIP) - 2.4 (MIN) (I _{max} =20mA)
LOW LEVEL OUTPUT (Volt)	0.25 (TIP) - 0.6 (MAX) (I _{max} =25mA)	0.2 (TIP) - 0.4 (MAX) (I _{max} =20mA)	0.2 (TIP) - 0.4 (MAX) (I _{max} =20mA)
OUTPUT SIGNAL	Differential	Differential	Differential
MAXIMUM FREQUENCY (KHz)	100	100	720
POWER SUPPLY VOLTAGE (Volt)	5 V _{DC} ± 10%	5 V _{DC} ± 10%	5 V _{DC} ± 10%

ENCODER NEEDS CVEPA0D0M3 OR CVEPAZ0M3 R.T.A. CABLE. CONTACT R.T.A. FOR FURTHER DETAILS

DESCRIPTION	ENCODER PIN-OUT			R.T.A. CABLE LEADS COLOR
	04D0 PINS	04E0 PINS	0HE0 PINS	
CHANNEL A+	6	6	6	GREEN
CHANNEL A-	5	5	5	PURPLE
CHANNEL B+	8	8	8	BLUE
CHANNEL B-	7	7	7	BROWN
+ DC (5V)	2	2	2	RED
GROUND	3	3	3	BLACK
INDEX+	/	10	10	ORANGE
INDEX-	/	9	9	WHITE

Suggested R.T.A. drive series: BSD, CSD, NDC, ADW, HGD, FLEX-DRIVE



R.T.A. s.r.l.
Via E. Mattei - Fraz- Divisa
27020 Marcignago (PV) (Italy)
T +39.0382.929.855
F +39.0382.929.150
www.rta.it

R.T.A. Deutschland GmbH
Bublitzter Strasse 34, 40599
Duesseldorf (Germany)
T +49.211.749.668.60
F +49.211.749.668.66
www.rta-deutschland.de

R.T.A. IBERICA
C/Generalitat 22, Local 1
08850 Gava - Barcelona (Spain)
T +34 936.388.805
F +34 936.334.595
www.rta-iberica.es

R.T.A. INDIA Pvt
Teerth Business Center 3rd Floor, Unit No. 7,
Block EL-15, MIDC Bhosari Pimpri-Chinchwad,
Pune 411026 (India)
Tel. +91 9422507445
www.rta-india.in