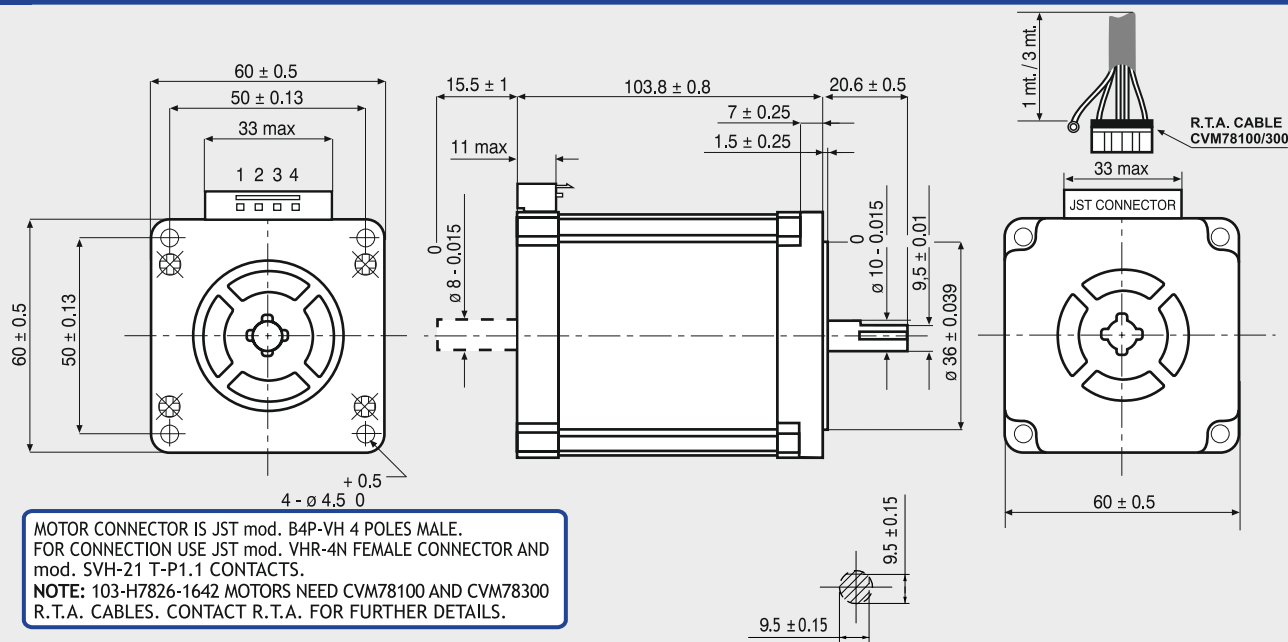


# 103-H7826-1642

SANYO DENKI  
SANMOTION

## Dimensions (Unit:mm)

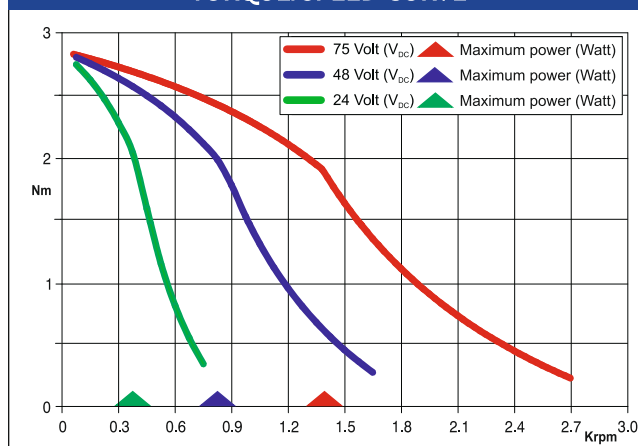


## FEATURES

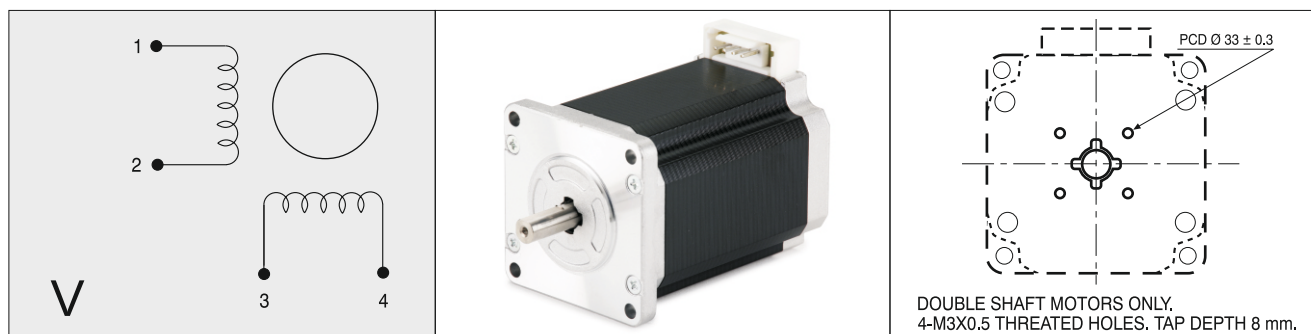
MODEL	103-H7826-1642 (103-H7826-1612)
BASIC STEP ANGLE	1.8° ± 0.09°
BIPOLAR CURRENT (Amp)	6.0
UNIPOLAR CURRENT (Amp)	
RESISTANCE (Ohm)	0.43
INDUCTANCE (mH)	1.45
BIPOLAR HOLDING TORQUE (Ncm)	380
UNIPOLAR HOLDING TORQUE (Ncm)	
ROTOR INERTIA (Kgm <sup>2</sup> x 10 <sup>-7</sup> )	1080
THEORETICAL ACCELERATION (rad x sec. <sup>-2</sup> )	35200
BACK E.M.F. (V/Krpm)	70
MASS (Kg)	1.65
LEADS CODE	V

Codes between brackets refer to double shaft models.

## TORQUE/SPEED CURVE



R.T.A. s.r.l. PAVIA (ITALY) SANYO DENKI CO., Ltd (JAPAN)



## Suggested R.T.A. drive series: NDC, ADW, HGD, PLUS



R.T.A. s.r.l.  
Via E. Mattei - Fraz- Divisa  
27020 Marcignago (PV) (Italy)  
T +39.0382.929.855  
F +39.0382.929.150  
www.rta.it

R.T.A. Deutschland GmbH  
Bublitzter Strasse 34, 40599  
Duesseldorf (Germany)  
T +49.211.749.668.60  
F +49.211.749.668.66  
www.rta-deutschland.de

R.T.A. IBERICA  
C/Generalitat 22, Local 1  
08850 Gava - Barcelona (Spain)  
T +34 936.388.805  
F +34 936.334.595  
www.rta-iberica.es

R.T.A. INDIA Pvt  
Teerth Business Center 3<sup>rd</sup> Floor, Unit No. 7,  
Block EL-15, MIDC Bhosari Pimpri-Chinchwad,  
Pune 411026 (India)  
Tel. +91 9422507445  
www.rta-india.in