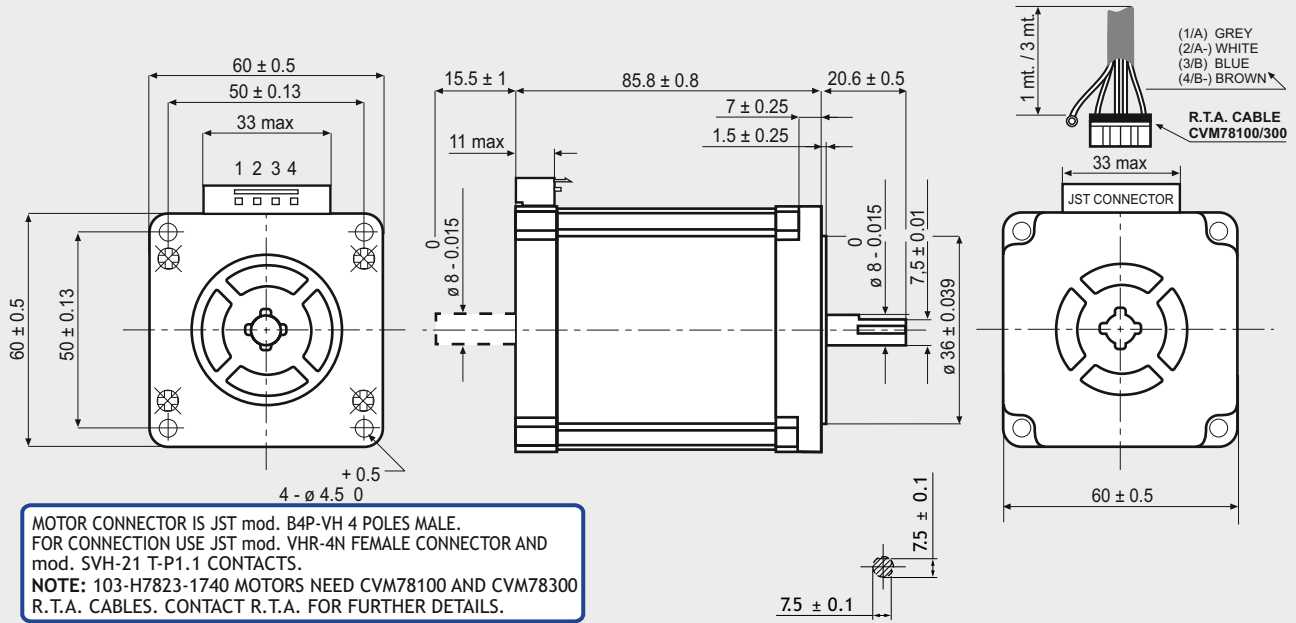


103-H7823-1740

SANYO DENKI
SANMOTION

Dimensions (Unit:mm)

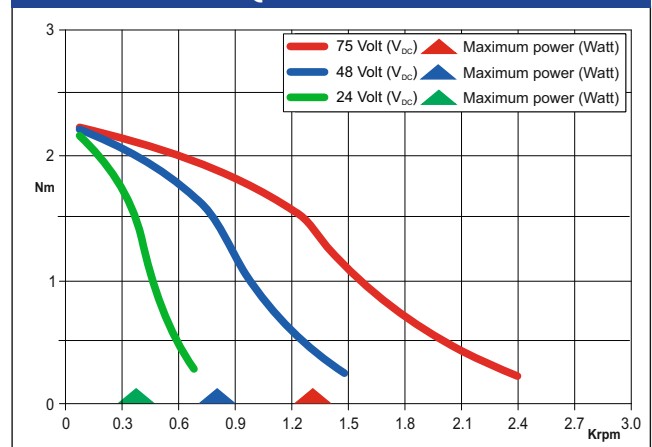


FEATURES

MODEL	103-H7823-1740 (103-H7823-1714)
BASIC STEP ANGLE	1.8° ± 0.09°
BIPOLAR CURRENT (Amp)	4.0
UNIPOLAR CURRENT (Amp)	
RESISTANCE (Ohm)	0.65
INDUCTANCE (mH)	2.4
BIPOLAR HOLDING TORQUE (Ncm)	300
UNIPOLAR HOLDING TORQUE (Ncm)	
ROTOR INERTIA (Kg m ² x 10 ⁻⁷)	840
THEORETICAL ACCELERATION (rad x sec. ⁻²)	35700
BACK E.M.F. (V/Krpm)	75
MASS (Kg)	1.4
LEADS CODE	V

Codes between brackets refer to double shaft models.

TORQUE/SPEED CURVE



R.T.A. s.r.l. PAVIA (ITALY) SANYO DENKI CO., Ltd (JAPAN)

V

DOUBLE SHAFT MOTORS ONLY.
4-M3X0.5 THREADED HOLES. TAP DEPTH 8 mm.

Suggested R.T.A. drive series: BSD, CSD, NDC, ADW, HGD, PLUS, FLEX-DRIVE



R.T.A. s.r.l.
Via E. Mattei - Fraz- Divisa
27020 Marcignago (PV) (Italy)
T +39.0382.929.855
F +39.0382.929.150
www.rta.it

R.T.A. Deutschland GmbH
Bublitzter Strasse 34, 40599
Duesseldorf (Germany)
T +49.211.749.668.60
F +49.211.749.668.66
www.rta-deutschland.de

R.T.A. IBERICA
C/Generalitat 22, Local 1
08850 Gava - Barcelona (Spain)
T +34 936.388.805
F +34 936.334.595
www.rta-iberica.es

R.T.A. INDIA Pvt
Teerth Business Center 3rd Floor, Unit No. 7,
Block EL-15, MIDC Bhosari Pimpri-Chinchwad,
Pune 411026 (India)
Tel. +91 9422507445
www.rta-india.in