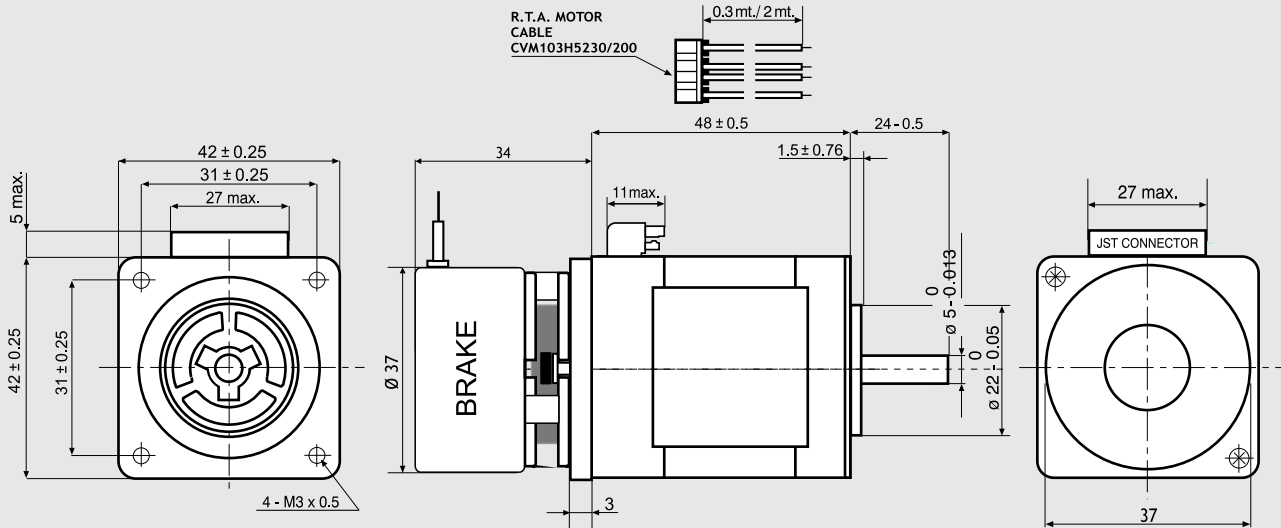


103-H5210-4512.B

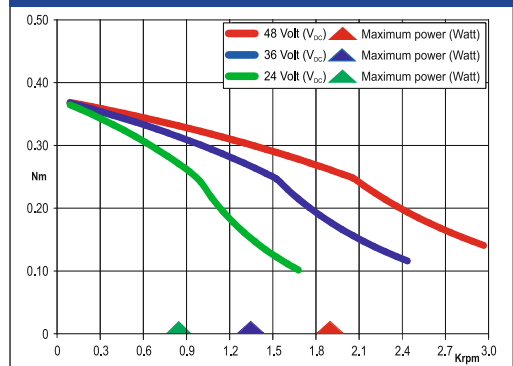
Dimensions (Unit:mm)



SANYO DENKI MOTOR FEATURES

MODEL	103-H5210-4512.B	
SANYO DENKI MOTOR CODE	103-H5210-4512	
BASIC STEP ANGLE	1.8° ± 0.09°	
BIPOLAR PARALLEL CURRENT	(Amp)	2.0
RESISTANCE	(Ohm)	1.25
INDUCTANCE	(mH)	2.4
BIPOLAR HOLDING TORQUE	(Ncm)	51
ROTOR INERTIA	(Kg·m ² × 10 ⁻⁷)	74
THEORETICAL ACCELERATION	(rad × sec. ⁻²)	69000
BACK E.M.F.	(V/Krpm)	25
MASS	(Kg)	0.55
LEADS CODE	V	

TORQUE/SPEED CURVE



103-H5210-4512 MOTOR NEEDS CVM103H5230 OR CVM103H52200 R.T.A. CABLES. CONTACT R.T.A. FOR FURTHER DETAILS.

BRAKE FEATURES

STATIC TORQUE	(Nm)	0.24
DUTY CYCLE		50% max.
VOLTAGE	(Volt)	24 VDC
POWER	(W)	5
RELEASE TIME	(ms)	50



Suggested R.T.A. drive series: BSD, CSD, FLEX-DRIVE



R.T.A. s.r.l.
Via E. Mattei - Fraz- Divisa
27020 Marcignago (PV) (Italy)
T +39.0382.929.855
F +39.0382.929.150
www.rta.it

R.T.A. Deutschland GmbH
Bublitzer Strasse 34, 40599
Duesseldorf (Germany)
T +49.211.749.668.60
F +49.211.749.668.66
www.rta-deutschland.de

R.T.A. IBERICA
C/Generalitat 22, Local 1
08850 Gava - Barcelona (Spain)
T +34 936.388.805
F +34 936.334.595
www.rta-iberica.es

R.T.A. INDIA Pvt
Teerth Business Center 3rd Floor, Unit No. 7,
Block EL-15, MIDC Bhosari Pimpri-Chinchwad,
Pune 411026 (India)
Tel. +91 9422507445
www.rta-india.in