

SANMOTION
AC SERVO SYSTEMS **RS1**

230
VAC

CANopen

230 VAC SERVOAMPLIFIERS AZIONAMENTI BRUSHLESS 230 VAC

R SERIES AC SERVOAMPLIFIERS - CANopen INTERFACE AZIONAMENTI SERIE R - INTERFACCIA CANopen

SEVEN SEGMENT LED DISPLAY: It allows to monitor amplifier and **CANopen** bus.
DISPLAY 7 SEGMENTI LED: con funzioni di monitor stato azionamento e rete **CANopen**.

CANopen interface CONNECTOR: RJ45 with integrated termination resistor.
CONNETTORE INTERFACCIA CANopen: Rj45 con resistenza di terminazione integrata.

I/O CONNECTOR: 6 inputs and 2 outputs setting by user.
CONNETTORE SEGNALI: 6 ingressi e 2 uscite configurabili dall'utente.

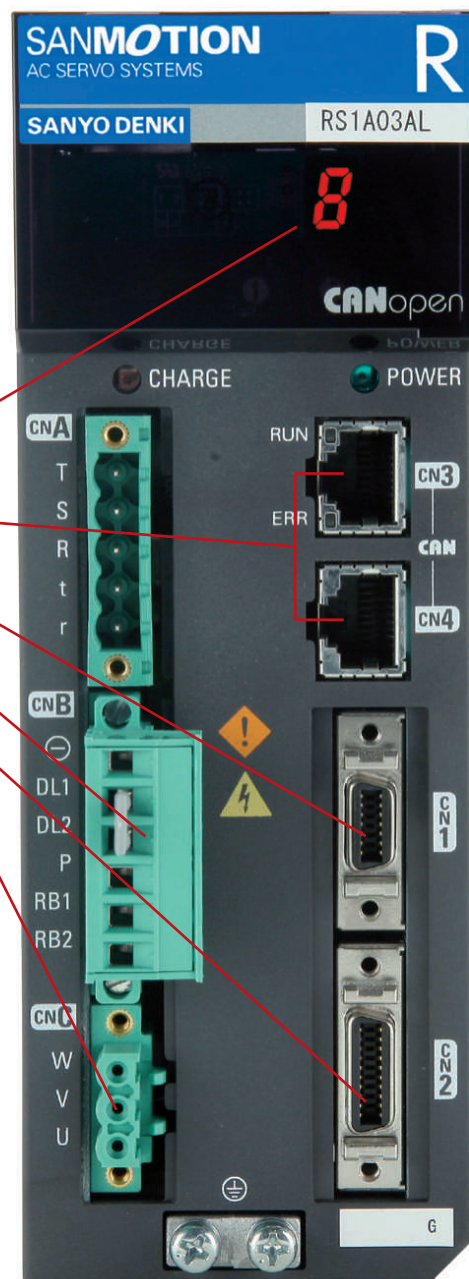
CONNECTOR for external regenerative resistor (optional).
CONNETTORE per resistenza di frenatura esterna (opzionale).

ENCODER CONNECTOR - CONNETTORE ENCODER

MOTOR POWER CONNECTOR - CONNETTORE POTENZA MOTORE ENCODER CONNECTOR -

MAIN FEATURES CANopen

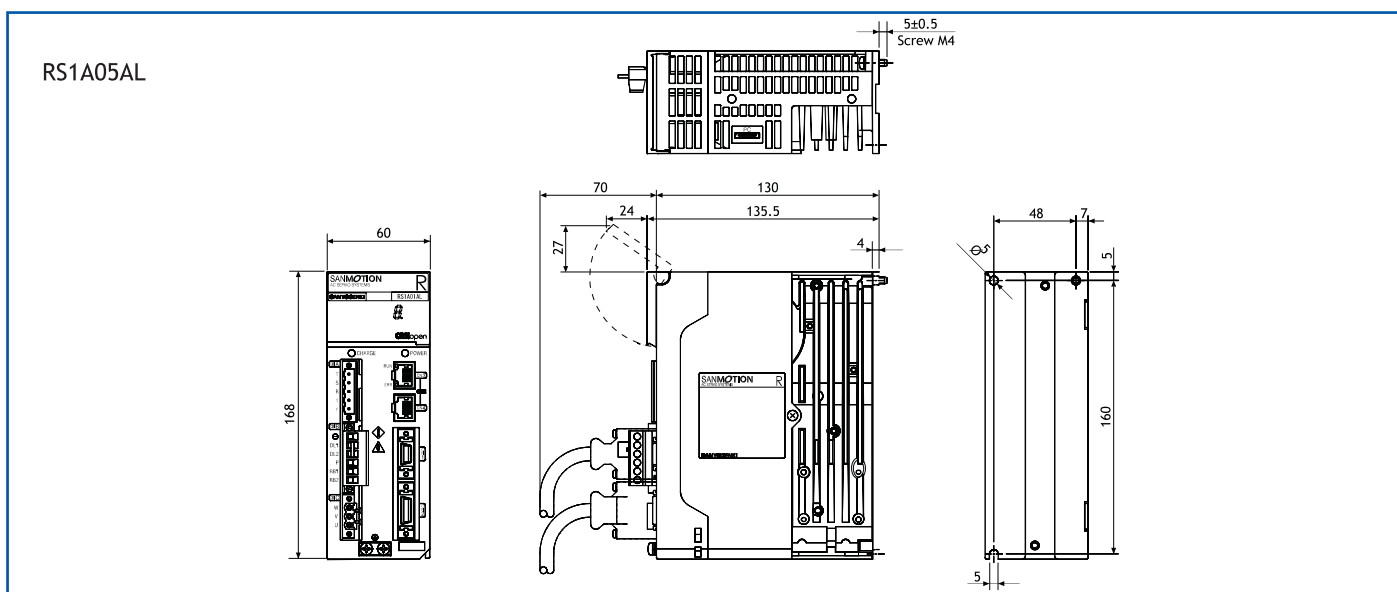
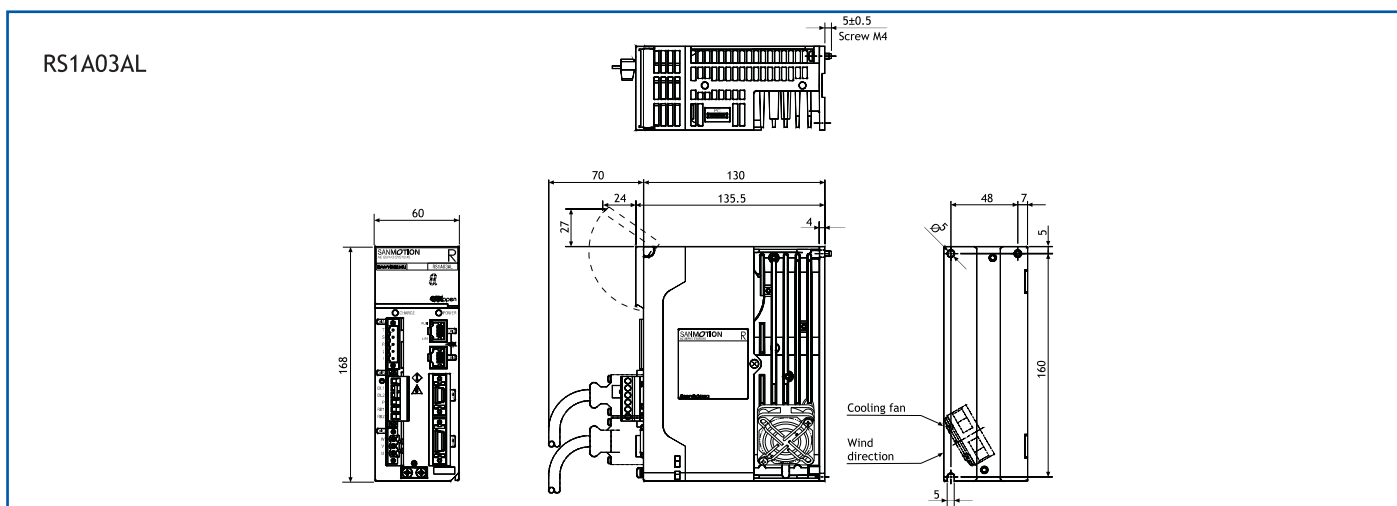
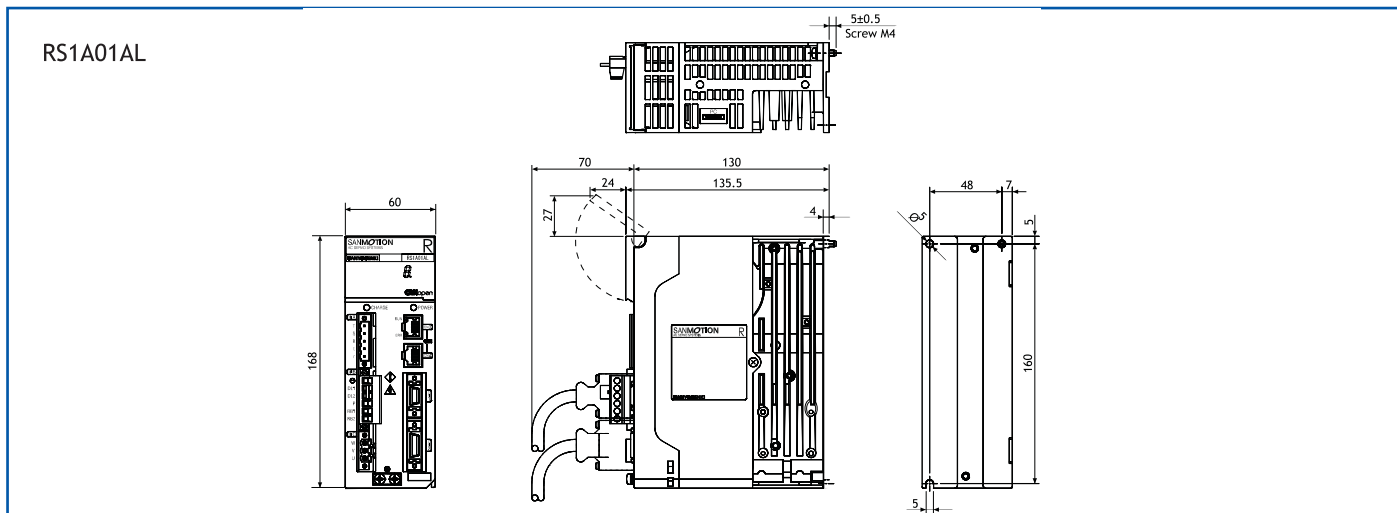
- Mode of Operation: Homing Mode, Profile Velocity Mode, Profile Position Mode, Profile Torque Mode, Interpolated Position Mode.
- Fast capture "freeze" function.
- EDS file available.



REAL DIMENSIONS

TECHNICAL DATA DATI TECNICI	CANopen Control Controllo CANopen		
	RS1A01AL	RS1A03AL	RS1A05AL
MODEL MODELLO	RS1A01AL	RS1A03AL	RS1A05AL
MAX CURRENT CORRENTE MAX. EROGABILE	15 Amp	30 Amp	50 Amp
MOTOR OUTPUT STAGE STADIO DI USCITA MOTORE	IGBT, PWM control, sinusoidal current		
POWER SUPPLY VOLTAGE TENSIONE DI ALIMENTAZIONE POTENZA	Single-phase or three-phase (configurable by the user) 200 VAC or 230 VAC (+10%, -15%) 50/60 Hz (± 3 Hz)		
LOGIC SUPPLY VOLTAGE TENSIONE DI ALIMENTAZIONE LOGICA	Single-phase from 200 VAC to 230 VAC (+10%, -15%) 50/60 Hz (± 3 Hz)		
DIMENSIONS (mm) DIMENSIONI (mm)	60x168x130	60x168x130	90x168x130
MASS (kg) MASSA (kg)	1.0	1.11	2.2

“RS1A” SERIES AC SERVOAMPLIFIERS: CANopen VERSION OUTLINE DRAWINGS



Dimensions mm.

© R.T.A. s.r.l. PAVIA (Italy) Allegato cat. CBEI 03-13