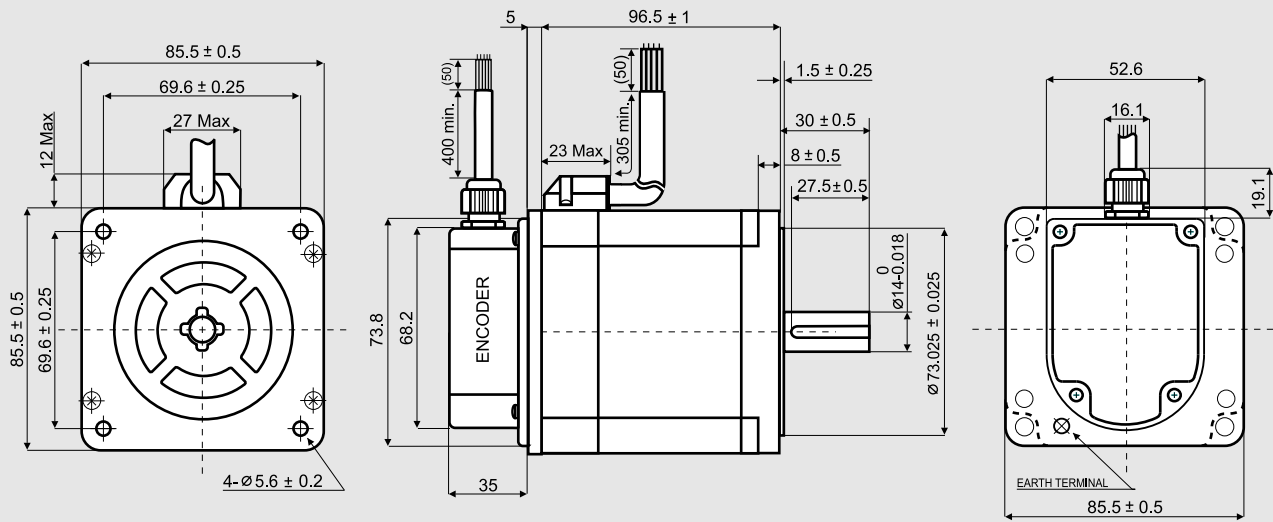


# EM 3F2H-04SO

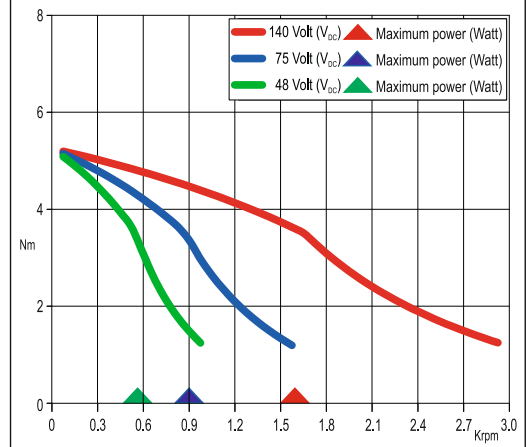
## Dimensions (Unit:mm)



## SANYO DENKI MOTOR FEATURES

MODEL	EM 3F2H-04SO
SANYO DENKI MOTOR CODE	SM 2862-5225
BASIC STEP ANGLE	1.8° ± 0.09°
BIPOLAR PARALLEL CURRENT	(Amp) 6.0
RESISTANCE	(Ohm) 0.36
INDUCTANCE	(mH) 2.8
BIPOLAR HOLDING TORQUE	(Ncm) 700
ROTOR INERTIA	(Kgm <sup>2</sup> × 10 <sup>-7</sup> ) 3000
THEORETICAL ACCELERATION	(rad × sec. <sup>-2</sup> ) 23300
BACK E.M.F.	(V/Krpm) 120
MASS	(Kg) 3.0
INTERNATIONAL STANDARDS	UL, CSA
INSULATION VOLTAGE	(V) 250 VAC (350 VDC)
PROTECTION DEGREE - INSULATION CLASS	IP43 - F
LEADS CODE	V

## TORQUE/SPEED CURVE

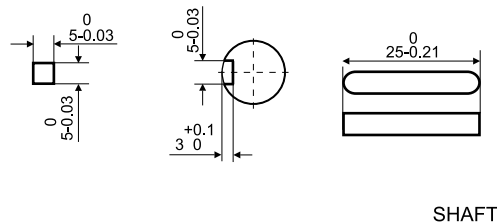
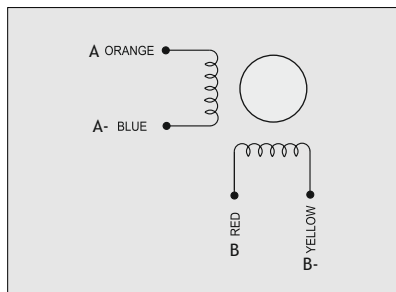


R.T.A. s.r.l. PAVIA (ITALY) SANYO DENKI CO., Ltd (JAPAN)

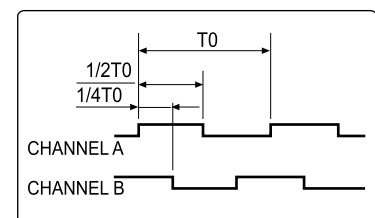
## ENCODER FEATURES

POWER SUPPLY VOLTAGE	(Volt)	5 V <sub>DC</sub> ± 5%
CURRENT CONSUMPTION	(mAmp)	35
HIGH LEVEL OUTPUT	(Volt)	3.4 (TIP) - 2.4 (MIN) (I <sub>max</sub> =10 mA)
LOW LEVEL OUTPUT	(Volt)	0.2 (TIP) - 0.4 (MAX) (I <sub>max</sub> =10 mA)
OUTPUT SIGNAL		Single Ended
RESOLUTION		400 cycles per revolution
MAXIMUM FREQUENCY	(KHz)	60

LEADS COLOR	ENCODER
BLUE	CHANNEL A
GREEN	CHANNEL B
BLACK	GND (0 V)
RED	+ DC (5 V)
SHIELD	



## ENCODER OUTPUT WAVEFORM



R.T.A. s.r.l.  
Via E. Mattei - Fraz- Divisa  
27020 Marcignago (PV) (Italy)  
T +39.0382.929.855  
F +39.0382.929.150  
www.rta.it

R.T.A. Deutschland GmbH  
Bublitzstrasse 34, 40599  
Duesseldorf (Germany)  
T +49.211.749.668.60  
F +49.211.749.668.66  
www.rta-deutschland.de

R.T.A. IBERICA  
C/Generalitat 22, Local 1  
08850 Gava - Barcelona (Spain)  
T +34 936.388.805  
F +34 936.334.595  
www.rta-iberica.es

R.T.A. INDIA Pvt  
Teerth Business Center 3<sup>rd</sup> Floor, Unit No. 7,  
Block EL-15, MIDC Bhosari Pimpri-Chinchwad,  
Pune 411026 (India)  
Tel. +91 9422507445  
www.rta-india.in