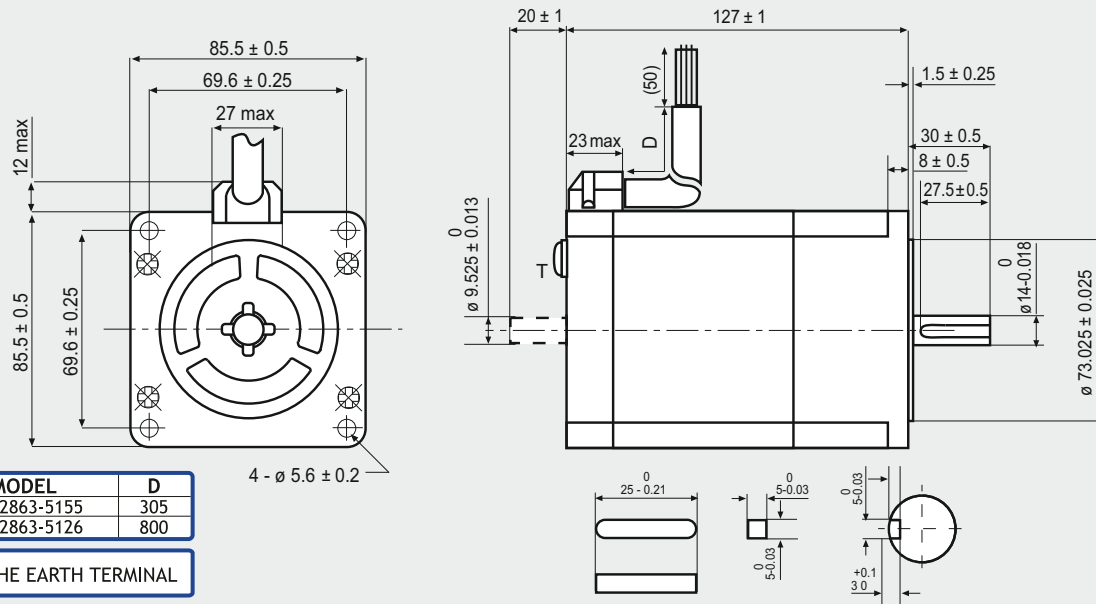


SM 2863-5155

SANYO DENKI
SANMOTION

Dimensions (Unit:mm)

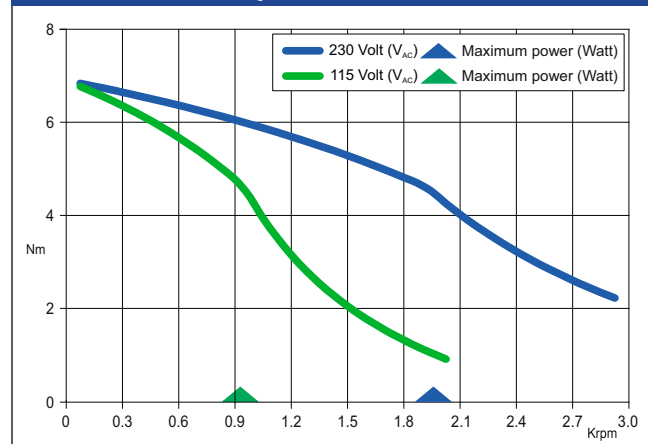


FEATURES

| MODEL | SM 2863-5155 (SM 2863-5126) |
|---|--|
| BASIC STEP ANGLE | 1.8° ± 0.09° |
| BIPOLAR CURRENT (Amp) | 4.0 |
| RESISTANCE (Ohm) | 1.0 |
| INDUCTANCE (mH) | 7.9 |
| BIPOLAR HOLDING TORQUE (Ncm) | 920 |
| ROTOR INERTIA (Kg ^m ² x 10 ⁻⁷) | 4500 |
| THEORETICAL ACCELERATION (rad x sec. ⁻²) | 20500 |
| BACK E.M.F. (V/Krpm) | 241 |
| MASS (Kg) | 4 |
| INTERNATIONAL STANDARDS | UL, CSA |
| INSULATION VOLTAGE (V) | 250 V _{AC} (350 V _{DC}) |
| PROTECTION DEGREE | IP43-F |
| LEADS CODE | V |

Codes between brackets refer to double shaft models.

TORQUE/SPEED CURVE



R.T.A. s.r.l. PAVIA (ITALY) SANYO DENKI CO., Ltd (JAPAN)



Suggested R.T.A. drive series: 230 Vac X-PLUS



R.T.A. s.r.l.
Via E. Mattei - Fraz- Divisa
27020 Marcignago (PV) (Italy)
T +39.0382.929.855
F +39.0382.929.150
www.rta.it

R.T.A. Deutschland GmbH
Bublitzer Strasse 34, 40599
Duesseldorf (Germany)
T +49.211.749.668.60
F +49.211.749.668.66
www.rta-deutschland.de

R.T.A. IBERICA
C/Generalitat 22, Local 1
08850 Gava - Barcelona (Spain)
T +34 936.388.805
F +34 936.334.595
www.rta-iberica.es

R.T.A. INDIA Pvt
Teerth Business Center 3rd Floor, Unit No. 7,
Block EL-15, MIDC Bhosari Pimpri-Chinchwd,
Pune 411026 (India)
Tel. +91 9422507445
www.rta-india.in