

**SANMOTION**  
AC SERVO SYSTEMS **RS3C**

**400**  
VAC

**SIL3**  
SAFE TORQUE  
OFF (STO)

**EtherCAT**

**3rd**  
GENERATION!

## 400 VAC SERVOAMPLIFIERS

### RS3C SERIES AC SERVOAMPLIFIERS - EtherCAT INTERFACE

**FIVE DIGIT DISPLAY:** It allows to monitor amplifier and EtherCAT Network.

**POWER CONNECTION:** 400 VAC, three-phase. Built-in protection circuits against overload and input overvoltage.

**PC CONNECTOR:** The amplifier can be set and monitored by means of Personal Computer USB interface.

**EtherCAT INTERFACE CONNECTOR:** RJ45 - CAT5e.

**CONTROL POWER SUPPLY CONNECTOR** 24 VDC.

**POWER SUPPLY MOTOR BRAKE EMBEDDED.**

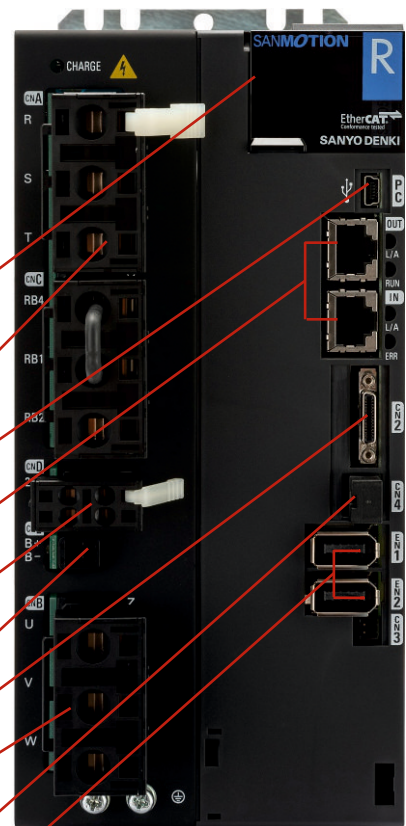
**I/O CONNECTOR:** 7 inputs and 2 outputs configurable by user.

**MOTOR POWER CONNECTOR**

**SAFE TORQUE OFF - SIL3 CONNECTOR**

**SIL3**  
SAFE TORQUE  
OFF (STO)

**SECOND ENCODER CONNECTOR FOR EXTERNAL LINEAR SCALE TO AVOID BACKLASH**



Model RS3C05A2HL4  
Dimensions:  
(100X235X235)

### MAIN FEATURES OF THE 3rd GENERATION

- Safe Torque Off (STO) function - SIL3 [Performance Level - PL = e]
- Mode of Operation: Homing Mode, Profile Velocity Mode, Profile Position Mode, Profile Torque Mode, Cycle Sync Position Mode, Cycle Sync Velocity Mode, Cycle Sync Torque Mode
- Touch Probe Function
- XML file available
- Speed frequency response of 2.2 kHz [3.3 times that of previous RS1 model!]

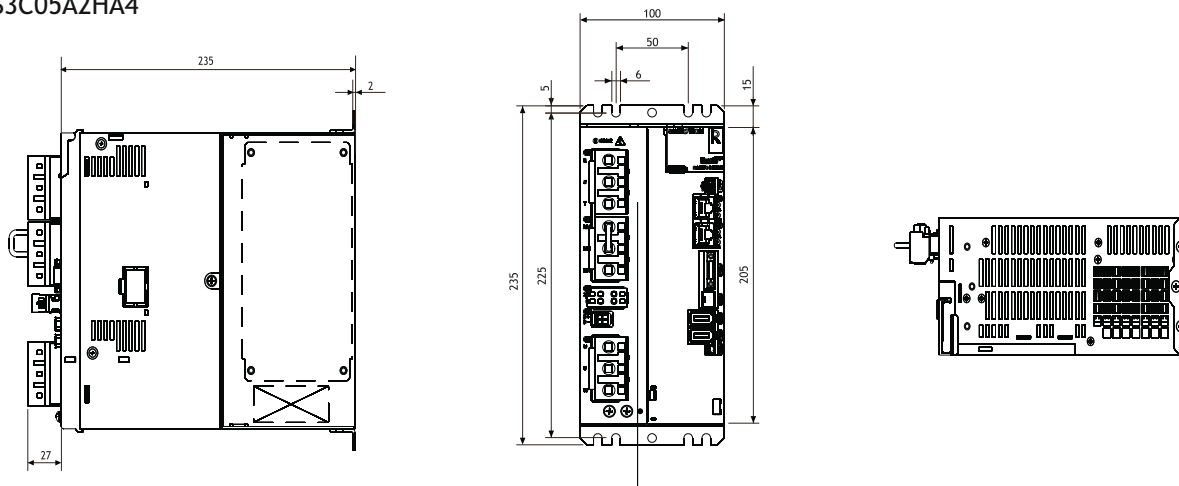
**SIL3**  
SAFE TORQUE  
OFF (STO)

**CRAUS**

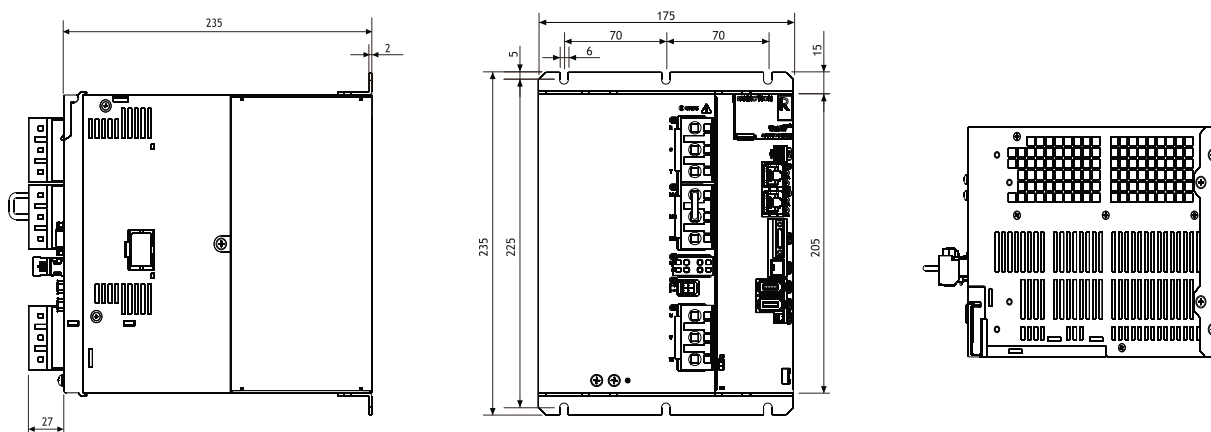
TECHNICAL DATA	EtherCAT Control			
	MODEL	RS3C05A2HA4	RS3C10A2HA4	RS3C15A2HL4
MAX CURRENT		50 Amp	100 Amp	150 Amp
MOTOR OUTPUT STAGE	IGBT, PWM control, sinusoidal current			
POWER SUPPLY VOLTAGE	Three-phase 380 VAC to 480 VAC (+10%, -15%) 50/60 Hz (± 3 Hz)			
CONTROL POWER SUPPLY	24VDC +/- 10%			
DIMENSIONS (mm)	100x235x235	175x235x235	220x375x217	
MASS (kg)	4.7	8.5	11.0	

**“RS3C” SERIES AC SERVOAMPLIFIERS:**  
EtherCAT VERSION OUTLINE DRAWINGS

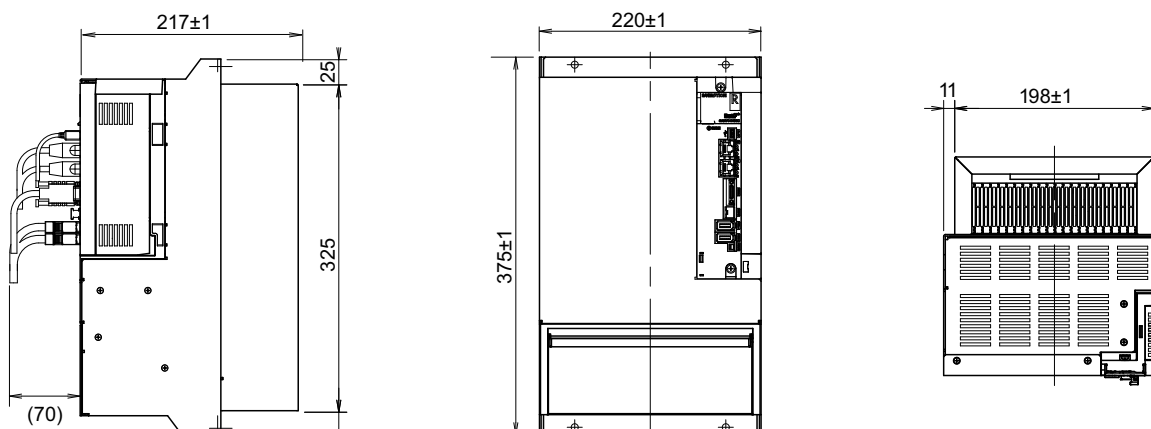
RS3C05A2HA4



RS3C10A2HL4



RS3C15A2HL4



Dimensions mm.