

SANMOTION
AC SERVO SYSTEMS **RS3**

400
VAC

SIL3
SAFE TORQUE
OFF (STO)

**PULSE TRAIN
ANALOG INPUT**

**3rd
GENERATION!**

400 VAC SERVOAMPLIFIERS

RS3C SERIES AC SERVOAMPLIFIERS

SEVEN DIGIT DISPLAY AND OPERATION KEY: It allows to view and modify parameters and monitor in real time the behaviour of the system.

POWER CONNECTION: 400 VAC, three-phase. Built-in protection circuits against overload and input overvoltage.

PC CONNECTOR: The amplifier can be set and monitored by means of USB interface.

CONNECTION for external regenerative resistor (optional).

I/O CONNECTOR: Control pulse train (clock + direction; forward + backward pulse; 90° phase shift) or analog signal (proportional to speed or torque). 8 inputs and 8 outputs configurable by user.

CONTROL POWER SUPPLY CONNECTOR 24 VDC.

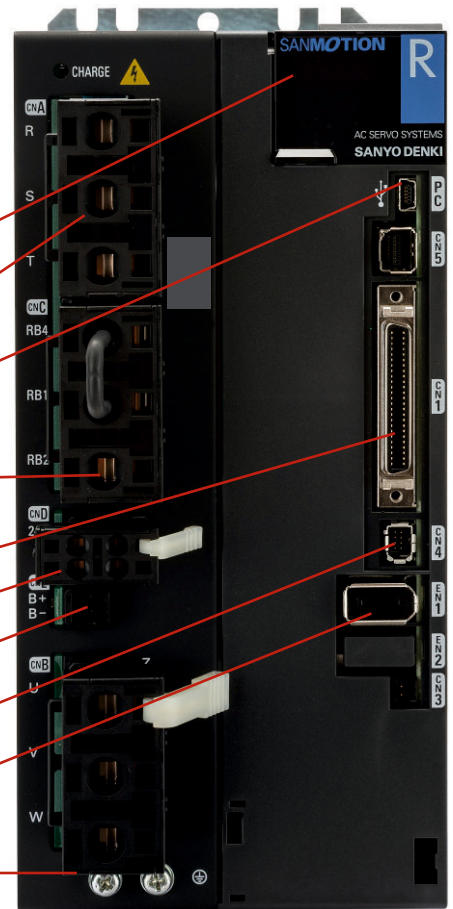
POWER SUPPLY MOTOR BRAKE EMBEDDED.

SAFE TORQUE OFF - SIL3 CONNECTOR



ENCODER CONNECTOR

MOTOR POWER CONNECTION



MAIN FEATURES OF THE 3rd GENERATION

- Safe Torque Off (STO) function - SIL3/IEC61508 Performance Level - PL = e/ISO13849-1
- Speed frequency response of 2.2 kHz [3.3 times that of previous RS1 model!]

Model RS3C05A0AA2

Dimensions:

(100X235X235)

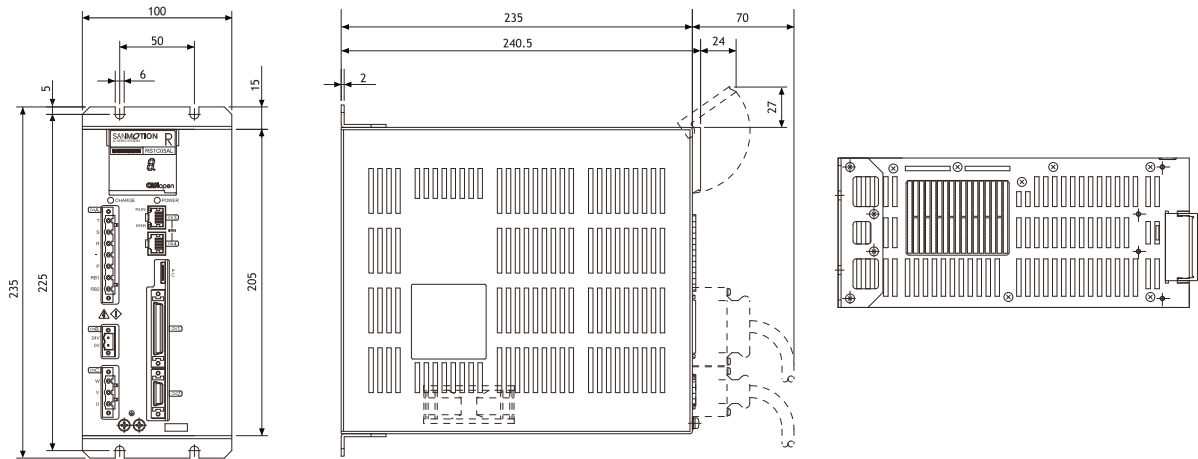


TECHNICAL DATA	Position, Velocity, Torque (Control Mode Switching available)		
	RS3C05A0AA2	RS3C10A0AA2	RS3C15A0AL2
MODEL	RS3C05A0AA2	RS3C10A0AA2	RS3C15A0AL2
MAX CURRENT	50 Amp	100 Amp	150 Amp
MOTOR OUTPUT STAGE	IGBT, PWM control, sinusoidal current		
POWER SUPPLY VOLTAGE	Three-phase 380 VAC to 480 VAC (+10%, -15%) 50/60 Hz (± 3 Hz)		
CONTROL POWER SUPPLY	24VDC +/- 10%		
DIMENSIONS (mm)	100x235x235	175x235x235	220x375x217
MASS (kg)	4.7	8.5	11.0

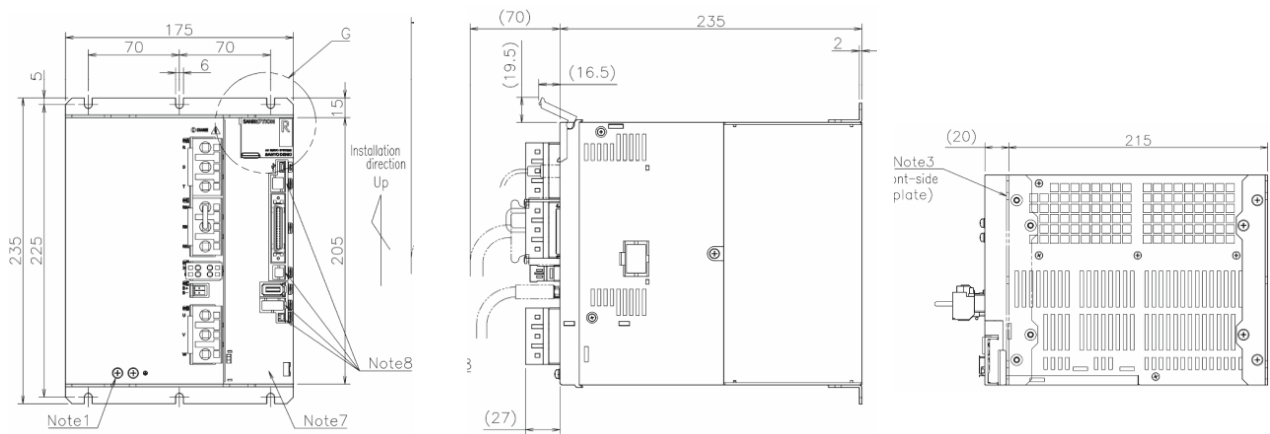
RS3C SERIES AC SERVOAMPLIFIERS

PULSE TRAIN AND ANALOG INPUT VERSION OUTLINE DRAWINGS

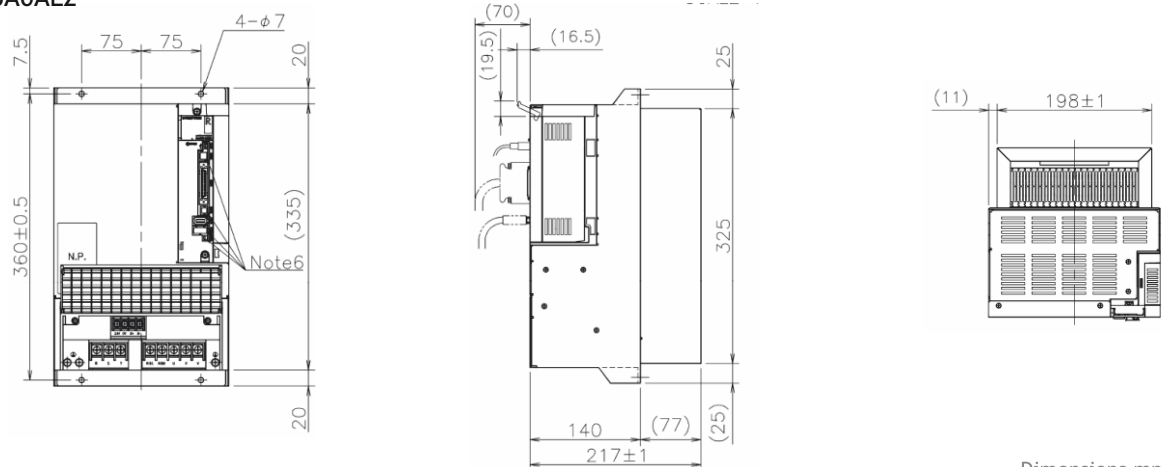
RS3C05A0AA2



RS3C10A0AA2



RS3C15A0AL2



Dimensions mm.