

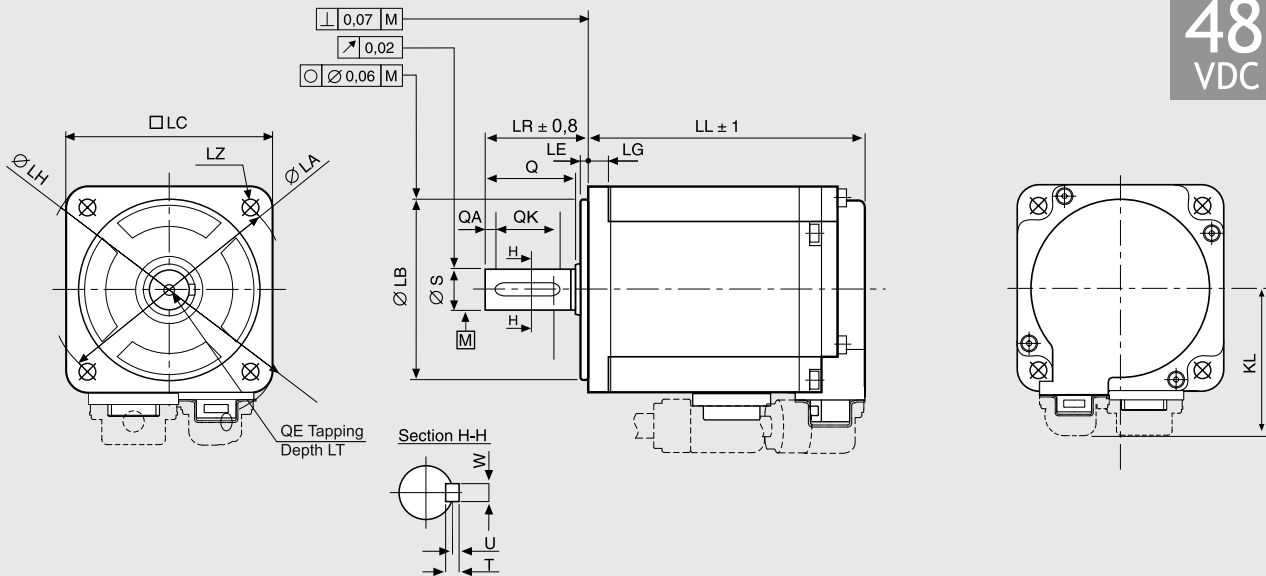
R2GD06020DXH11M

SANYO DENKI
SANMOTION



Dimensions (Unit:mm)

48
VDC



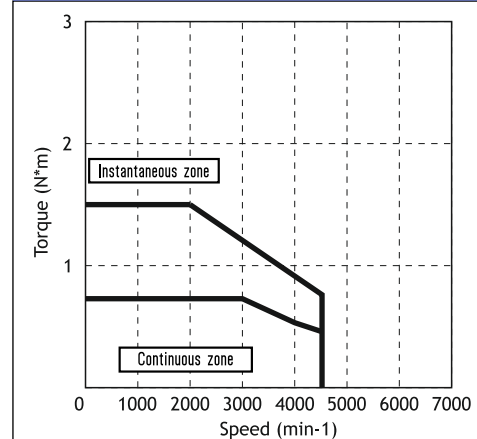
without brake LL	with brake LL	LG	KL	LA	LB	LE	LH	LC	LZ	LR	S	Q	QA	QK	W	T	U	QE	LT
69.5	-	6	44.6	70	50-0.025 ⁰	3.0	82	60	4-Ø5.5	30	14-0.011 ⁰	25	2	20	5	5	2	M5	12

FEATURES

MODEL	R2GD06020DXH11M	
NOMINAL POWER	(W)	200
NOMINAL SPEED	(rpm)	3000
MAXIMUM SPEED	(rpm)	4500
NOMINAL TORQUE	(Nm)	0.637
STALL TORQUE	(Nm)	0.637
MAXIMUM TORQUE	(Nm)	1.5
INERTIA	(Kg*m ²)	0.219*10 ⁻⁴
ENCODER	(imp./rev)	131072 (17 bit)
PROTECTION DEGREE		IP67
WEIGHT	(Kg)	0.84

* Protection degree IP67 (except for the shaft hole and the edge of the cable).

TORQUE CURVE



R.T.A. s.r.l. PAVIA (ITALY) SANYO DENKI CO., Ltd (JAPAN)



Indicated performances refer to motor controlled by related 48 VDC step-dir and EtherCAT servo-amplifiers.

Suggested amplifiers: RF2G21A0A00, RF2K24A0HL5, RS2K04A2HL5



R.T.A. s.r.l.
Via E. Mattei - Fraz. Divisa
27020 Marcignago (PV) (Italy)
T +39.0382.929.855
F +39.0382.929.150
www.rta.it

R.T.A. Deutschland GmbH
Bublitzstrasse 34, 40599
Duesseldorf (Germany)
T +49.211.749.668.60
F +49.211.749.668.66
www.rta-deutschland.de

R.T.A. IBERICA
C/Generalitat 22, Local 1
08850 Gava - Barcelona (Spain)
T +34 936.388.805
F +34 936.334.595
www.rta-iberica.es

R.T.A. INDIA Pvt
Teerth Business Center 3rd Floor, Unit No. 7,
Block EL-15, MIDC Bhosari Pimpri-Chinchwad,
Pune 411026 (India)
Tel. +91 9422507445
www.rta-india.in