

# R2CA18350LXROOM (R2CA18350LCROOM)

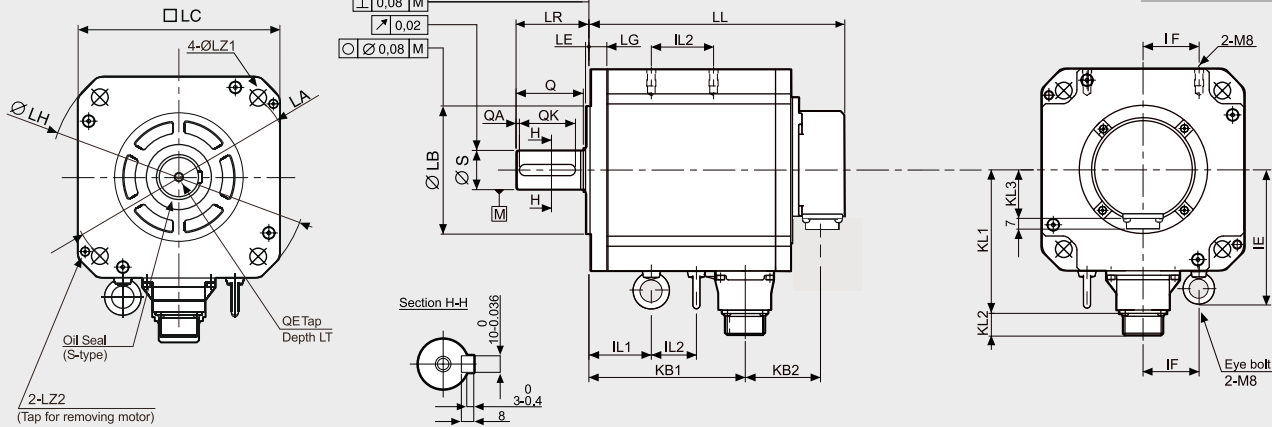
SANYO DENKI  
SANMOTION

Dimensions (Unit:mm)

C **RA** <sup>®</sup> US



400  
VAC

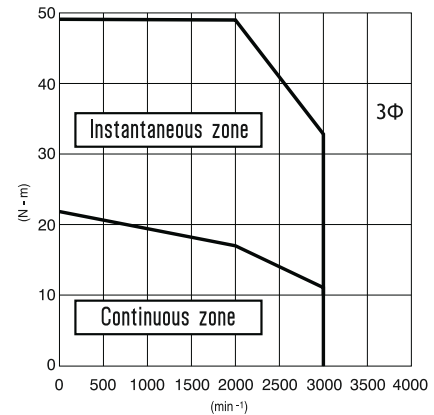


without brake LL	with brake LL	KB2	KB2	KL1	KL2	KL3	LG	LA	LB	LE	LH	LC	LZ1	LZ2	LR	S	Q	QA	QK	IL1	IL2	IF	IE	KB1	QE	LT
159	52	206	99	123	21	38	16	200	0 Ø114.3-0.035	3	Ø230	□180	Ø13.5	M8	65	0 Ø35-0.016	60	3	50	47	20	50	123	92	M8	25

## FEATURES

MODEL	R2CA18350LXROOM (R2CA18350LCROOM)	
NOMINAL POWER	(W)	3500
NOMINAL SPEED	(rpm)	2000
MAXIMUM SPEED	(rpm)	3000
NOMINAL TORQUE	(Nm)	17.0
STALL TORQUE	(Nm)	22.0
MAXIMUM TORQUE	(Nm)	49.0
INERTIA	(Kg·m <sup>2</sup> )	40×10 <sup>-4</sup>
BATTERY-LESS ABSOLUTE ENCODER	(imp./rev)	SINGLE TURN: 131072 imp/rev (17 bit) MULTI TURN: 65536 turns (16 bit)
PROTECTION DEGREE		IP65
WEIGHT	(Kg)	15.5

## TORQUE CURVE R2CA18350LXH [3.5kW] + RS3C05



R.T.A. s.r.l. PAVIA (ITALY) SANYO DENKI CO., Ltd (JAPAN)

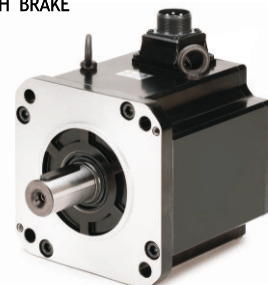
WITHOUT BRAKE



Indicated performances refer to motor controlled by related RS3 standard and EtherCat amplifiers.

3Φ = torque curve with three-phase power supply

WITH BRAKE



Suggested amplifiers: RS3C05A0AA2, RS3C05A2HA4



R.T.A. s.r.l.  
Via E. Mattei - Fraz- Divisa  
27020 Marcignago (PV) (Italy)  
T +39.0382.929.855  
F +39.0382.929.150  
www.rta.it

R.T.A. Deutschland GmbH  
Bublitzer Strasse 34, 40599  
Duesseldorf (Germany)  
T +49.211.749.668.60  
F +49.211.749.668.66  
www.rta-deutschland.de

R.T.A. IBERICA  
C/Generalitat 22, Local 1  
08850 Gava - Barcelona (Spain)  
T +34 936.388.805  
F +34 936.334.595  
www.rta-iberica.es

R.T.A. INDIA Pvt  
Teerth Business Center 3<sup>rd</sup> Floor, Unit No. 7,  
Block EL-15, MIDC Bhosari Pimpri-Chinchwd,  
Pune 411026 (India)  
Tel. +91 9422507445  
www.rta-india.in