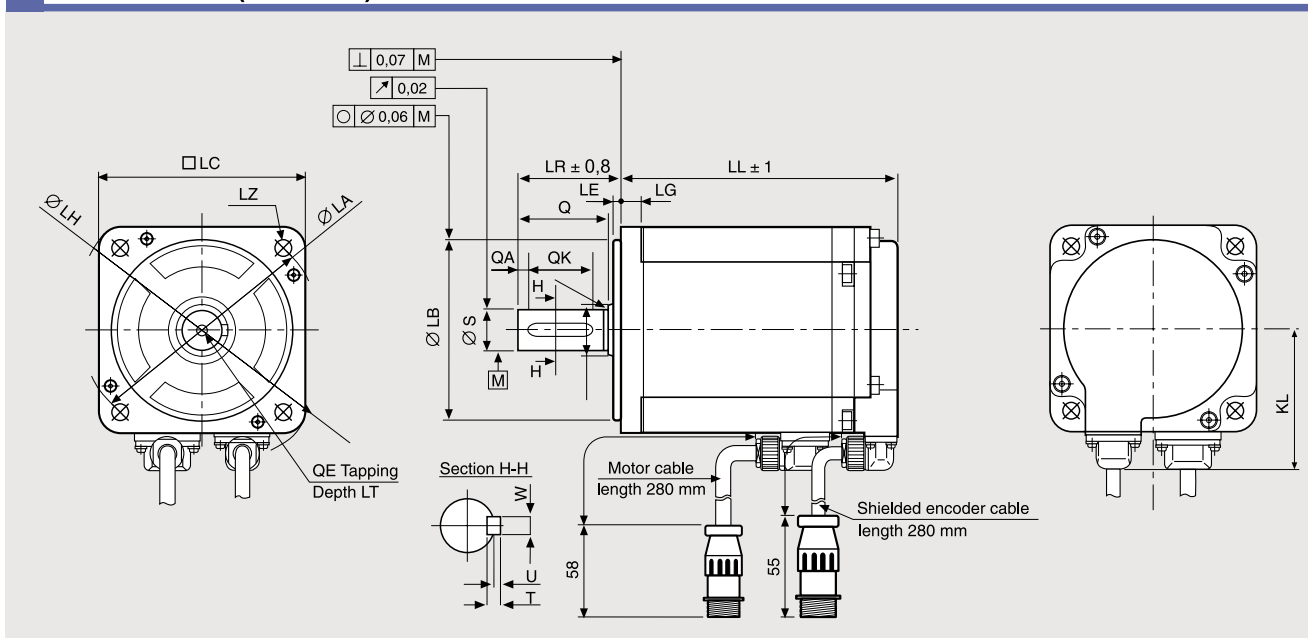


R2AA06040FXH11M (R2AA06040FCH11M6)

SANYO DENKI
SANMOTION



Dimensions (Unit:mm)

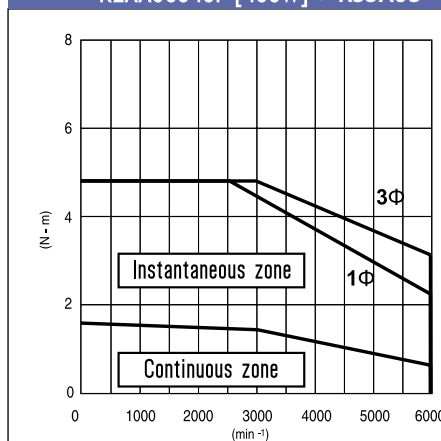


without brake	with brake	LG	KL	LA	LB	LE	LH	LC	LZ	LR	S	Q	QA	QK	W	T	U	QE	LT	
LL	LL																			
95.5	123.5	6	44.6	70	50-0.025 ⁰	3.0	82	60	4-Ø5.5	30	14-0.011 ⁰	25	2	20	5	5	2	M5	12	

FEATURES

MODEL	R2AA06040FXH11M
NOMINAL POWER [version with brake] (W)	400 [360]
NOMINAL SPEED (rpm)	3000
MAXIMUM SPEED (rpm)	6000
NOMINAL TORQUE (Nm)	1.270
STALL TORQUE (Nm)	1.370
MAXIMUM TORQUE (Nm)	4.80
INERTIA (Kg*m ²)	0.412x10 ⁻⁴
ENCODER (imp./rev)	131072 (17 bit)
PROTECTION DEGREE	IP67
WEIGHT [version with brake] (Kg)	1.30 [1.65]

TORQUE CURVE R2AA06040F [400W] + RS3A03



R.T.A. s.r.l. PAVIA (ITALY) SANYO DENKI CO., Ltd (JAPAN)

* Protection degree IP67 (except for the shaft hole and the edge of the cable).

WITHOUT BRAKE
R2AA06040FXH11M



Indicated performances refer to motor controlled by related new RS3 standard and EtherCat amplifiers.

1Φ torque curve with single phase power supply
3Φ = torque curve with three-phase power supply

WITH BRAKE
R2AA06040FCH11M



Suggested amplifiers: RS3A03A0AL0W00P, RS3A03A2HA4W00P, RS3A03A0AL2



R.T.A. s.r.l.
Via E. Mattei - Fraz. Divisa
27020 Marcignago (PV) (Italy)
T +39.0382.929.855
F +39.0382.929.150
www.rta.it

R.T.A. Deutschland GmbH
Bublitzter Strasse 34, 40599
Duesseldorf (Germany)
T +49.211.749.668.60
F +49.211.749.668.66
www.rta-deutschland.de

R.T.A. IBERICA
C/Generalitat 22, Local 1
08850 Gava - Barcelona (Spain)
T +34 936.388.805
F +34 936.334.595
www.rta-iberica.es

R.T.A. INDIA Pvt
Teerth Business Center 3rd Floor, Unit No. 7,
Block EL-15, MIDC Bhosari Pimpri-Chinchwad,
Pune 411026 (India)
Tel. +91 9422507445
www.rta-india.in