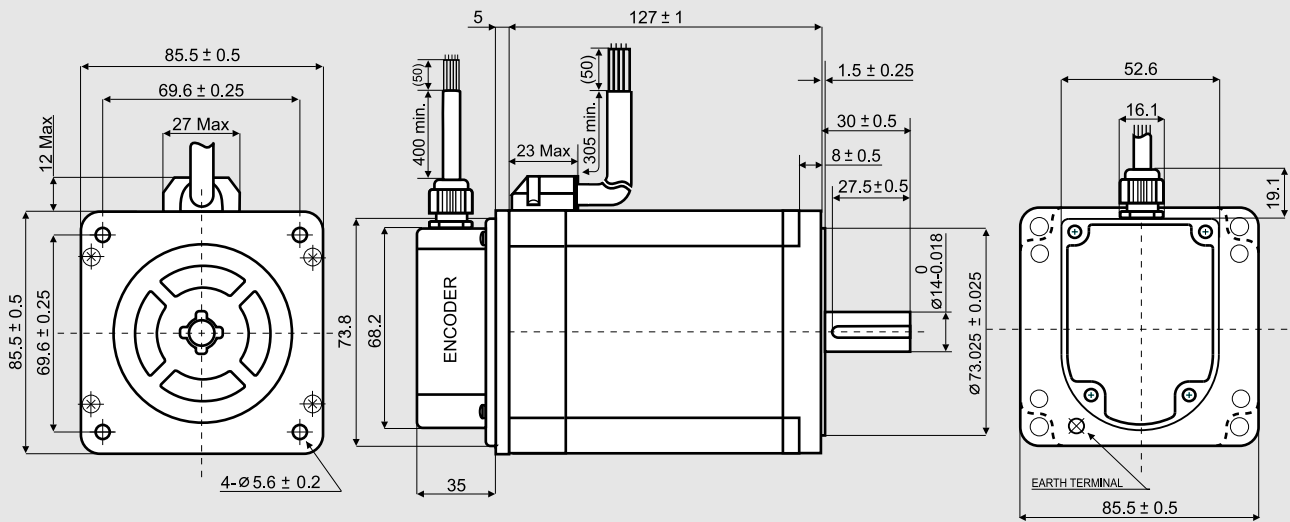


EM 3F3H-04SO

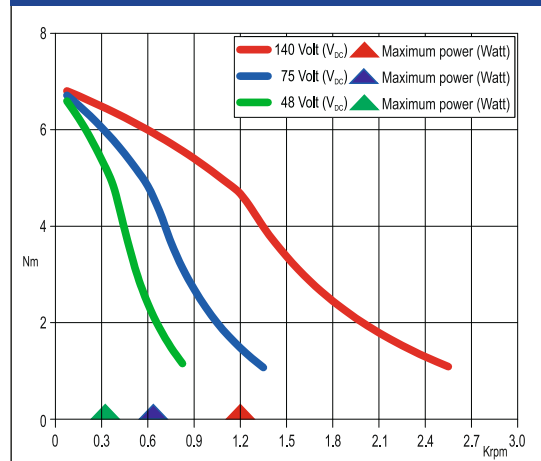
Dimensions (Unit:mm)



SANYO DENKI MOTOR FEATURES

MODEL	EM 3F3H-04SO
SANYO DENKI MOTOR CODE	SM 2863-5225
BASIC STEP ANGLE	1.8° ± 0.09°
BIPOLAR PARALLEL CURRENT	6.0 (Amp)
RESISTANCE	0.46 (Ohm)
INDUCTANCE	3.8 (mH)
BIPOLAR HOLDING TORQUE	920 (Ncm)
ROTOR INERTIA	4500 (Kg ^m × 10 ⁻⁷)
THEORETICAL ACCELERATION	20500 (rad × sec. ⁻²)
BACK E.M.F.	161 (V/Krpm)
MASS	4.1 (Kg)
INTERNATIONAL STANDARDS	UL, CSA
INSULATION VOLTAGE	250 VAC (350 VDC) (V)
PROTECTION DEGREE - INSULATION CLASS	IP43 - F
LEADS CODE	V

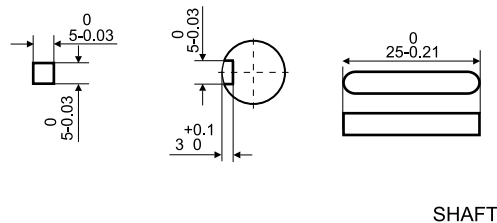
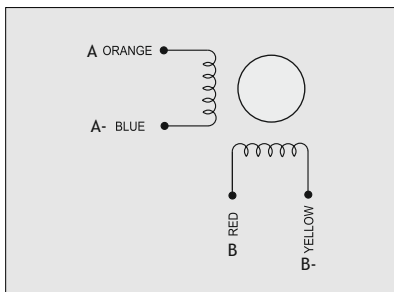
TORQUE/SPEED CURVE



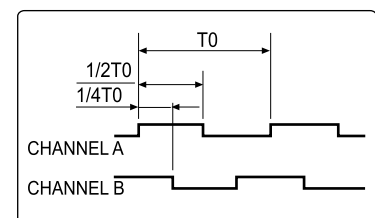
ENCODER FEATURES

POWER SUPPLY VOLTAGE	(Volt)	5 V _{DC} ± 5%
CURRENT CONSUMPTION	(mAmp)	35
HIGH LEVEL OUTPUT	(Volt)	3.4 (TIP) - 2.4 (MIN) (I _{max} =10 mA)
LOW LEVEL OUTPUT	(Volt)	0.2 (TIP) - 0.4 (MAX) (I _{max} =10 mA)
OUTPUT SIGNAL		Single Ended
RESOLUTION		400 cycles per revolution
MAXIMUM FREQUENCY	(KHz)	60

LEADS COLOR	ENCODER
BLUE	CHANNEL A
GREEN	CHANNEL B
BLACK	GND (0 V)
RED	+ DC (5 V)
SHIELD	



ENCODER OUTPUT WAVEFORM



R.T.A. s.r.l.
Via E. Mattei - Fraz- Divisa
27020 Marcignago (PV) (Italy)
T +39.0382.929.855
F +39.0382.929.150
www.rta.it

R.T.A. Deutschland GmbH
Bublitzter Strasse 34, 40599
Duesseldorf (Germany)
T +49.211.749.668.60
F +49.211.749.668.66
www.rta-deutschland.de

R.T.A. IBERICA
C/Generalitat 22, Local 1
08850 Gava - Barcelona (Spain)
T +34 936.388.805
F +34 936.334.595
www.rta-iberica.es

R.T.A. INDIA Pvt
Teerth Business Center 3rd Floor, Unit No. 7,
Block EL-15, MIDC Bhosari Pimpri-Chinchwad,
Pune 411026 (India)
Tel. +91 9422507445
www.rta-india.in