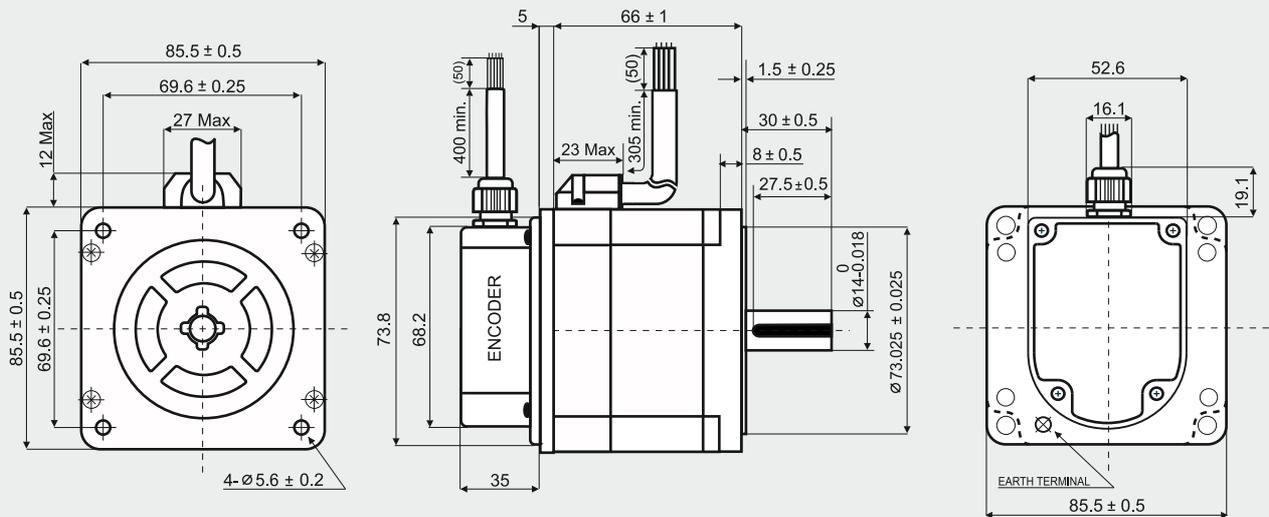


# EM 3F1L-04D0

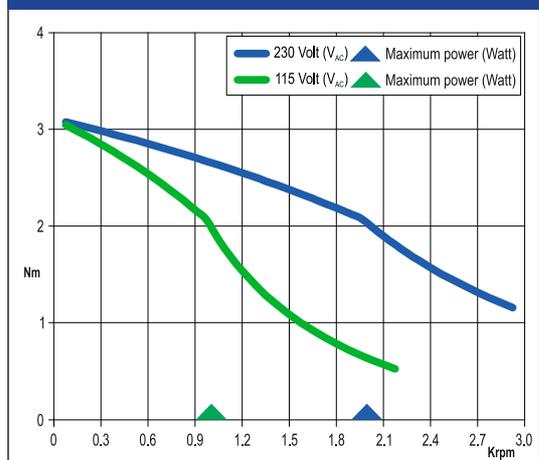
## Dimensions (Unit:mm)



## SANYO DENKI MOTOR FEATURES

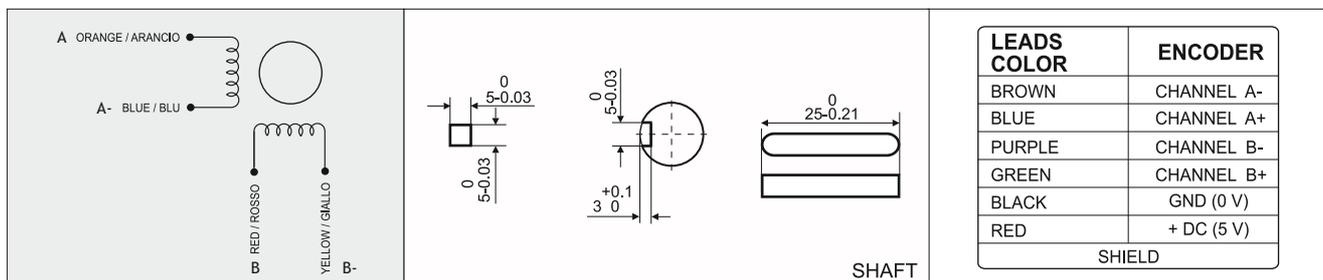
MODEL	EM 3F1L-04D0	
SANYO DENKI MOTOR CODE	SM 2861-5025	
BASIC STEP ANGLE	$1.8^\circ \pm 0.09^\circ$	
BIPOLAR PARALLEL CURRENT	(Amp)	2.0
RESISTANCE	(Ohm)	2.2
INDUCTANCE	(mH)	15
BIPOLAR HOLDING TORQUE	(Ncm)	360
ROTOR INERTIA	( $\text{Kgm}^2 \times 10^{-7}$ )	1480
THEORETICAL ACCELERATION	( $\text{rad} \times \text{sec.}^{-2}$ )	24300
BACK E.M.F.	(V/Krpm)	180
MASS	(Kg)	1.7
INTERNATIONAL STANDARDS	UL, CSA	
INSULATION VOLTAGE	(V)	250 VAC (350 VDC)
PROTECTION DEGREE - INSULATION CLASS	IP43 - F	
LEADS CODE	V	

## TORQUE/SPEED CURVE



## ENCODER FEATURES

POWER SUPPLY VOLTAGE	(Volt)	$5 V_{DC} \pm 5\%$
CURRENT CONSUMPTION	(mAmp)	40
HIGH LEVEL OUTPUT	(Volt)	3.4 (TIP) - 2.4 (MIN) ( $I_{MAX}=20 \text{ mA}$ )
LOW LEVEL OUTPUT	(Volt)	0.2 (TIP) - 0.4 (MAX) ( $I_{MAX}=20 \text{ mA}$ )
OUTPUT SIGNAL		Differential (SINGLE ENDED version available)
RESOLUTION		400 cycles per revolution (500 & 1000 CPR version available)
MAXIMUM FREQUENCY	(KHz)	60
INDEX VERSION		Available upon request



Suggested R.T.A. drive model: X-PLUS L2



R.T.A. s.r.l.  
Via E. Mattei - Fraz. Divisa  
27020 MARCIGNAGO (PV) ITALY  
Tel. +39.0382.929.855  
Fax +39.0382.929.150  
www.rta.it

R.T.A. Deutschland GmbH  
Bublitzer Straße 34  
40599 DÜSSELDORF (Germany)  
Tel. +49.211.749.668.60  
Fax +49.211.749.668.66  
www.rta-deutschland.de

R.T.A. IBERICA-Motion Control Systems S.L.  
C/Generalitat 22, Local 1.  
08850 GAVA - BARCELONA (Spain)  
Tel. +34.936.388.805  
Fax +34.936.334.595  
www.rta-iberica.es

R.T.A India Pvt  
Flat n. 201, Wind Residency  
Vishal Nagar, D.P. Road, Pimple Nilakh,  
411027 Pune (India)  
Tel. +91.9422507445  
www.rta-india.in